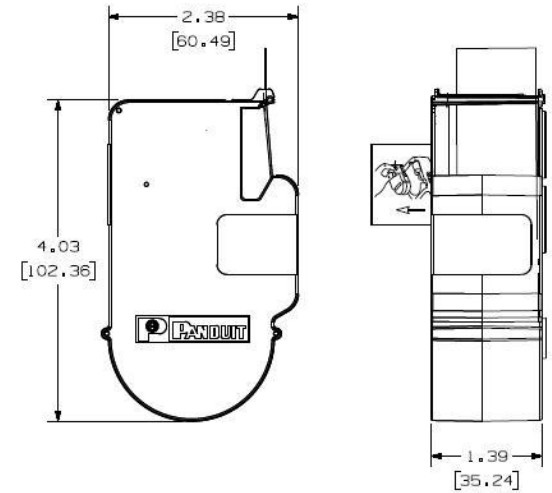
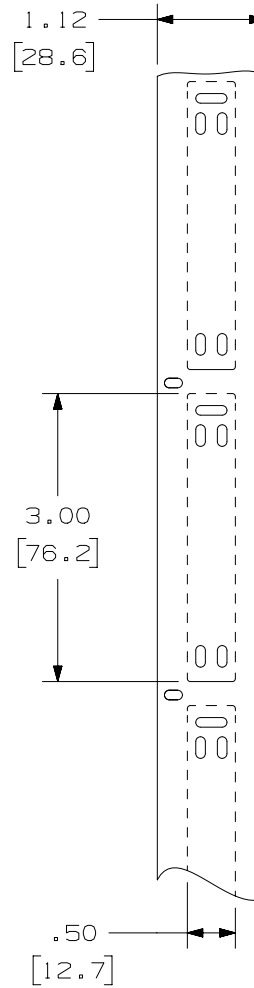


THIS COPY IS PROVIDED ON A RESTRICTED BASIS AND IS NOT TO BE USED IN ANY WAY DETRIMENTAL TO THE INTERESTS OF PANDUIT CORP.

PART NO.	COLOR	MATERIAL	LABEL PER ROLL
M300X050Y6C	YELLOW	GMH2 FILM LAM.	50
M300X050Y7C	WHITE		

NOTE:  
1. MILLIMETER ARE IN ( ).



REV	DATE	BY	CHK	APR	DESCRIPTION	ECN
1	1/8/17	RVU	JW	JHAC	REMOVE THE BLACK PRINTED TEXT ON THE FACE OF THE MATERIAL.	GAECN04454
0	7/28/08	RVU			DRAWING RELEASE.	5504

TITLE					<b>P1 MARKER PLATE</b>				
					CUSTOMER DRAWING				
ITEM REVISION NAME					100743SS/07				
DATASET FILE NAME					100743SS_DC_C10720/07B				
UNLESS OTHERWISE SPECIFIED, DIMENSIONAL TOLERANCES ARE: IN [ mm ]					<b>PANDUIT</b>				
.x ± .1 [ 2.54 ] .xxx ± .025 [ .635 ] .xx ± .05 [ 1.27 ] ANGLES ± 5 °									
DRAWN BY					DRAWING NUMBER:				
RVU					C10720				
DATE					SCALE				
7/28/08					NTS				
CHK					SHT 1 OF 1				
JHAC					A				
THIRD ANGLE PROJECTION									

D10100DA/20