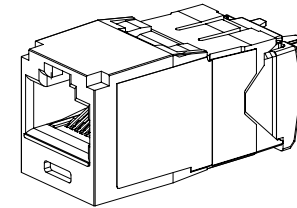
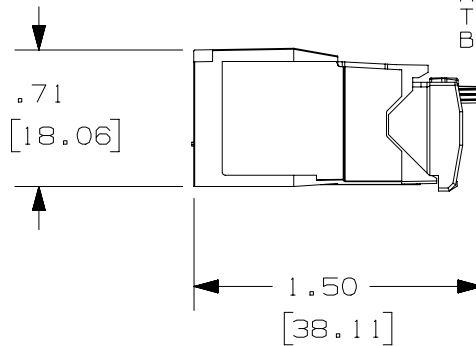
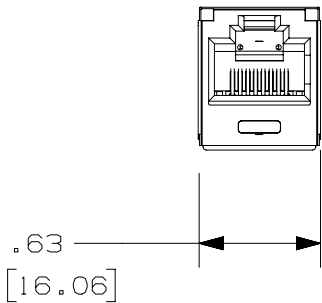
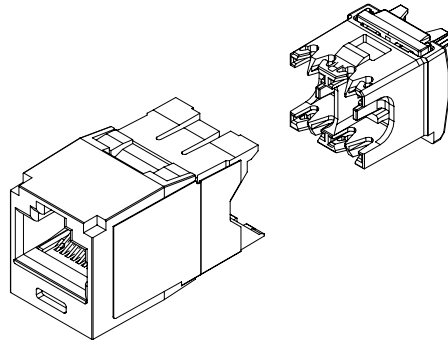


THIS COPY IS PROVIDED ON A RESTRICTED BASIS AND IS NOT TO BE USED IN ANY WAY DETRIMENTAL TO THE INTERESTS OF PANDUIT CORP.

NOTES:

1. VISIT OUR ON-LINE CATALOG AT WWW.PANDUIT.COM FOR A LIST OF CURRENT PARTS APPLICABLE FOR USE WITH THIS PRODUCT.
2. BLUE COLOR WIRE CAP ASSEMBLY DESIGNATES TIA CATEGORY 6A (ISO 11801 CLASS EA) PERFORMANCE.
3. TO DESIGNATE A JACK MODULE COLOR, ADD A TWO LETTER COLOR NUMBER SUFFIX. SEE CURRENT CATALOG FOR AVAILABLE PART NUMBER SUFFIXES TO INDICATE COLOR AND/OR PACKAGE QUANTITY.
4. ALL TX6A™ 10GIG™ CATEGORY 6A, 8 POSITION, 8 WIRE CONNECTOR MODULES ARE UNIVERSAL IN DESIGN. THEY ACCEPT ACCCEPT SIX AND EIGHT POSITION MODULAR PLUGS WITHOUT DAMAGE.
5. TERMINATES 22-26AWG SOLID OR STRANDED UTP CABLE UP AND DOWN VERTICALLY.
6. SEE INSTALLATION INSTRUCTION FOR PROPER TERMINATION METHOD.
7. WIRE CAP LABEL WHICH IS PART OF THE WIRE CAP ASSEMBLY IS CODED FOR T568A AND T568B WIRING SCHEME.
8. PART INCLUDES:
 - 1- MODULE HOUSING: ABS W/ UL94V-0 FLAME RATING.
 - 1- WIRE CAP ASSEMBLY: POLYCARBONATE W/ UL94V-0 FLAME RATING.
9. WEIGHT: 1.53 LBS/ 100 PCS (695 g/ 100 PCS).
10. DIMENSIONS IN [] ARE METRIC.
11. ALL MATERIALS AND COMPONENTS USED MEET THE MATERIAL RESTRICTIONS OF RoHS (EUROPEAN DIRECTIVE 2011/65/EU ON THE RESTRICTION OF HAZARDOUS SUBSTANCES) AS PROPOSED BY THE RoHS TECHNICAL ADAPTATION COMMITTEE.



PART NUMBER		CJ6X88TG**				
TITLE		TX6A™ 10GIG™ JACK MODULE WITH STRAIGHT WIRE CAP ASSEMBLY CUSTOMER DRAWING				
ITEM REVISION NAME		M01874BB/17				
DATASET FILE NAME		M01874BB_DC40/17A				
UNLESS OTHERWISE SPECIFIED, DIMENSIONAL TOLERANCES ARE: IN [mm]						
.x ± .xxx ± .010 [.3] .xx ± .03 [.8] ANGLES ±						
DRAWING NUMBER:		01874-40				
REV	DATE	BY	CHK	SCALE	SHT 1 OF 1	SIZE
				NONE		A

REV	DATE	BY	CHK	APR	DESCRIPTION	ECN
8	4/10/18	BJN	DCS	TMBA	UPDATED NOTES & TITLE BLOCK	01874-40
7	9/28/15	MDJR	REFR	FMS	A. UPDATED NOTE 3.	01874-40
6	6/17/14	JSP	REFR	EJH	REVISED AND REDRAWN, PREVIOUS REVISIONS HAVE BEEN OMITTED.	01874-40

D10100DA/14