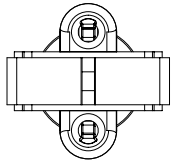
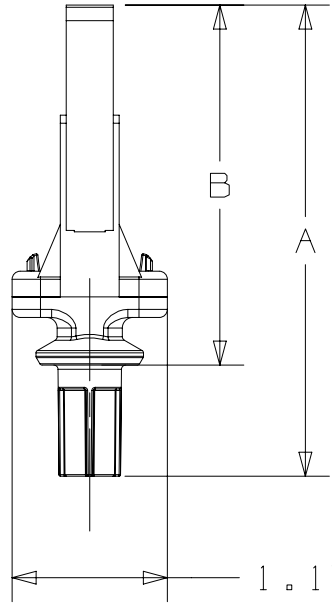
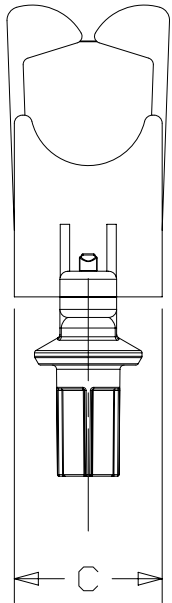


THIS COPY IS PROVIDED ON A RESTRICTED BASIS AND IS NOT TO BE USED IN ANY WAY DETRIMENTAL TO THE INTERESTS OF PANDUIT CORP.



P/N	'A' ± .02	'B' ± .02	'C' ± .02	MAX WIRE BUNDLE DIA.
QB-RER.5-X	3.20	2.42	.87	.5"
QB-RER.75-X	3.52	2.74	1.10	.75"
QB-RER1.25-X	4.19	3.40	1.59	1.25"



NOTES:

- HOLDS BUNDLES OF WIRES USING MOVEABLE GRIPS WITH ELASTIC SUPPORT WHICH ALSO AIDS IN BUNDLE REMOVAL.
- QB-RER COMPONENTS INSERT INTO QB-MOUNT-L TO PROVIDE A MODULAR HARNESS BOARD SYSTEM WHEN USED WITH QUICK-BUILD TILES (QB-TILE).
- SEE CUSTOMER PRICE SHEET FOR PART NUMBER SUFFIX DESIGNATION FOR PACKAGE SIZE.
- TABLE DIMENSIONS ARE IN INCHES.

PRODUCT SPEC	PACKAGING SPEC
PART NUMBER QB-RER.5; .75; 1.25	WORK INSTRUCTION
INSPECTION INSTRUCTION NUMBER	FMEA & CONTROL PLAN NUMBER

TITLE <b>QUICK BUILD ELASTIC BUNDLE RETAINER</b>	
CUSTOMER DRAWING	
ITEM REVISION NAME 14L203EE/04	<b>PANDUIT</b>
DATASET FILE NAME 14L203EE_DC/04	
UNLESS OTHERWISE SPECIFIED, DIMENSIONAL TOLERANCES ARE: IN [ mm ] .x ± .1 [ 2.54 ]      .xxx ± .005 [ .127 ] .xx ± .01 [ .25 ]      ANGLES ± 5 °	MATERIAL: <b>VARIOUS</b>
THIRD ANGLE PROJECTION	DRAWING NUMBER: 14L203EE_DC

0	2/7/17	DFA	DJW	JHAC	INITIAL RELEASE	GAECN03993
---	--------	-----	-----	------	-----------------	------------

REV	DATE	BY	CHK	APR	DESCRIPTION	ECN	DRAWN BY	DATE	CHK	SCALE	SHT 1 OF 1	SIZE
							DFA	2/7/17	JHAC	NONE		A

B



A

D10100DA/20