

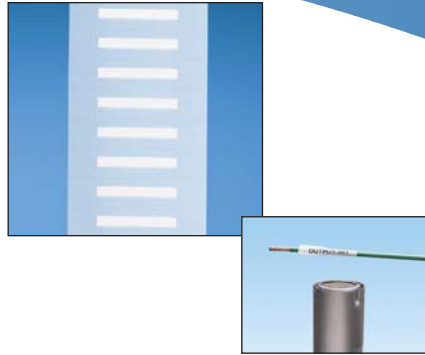
2-Sided Military Grade Printable Heat Shrink Labels

PANDUIT®

SPECIFICATION SHEET

specifications

2-sided printable heat shrink labels shall be pre-cut, heat shrinkable flattened polyolefin that shall readily accept thermal transfer print on either side of the label. The military grade product shall meet the material requirements and physical properties of AMS-DTL-23053/5C (Class 1 and Class 3). Product shall meet print performance of MIL-M-81531 and MIL-STD-883E, Notice 4 Method 2015.13 when printed with RMH4BL or RHR4BL series thermal transfer ribbons. Product shall pass UL 224 standard with a VW-1 for flammability.



technical information

Material:	Pre-cut, heat-shrinkable flattened polyolefin meets the material requirements and physical properties of AMS-DTL-23053/5C (Class 1 and Class 3); colors available – White (H1T) and Yellow (H2T)
Print method:	2-sided or 1-sided thermal transfer
Service temperature range:	-67°F to 275°F (-67°C to 135°C)
Shrink temperature:	194°F to 248°F (90°C to 120°C)
Print performance:	Product meets print performance of MIL-M-81531 and MIL-STD-883E, Notice 4 Method 2015.13, when printed with RMH4BL or RMR4BL series thermal transfer ribbons
Recommended ribbon:	Normal use: Hybrid – RMH4BL for TDP43MY series printer or RHH4BL-S for TDP4*HY series printer Most durable use: Resin – RMR4BL for TDP43MY series printer or RHR4BL-S for TDP4*HY series printers
Tested for nuclear plant (Class 1E) harsh environments:	Printed markers were subjected to radiation exposure, thermal aging and LOCA/MSLB environmental testing; test margins related to IEEE 323-2003 were used
RoHS compliance:	Material is RoHS compliant per European Directive 2002/95/EC on the Restriction of Hazardous Substances (RoHS)
Flammability:	Product passes UL 224 Standard, VW-1 for flammability

key features and benefits

2-sided printable sleeve	Enables legends and text to be printed on either side providing improved visibility to save time and reduce costs
Liner perforation	Allows heat shrink labels to be printed and removed individually speeding installation and reducing waste
Open end design	Wire/cable can be inserted directly into the label sleeve without the need for tools reducing assembly time
Durable material and print performance	Meets SAE-AMS-DTL-23053/5 Classes 1 and 3, and MIL-STD-883E providing assurance that labels are suitable for demanding harsh environment applications
Easy-Mark™ Labeling Software	Assist in the creation of optimum identifiers and labels for common application; features advanced importing and bar-coding capabilities enabling the generation of labels quickly, easily and with fewer errors resulting in reduced costs
Thermal transfer print technology	Provides crisp, clear, and durable legends for your reliable, high performance identification needs

applications

Panduit 2-sided military grade heat shrink labels are designed to meet the wire and cable labeling needs of organizations with high performance requirements. The labels are pre-cut, heat-shrinkable flattened polyolefin that readily accept thermal transfer print. These labels allow legends and text to be printed and read from two sides and feature an innovative liner perforation and open-end design to streamline printing and label installation.

Durable material construction and high performance thermal transfer print technology combine to deliver

printing performance and reliability for use in harsh environments. This solution provides a lower operating temperature, more durable label and printed legends that meet stringent Military standards and tests.

Panduit complete identification solutions include labels, printers, and labeling software that work seamlessly together to save time and reduce errors for effective identification throughout the physical infrastructure.

2-Sided Military Grade Heat Shrink Labels

Nominal Diameter Part Number

1/8" (3.1mm):	H100X025H1T-2 H100X025H2T-2 H200X025H1T-2 H200X025H2T-2
3/16" (4.7mm):	H100X034H1T-2 H100X034H2T-2 H200X034H1T-2 H200X034H2T-2
1/4" (6.3mm):	H100X044H1T-2 H100X044H2T-2 H200X044H1T-2 H200X044H2T-2
3/8" (9.5mm):	H100X064H1T-2 H100X064H2T-2 H200X064H1T-2 H200X064H2T-2
1/2" (12.7mm):	H100X084H1T-2 H100X084H2T-2 H200X084H1T-2 H200X084H2T-2
3/4" (19.0mm):	H100X122H1T-2 H100X122H2T-2 H200X122H1T-2 H200X122H2T-2
1" (25.4mm):	H100X165H1T-2 H100X165H2T-2 H200X165H1T-2 H200X165H2T-2

Labeling Software

Easy-Mark™ Labeling Software: PROG-EMCD3

CAD-Connect™ Labeling Software: PROG-CCCD

Thermal Transfer Desktop Printers

Medium Volume 300 DPI: TDP43MY

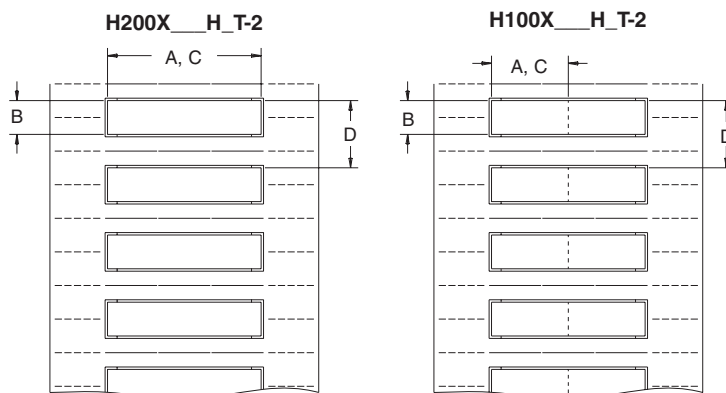
High Volume 200 DPI: TDP42HY
300 DPI: TDP43HY
600 DPI: TDP46HY

2-Sided Military Grade Printable Heat Shrink Labels

Diameter	White Color Part Number	Yellow Color Part Number	Description	Width A	Height B	Horizontal Repeat C	Vertical Repeat D	Labels per Row	Labels per Roll	Min. Cable O.D.	Max. Cable O.D.
1/8" (3.1mm)	H100X025H1T-2‡	H100X025H2T-2‡	1/8" (3.1mm) 2-Sided Military Grade Heat Shrink Label	1.00" (25.4mm)	0.25" (6.4mm)	1.00" (25.4mm)	.63" (15.9mm)	2	1000	0.04" (1.0mm)	0.13" (3.3mm)
1/8" (3.1mm)	H200X025H1T-2‡	H200X025H2T-2‡	1/8" (3.1mm) 2-Sided Military Grade Heat Shrink Label	2.00" (50.8mm)	0.25" (6.4mm)	N/A	.63" (15.9mm)	1	500	0.04" (1.0mm)	0.13" (3.3mm)
3/16" (4.7mm)	H100X034H1T-2‡	H100X034H2T-2‡	3/16" (4.7mm) 2-Sided Military Grade Heat Shrink Label	1.00" (25.4mm)	0.34" (8.6mm)	1.00" (25.4mm)	.75" (19.0mm)	2	1000	0.06" (1.5mm)	0.19" (4.8mm)
3/16" (4.7mm)	H200X034H1T-2‡	H200X034H2T-2‡	3/16" (4.7mm) 2-Sided Military Grade Heat Shrink Label	2.00" (50.8mm)	0.34" (8.6mm)	N/A	.75" (19.0mm)	1	500	0.06" (1.5mm)	0.19" (4.8mm)
1/4" (6.3mm)	H100X044H1T-2‡	H100X044H2T-2‡	1/4" (6.3mm) 2-Sided Military Grade Heat Shrink Label	1.00" (25.4mm)	0.44" (11.1mm)	1.00" (25.4mm)	.88" (22.2mm)	2	1000	0.08" (2.0mm)	0.25" (6.3mm)
1/4" (6.3mm)	H200X044H1T-2‡	H200X044H2T-2‡	1/4" (6.3mm) 2-Sided Military Grade Heat Shrink Label	2.00" (50.8mm)	0.44" (11.1mm)	N/A	.88" (22.2mm)	1	500	0.08" (2.0mm)	0.25" (6.3mm)
3/8" (9.5mm)	H100X064H1T-2‡	H100X064H2T-2‡	3/8" (9.5mm) 2-Sided Military Grade Heat Shrink Label	1.00" (25.4mm)	0.64" (16.2mm)	1.00" (25.4mm)	1.00" (25.4mm)	2	1000	0.16" (4.0mm)	0.38" (9.6mm)
3/8" (9.5mm)	H200X064H1T-2‡	H200X064H2T-2‡	3/8" (9.5mm) 2-Sided Military Grade Heat Shrink Label	2.00" (50.8mm)	0.64" (16.2mm)	N/A	1.00" (25.4mm)	1	500	0.16" (4.0mm)	0.38" (9.6mm)
1/2" (12.7mm)	H100X084H1T-2‡	H100X084H2T-2‡	1/2" (12.7mm) 2-Sided Military Grade Heat Shrink Label	1.00" (25.4mm)	0.84" (21.3mm)	1.00" (25.4mm)	1.13" (28.6mm)	2	1000	0.17" (4.3mm)	0.50" (12.7mm)
1/2" (12.7mm)	H200X084H1T-2‡	H200X084H2T-2‡	1/2" (12.7mm) 2-Sided Military Grade Heat Shrink Label	2.00" (50.8mm)	0.84" (21.3mm)	N/A	1.13" (28.6mm)	1	500	0.17" (4.3mm)	0.50" (12.7mm)
3/4" (19.0mm)	H100X122H1T-2	H100X122H2T-2	3/4" (19.0mm) 2-Sided Military Grade Heat Shrink Label	1.00" (25.4mm)	1.22" (31.0 mm)	1.00" (25.4mm)	1.71" (43.4mm)	2	500	0.25" (6.3mm)	0.75" (19.0mm)
3/4" (19.0mm)	H200X122H1T-2	H200X122H2T-2	3/4" (19.0mm) 2-Sided Military Grade Heat Shrink Label	2.00" (50.8mm)	1.22" (31.0 mm)	N/A	1.71" (43.4mm)	1	250	0.25" (6.3mm)	0.75" (19.0mm)
1.00" (25.4mm)	H100X165H1T-2	H100X165H2T-2	1" (25.4mm) 2-Sided Military Grade Heat Shrink Label	1.00" (25.4mm)	1.65" (41.9mm)	1.00" (25.4mm)	2.13" (53.9mm)	2	500	0.33" (8.38mm)	1.00" (25.4mm)
1.00" (25.4mm)	H200X165H1T-2	H200X165H2T-2	1" (25.4mm) 2-Sided Military Grade Heat Shrink Label	2.00" (50.8mm)	1.65" (41.9mm)	N/A	2.13" (53.9mm)	1	250	0.33" (8.38mm)	1.00" (25.4mm)

Standard Package Quantity is 1 Roll.

‡Available in bulk, to order bulk package (5 x standard package quantity), add -B to the end of the part number.



Dimensions are in inches (Dimensions in parenthesis are metric)

WORLDWIDE SUBSIDIARIES AND SALES OFFICES

PANDUIT CANADA
Markham, Ontario
cs-cdn@panduit.com
Phone: 800.777.3300

PANDUIT EUROPE LTD.
London, UK
cs-emea@panduit.com
Phone: 44.20.8601.7200

PANDUIT SINGAPORE PTE. LTD.
Republic of Singapore
cs-ap@panduit.com
Phone: 65.6305.7575

PANDUIT JAPAN
Tokyo, Japan
cs-japan@panduit.com
Phone: 81.3.6863.6000

PANDUIT LATIN AMERICA
Jalisco, Mexico
cs-la@panduit.com
Phone: 52.33.3777.6000

PANDUIT AUSTRALIA PTY. LTD.
Victoria, Australia
cs-aus@panduit.com
Phone: 61.3.9794.9020

For a copy of Panduit product warranties, log on to www.panduit.com/warranty

For more information

Visit us at www.panduit.com

Contact Customer Service by email: cs@panduit.com
or by phone: 800-777-3300 and reference IDSP15

PANDUIT®

©2010 Panduit Corp.
ALL RIGHTS RESERVED.

WW-IDSP15

3/2010