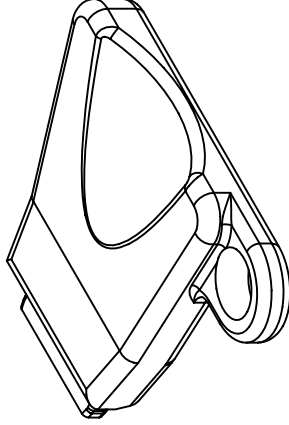
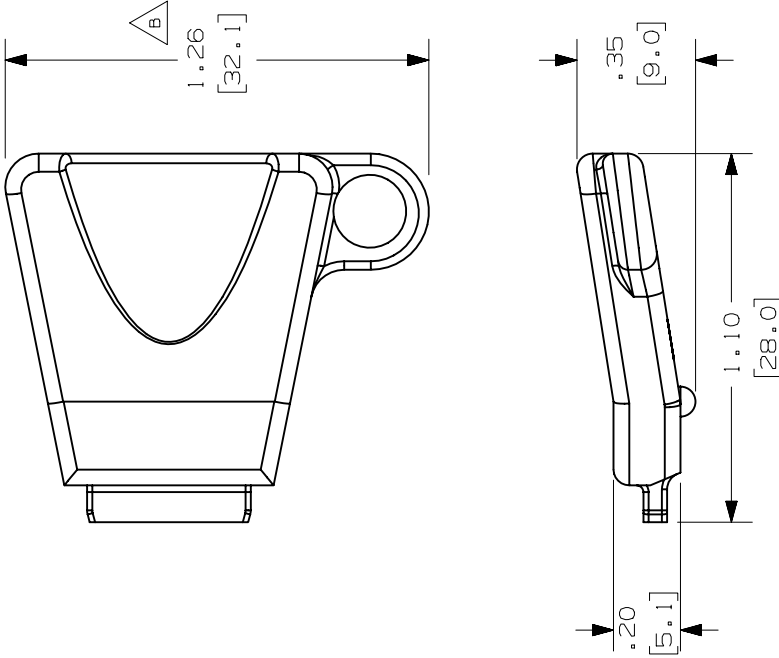


THIS COPY IS PROVIDED ON A RESTRICTED BASIS AND IS NOT TO BE USED IN ANY WAY DETRIMENTAL TO THE INTERESTS OF PANDUIT CORP.

PANDUIT P/N	WEIGHT
CJT	.0066 LB/50 PCS (3.02g/50 PCS)

- NOTES:
- SEE CURRENT CATALOG FOR ADDITIONAL PART NUMBER SUFFIXES TO INDICATE COLOR AND OR PACKAGE QUANTITY.
 - DIMENSIONS IN PARENTHESES ARE IN METRIC.



CAD FILENAME/LAYERS D35071CD_CJT_000

PANDUIT

CAT. 3 AND CAT. 5E JACK TERMINATION TOOL
 CUSTOMER DRAWING (CJT)

UNLESS OTHERWISE SPECIFIED, DIMENSIONAL TOLERANCES ARE:
 (.X) ± (.XXX) ±
 (.XX) ± .03 (.8) ANGLES ±

UNLESS OTHERWISE SPECIFIED, ALL DIMENSIONS ARE GIVEN IN INCHES, THIRD ANGLE PROJECTION.

REV	DATE	BY	CHK	DESCRIPTION	ECN	CHK	CUST	SUP	
2	6-27-00	LZ		UPDATED TO REFLECT PART AS MOLDED B. DIM WAS .97 [24.7] CAD MODEL	35071-33				
1	11-11-99	JSP	CEF	A. REVISED TITLE.	35071-33	CEF			
R	1-30-96	JBA	CEF	RELEASED TO PRODUCTION.	35071-33	CEF			
DRAWN BY JBA					MATERIAL: NYLON		SCALE NONE		
DATE 1-30-96					DRAWING NO. 35071-33		DWG SIZE A		
CHECKED BY CEF									