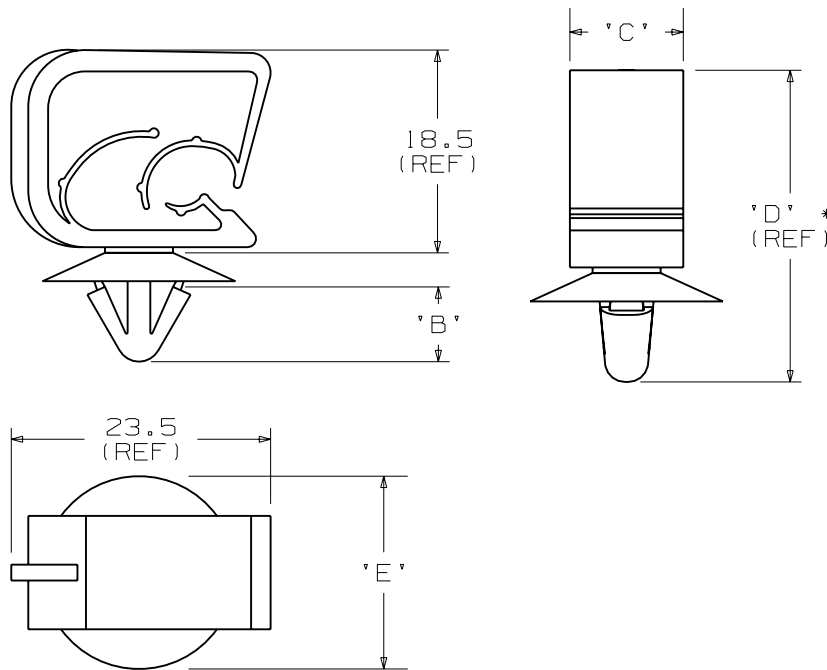


THIS COPY IS PROVIDED ON A RESTRICTED BASIS AND IS NOT TO BE USED IN ANY WAY DETRIMENTAL TO THE INTERESTS OF PANDUIT CORP.

PANDUIT PART NO.	BUNDLE DIA MIN - MAX.	DIMENSIONS				MATERIAL	COLOR	WEIGHT grams 100 pcs
		'B'	'C'	'D'	'E'			
HCMU04C13-...20	4 - 13	5.7	10.0	26.7	19	NYLON 6/6	SCHWARZ black	180
HCMU04C13-...469						NYLON 4/6	NATUR natural	



NOTES:

1. SEE CURRENT PRICE SHEET FOR PART NUMBER SUFFIX DESIGNATION FOR PACKAGE SIZE, AND COLOR.
2. (\*) DIMENSIONAL VARIANCE IS POSSIBLE DUE TO MOLDING PROCESS RELATED SINK MARKS.
3. APPLICATION SPECIFICATION:  
HOLE DIAMETER: 6.3 - 6.6 mm  
PANEL THICKNESS: 0.8 - 2.3 mm

CAD FILENAME/LAYERS G01932BB\_PB\_HCMU04C13\_07

**PANDUIT** CORP. TINLEY PARK, ILLINOIS

HARNESS CLIP WITH PUSH  
MOUNT ANCHOR AND UMBRELLA

UNLESS OTHERWISE SPECIFIED, ALL  
DIMENSIONS ARE METRIC  
TOLERANCE: ±0.5 mm

DRAWN BY CGSM

MAT'L:

SCALE 1.5X

DATE 2-17-98

SEE TABLE

DRAWING NO.

GB1932BB

DWG  
SIZE  
A

SCALE: FULL

REV	DATE	BY	CHK	DESCRIPTION	ECN	R	CUST	SUP
7	3-3-06	TMSA		REVISED DIM "D" FROM 27.6	GB1932BB	7		