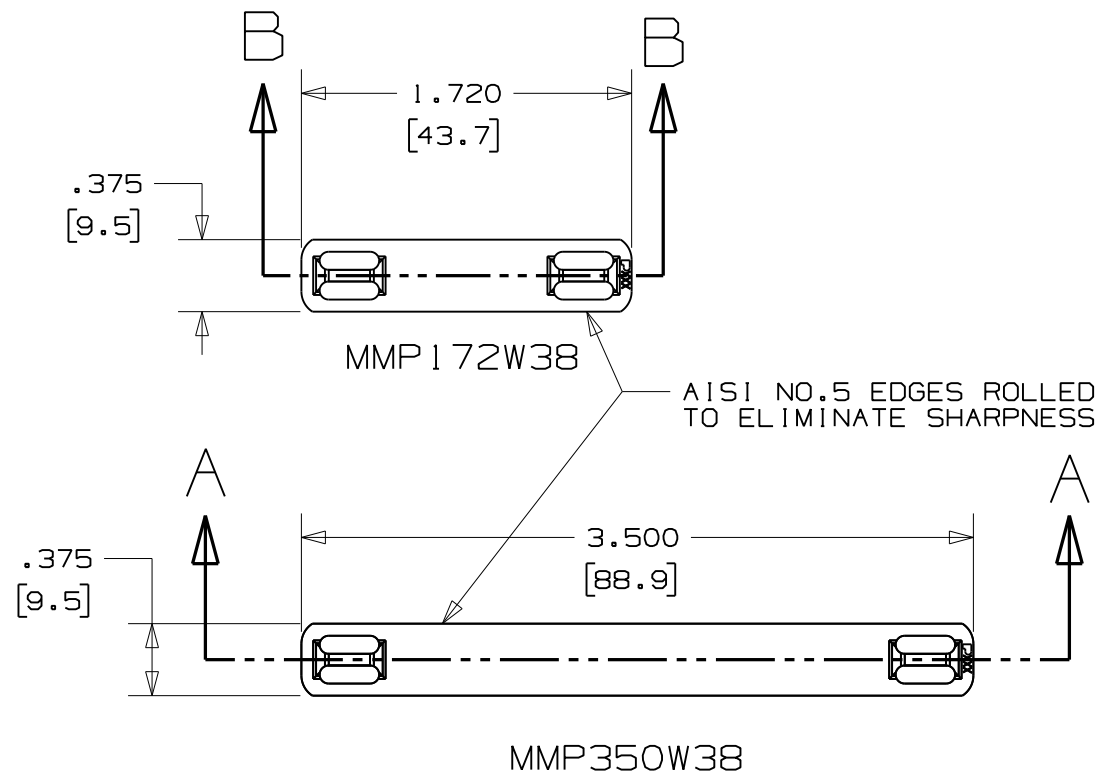


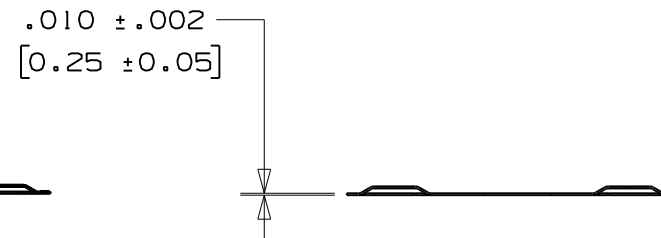
THIS COPY IS PROVIDED ON A RESTRICTED BASIS AND IS NOT TO BE USED IN ANY WAY DETRIMENTAL TO THE INTERESTS OF PANDUIT CORP.



PART NUMBER	MATERIAL	PACKAGING QTY.
MMP350W38-C	304 SS	100
MMP350W38-C316	316 SS	100
MMP172W38-C	304 SS	100
MMP172W38-C316	316 SS	100



SECTION A - A
SCALE 1:1



SECTION B - B
SCALE 1:1

NOTES:

1. DIMENSIONS IN () ARE mm.
2. CUSTOM PERMANENT MARKING AVAILABLE. CONSULT FACTORY.
3. USE WITH STD. CROSS SECTION MLT'S.
4. TOLERANCE (UNLESS OTHERWISE SPECIFIED):
 .XXX = ±.020(.5)
 .XX = ±.03(.8)

				CAD FILENAME/LAYERS		N10843BA_DC/00A	
				<h1>PANDUIT</h1> CORP TINLEY PARK, ILLINOIS			
				3/8 WIDE MARKER PLATES CUSTOMER DRAWING			
				UNLESS OTHERWISE SPECIFIED, DIMENSIONAL TOLERANCES ARE: (.XX) ±N/A (.XXXX) ±N/A (.XXX) ±N/A ANGLES ±N/A		UNLESS OTHERWISE SPECIFIED, ALL DIMENSIONS ARE GIVEN IN INCHES, THIRD ANGLE PROJECTION	
				DRAWN BY JMMR	MAT'L: N/A		SCALE FULL
00A	9/07	JMMR	SKB	RELEASED		DATE 9/28/07	DRAWING NO. N10843BA_DC
REV	DATE	BY	CHK	DESCRIPTION		CHK'D SKB	DWG B SIZE