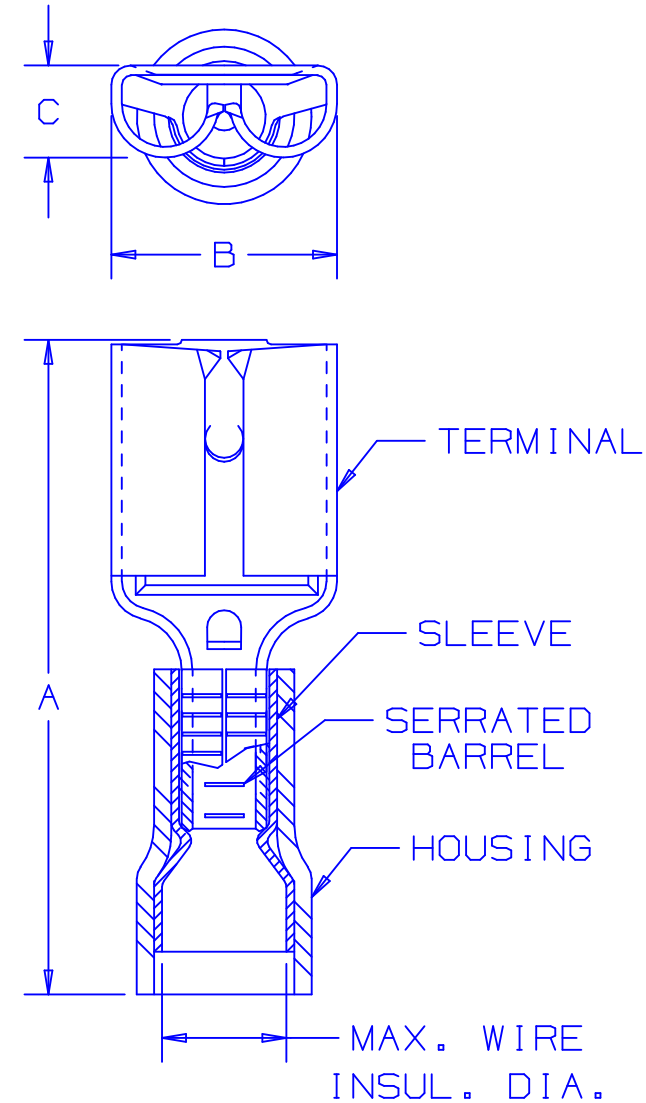



PART #		TAB SIZE	WIRE RANGE mm <sup>2</sup>	MAX. INSUL. DIA.	DIMENSIONS mm			HOUSING COLOR
PREFIX	PK				A ±0,38	B ±0,25	C ±0,25	
DMNF1-63	-C -M	6,35 X 0,81 (.250 X .032)	0,5-1,5	3,58 (.14)	20,70 (.81)	7,37 (.29)	3,05 (.12)	RED
DMNF2-63	-C -M	6,35 X 0,81 (.250 X .032)	1,5-2,5	4,22 (.17)	21,08 (.83)	7,37 (.29)	3,05 (.12)	BLUE



NOTES:

- USED FOR:
  - A. 300V. MAX. VOLTAGE RATING
  - B. STRANDED COPPER WIRE ONLY
  - C. 105° C (221° F) MAX. TEMP. RATING
- MATERIAL:
  - A. STAMPING - 0,41mm (.02) THK BRASS, TIN PLATED
  - B. HOUSING - NYLON
  - C. SLEEVE - BRASS, TIN PLATED
- FIRST INSERTION FORCE - 53 N (12 LB.) MAX  
 FIRST WITHDRAWAL FORCE - 53 N (12 LB.) MAX  
 27 N (6 LB.) MIN
- DIMENSIONS IN BRACKETS ARE IN INCHES
- PACKAGE QTY:
  - A. STD: C=100
  - B. BULK: M=1000
- WIRE STRIP LENGTH:  $7,1 \begin{smallmatrix} +,8 \\ -0 \end{smallmatrix}$  ( $9/32 \begin{smallmatrix} +1/32 \\ -0 \end{smallmatrix}$ )
- INSTALLATION TOOLS: REF. DWGS. A41522, A41523, A41524, A41525

A41449\_04

04	7/03	KLFU		ADDED INTERNAL SERRATIONS				 CORP. TINLEY PARK, ILLINOIS NYLON INSULATED FEMALE METRIC DISCONNECT FUNNELED WIRE ENTRY (6,3mm X 0,8mm TAB SIZE)
03	10/97	TM	WJB	CHANGED DECIMAL POINTS TO COMMAS	06433	LA	DH	
02	1/97	TM	RLS	UPDATE DIMENSIONS FILESPEC WAS NPC_A41449_01	05478	LA	DH	
01	4/94	SM	JW	REMOVED CURL FLOOR SLOTS	02215	LA	TJM	
REV	DATE	BY	CHK	DESCRIPTION	ECN #	CUST	PM	