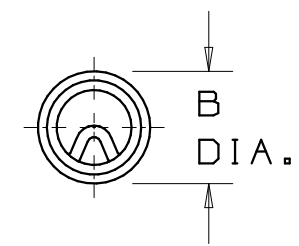
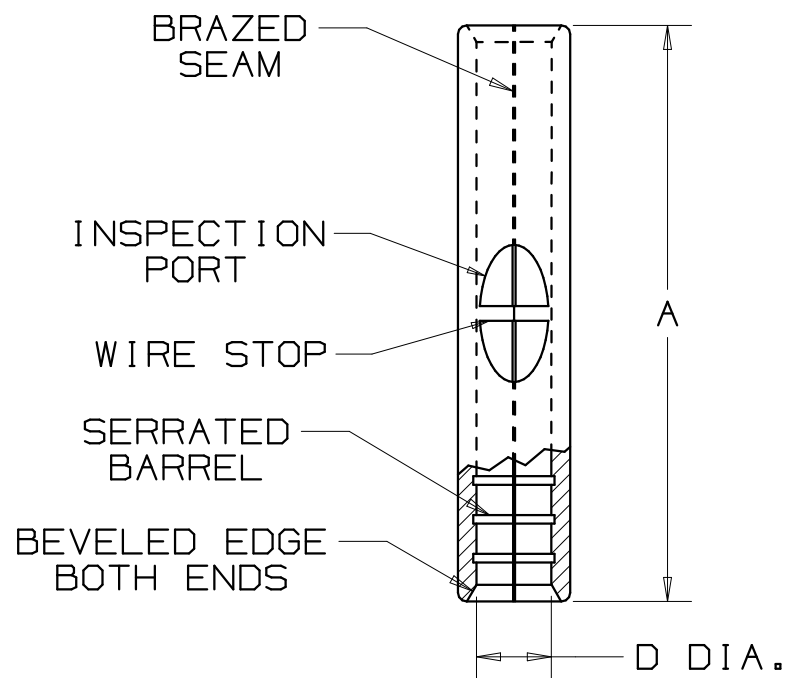


PANDUIT PART #		WIRE SIZE mm ²	DIMENSIONS mm		
PREFIX	PK		A ±0,51	B DIA. ±0,25	D DIA. ±0,25
BSM1	-X -C -M	0,5-1,5	15,7 (.62)	3,3 (.13)	1,5 (.06)
BSM2	-X -C -M	1,5-2,5	15,7 (.62)	4,1 (.16)	2,3 (.09)
BSM6	-X -L -D	2,5-6,0	18,2 (.72)	5,6 (.22)	3,3 (.13)



NOTES:

- USED FOR:
A. SOLID OR STRANDED COPPER WIRE
- MATERIAL:
A. STAMPING - (0,5-1,5 & 1,5-2,5) - 0,81mm (.03) THK COPPER, TIN PLATED
B. STAMPING - (2,5-6,0) - 1,02mm (.04) THK COPPER, TIN PLATED
- DIMENSIONS IN BRACKETS ARE IN INCHES
- PACKAGE QTY:
A. -X =10, -L =50, -C =100, -D =500, -M =1000
- WIRE STRIP LENGTH: $7,1 \begin{matrix} +,8 \\ -0 \end{matrix}$ ($9/32 \begin{matrix} +1/32 \\ -0 \end{matrix}$)
- INSTALLATION TOOLS: REF. DWGS. A41522, A41523, A41524, A41525



05	2/07	DAW	DAW	BSM1 0,5-1,5 WIRE RANGE WAS 0,5-1,0 BSM6 2,5-6,0 WIRE RANGE WAS 4,0-6,0	TR00222	LCA	TRO
04	10/06	DAW	DAW	ADDED -X PACKAGE QTY.	TR00171	LCA	TRO
03	02/06	DAW	DAW	BSM6 "A" DIM WAS 16.0 (.63)	TR00088	LCA	TRO
02	2/01	EJS		WIRE RANGE FOR BSM1 WAS 0,5-1,5. BSM6 WAS 2,5-6,0, UPDATED WIRE RANGE IN NOTE 2	09132	JAC	TRO
--	--	--	--	UPDATED WIRE STOPS, DIMS.	--	--	--
01	10/97	TM	WJB	CHANGED DECIMAL POINTS TO COMMAS	06435	LA	DH
REV	DATE	BY	CHK	DESCRIPTION	ECN #	CUST	PM

A41443_05



TINLEY PARK, ILLINOIS

NON-INSULATED METRIC BUTT SPLICES

DRAWN BY	BDK	CHK'D	SCALE	NONE	DRAWING NO.	A41443
----------	-----	-------	-------	------	-------------	--------