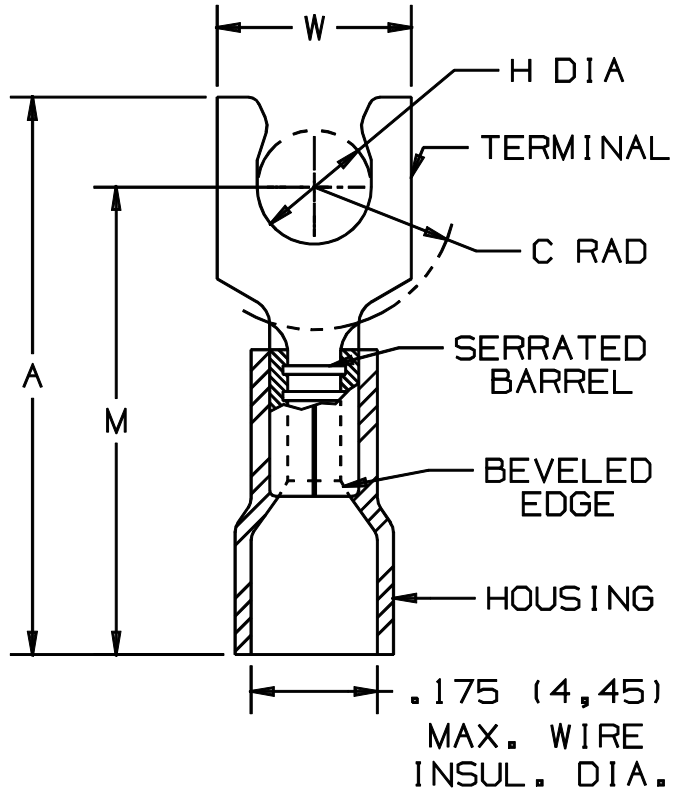


THIS COPY IS PROVIDED ON A RESTRICTED BASIS AND IS NOT TO BE USED IN ANY WAY DETRIMENTAL TO THE INTERESTS OF PANDUIT CORP.

PANDUIT PART NUMBER	STUD SIZE	DIMENSIONS in.				
		A $\pm .020$	W $\pm .010$	C $\pm .015$	M $\pm .020$	H $\pm .010$
PV14-5SLF	#5	.80 (20,32)	.25 (6,35)	.22 (5,59)	.69 (17,53)	.12 (3,05)
PV14-6SLF	#6	.80 (20,32)	.25 (6,35)	.22 (5,59)	.69 (17,53)	.14 (3,56)
PV14-8SLF	#8	.85 (21,59)	.29 (7,37)	.26 (6,60)	.74 (18,80)	.16 (4,06)
PV14-10SLF	#10	.86 (21,84)	.33 (8,38)	.26 (6,60)	.74 (18,80)	.19 (4,83)
PV14-14SLF	1/4"	.95 (24,13)	.44 (11,18)	.33 (8,38)	.80 (20,32)	.25 (6,35)



NOTES:

- RECOMMENDED FOR:
 - 300V. MAX. VOLTAGE RATING
 - #16-14 AWG STRANDED COPPER WIRE
 - 221° F (105° C) MAX. TEMP. RATING
- MATERIAL:
 - STAMPING - .03" (.762) THK COPPER, TIN PLATED
 - HOUSING - VINYL, BLUE
- PACKAGE QTY: STD. PKG. 100
BULK PKG. 1000
- DIMENSIONS IN BRACKETS ARE IN MILLIMETERS
- INSTALLATION TOOLS:
 - PANDUIT APPROVED: CT-400, CT-460

A41246_04

4	10-00	EJS		UPDATED STANDARD PACKAGE QUANTITY TO 100,						PANDUIT CORP. TINLEY PARK, ILLINOIS #16-14 BARREL FUNNELED VINYL INSULATED SHORT LOCKING FORK, .175 (4,45) MAX. WIRE INSULATION DIAMETER		
				REMOVED CT-510, FILE NAME WAS A41246A								
3	7-88	DW		REDRAWN WITH REVISIONS								
REV	DATE	BY	CHK	DESCRIPTION	QA	CUST	PM	APP	DRAWN BY DAW	CHK'D CJH	SCALE NONE	DRAWING NO. A41246