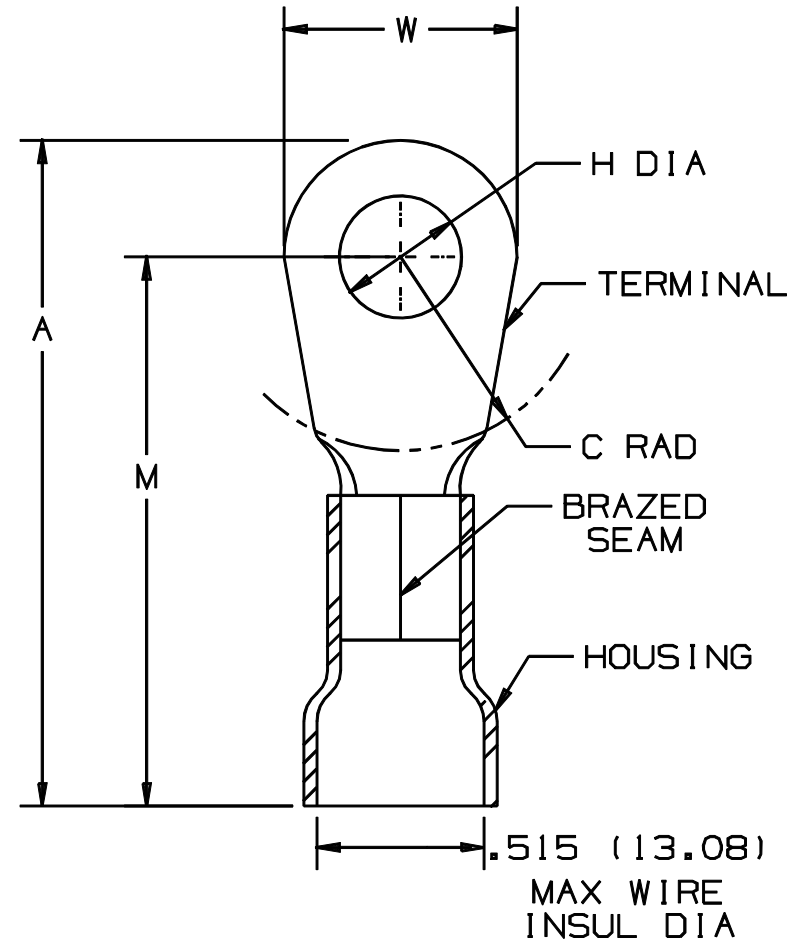


THIS COPY IS PROVIDED ON A RESTRICTED BASIS AND IS NOT TO BE USED IN ANY WAY DETRIMENTAL TO THE INTERESTS OF PANDUIT CORP.

| PANDUIT PART NUMBER | STUD SIZE | DIMENSIONS in. | | | | |
|---------------------|-----------|-----------------|----------------|----------------|-----------------|----------------|
| | | A $\pm .03$ | W $\pm .01$ | C $\pm .02$ | M $\pm .03$ | H $\pm .01$ |
| PV4-10RX | #10 | 1.87 (47.5) | .55 (13.97) | .53 (13.46) | 1.60 (40.64) | .20 (5.08) |
| PV4-14RX | 1/4" | 1.87 (47.5) | .55 (13.97) | .53 (13.46) | 1.60 (40.64) | .27 (6.86) |
| PV4-56RX | 5/16" | 1.94 (49.28) | .68 (17.27) | .53 (13.46) | 1.60 (40.64) | .33 (8.38) |
| PV4-38RX | 3/8" | 1.94 (49.28) | .68 (17.27) | .53 (13.46) | 1.60 (40.64) | .39 (9.91) |
| PV4-12RX | 1/2" | 2.03 (51.56) | .86 (21.84) | .53 (13.46) | 1.60 (40.64) | .52 (13.21) |



NOTES:

- UL LISTED FOR:
 - 600V MAX VOLTAGE RATING
 - 221° F (105° C) MAX TEMP RATING
 - #4 AWG STRANDED COPPER WIRE
- PACKAGE QTY: STD. PKG. 20
BULK PKG. 200
- MATERIAL:
 - STAMPING - .050" (1.27) THK COPPER, TIN PLATED
 - HOUSING - VINYL, YELLOW
- DIMENSIONS IN BRACKETS ARE IN MILLIMETERS
- INSTALLATION TOOL: CT-720
- WIRE STRIP LENGTH: 1/2 $\pm .003$ (12.7 $\pm .08$)



A41221_04

| 04 | 1/01 | KMD | | CAD FILE SPEC. WAS N41221AA_PCD_03 | | | | | <p>TINLEY PARK, ILLINOIS</p> <p>#4 VINYL INSULATED RING TONGUE .515 (13.08) MAX. WIRE INSUL. DIAMETER</p> | |
|-----|------|-----|-----|------------------------------------|-------|------|----|----------|---|-------------|
| 03 | 2-95 | MJC | | UPDATED NOTES AND TOLERANCES | 02996 | | | | | |
| 02 | 7-88 | DW | | REDRAWN WITH REVISIONS | | | | | | |
| REV | DATE | BY | CHK | DESCRIPTION | ECN # | CUST | PM | DRAWN BY | SCALE | DRAWING NO. |
| | | | | | | | | DAW | NONE | A41221 |