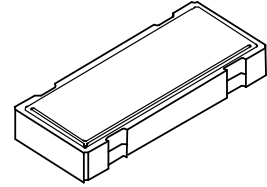




Pletronics, Inc.

19013 36th Ave. W, Suite H • Lynnwood, WA 98036 USA
 Manufacturer of High Quality Frequency Control Products

SM23C Crystal



4 Pad 11.6x5.5mm Surface Mount Crystal (Ceramic Cover /Ceramic Base)

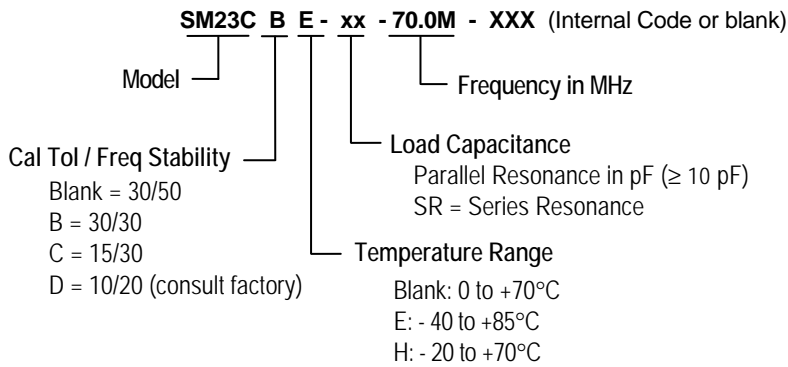
3.570 MHz – 120.000 MHz

Standard Specifications

Calibration Frequency Tolerance at 25°C	± 30 PPM is standard, tighter tolerances available
Operating Temperature Range (OTR)	0 to +70°C is standard, but can be extended to -40 to +85°C
Frequency Stability (FS) over OTR	± 50 PPM is standard, tighter tolerances available
Drive Level	100 mW is standard, customer may specify
Aging at 25°C	± 5 PPM maximum

Part Numbering Guide

Portions of the part number that appear after the frequency may not be marked on part (C of C provided)



ESR Values

Oscillation Mode	Frequency Range (MHz)	Maximum ESR (Ohms)
Fundamental AT Cut	3.570 – 3.999	200
	4.000 – 5.999	150
	6.000 – 8.999	100
	9.000 – 12.999	60
	13.000 – 27.000	40
3rd Overtone AT Cut	27.001 – 120.000	80

Consult factory for lower ESR

Consult factory for available frequencies and specs.

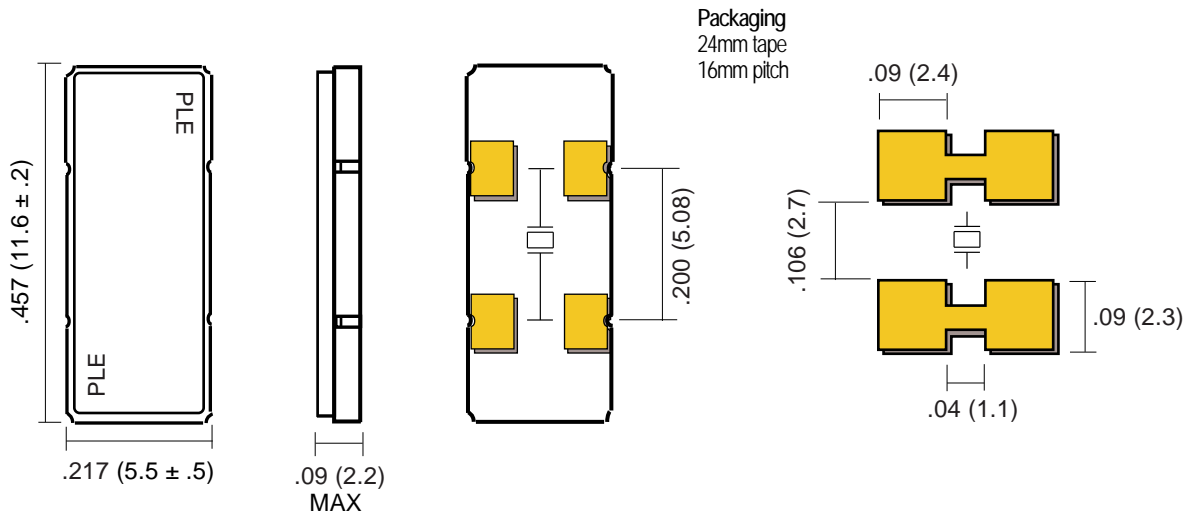
Not all options available for all frequencies. A special part number may be assigned.

Mechanical: inches (mm)

not to scale

Solder Pads

Due to part size and factory abilities, part marking may vary from lot to lot and may contain our part number or an internal code.



Sep 2003