

UM 56-RELAY High Current Relay Module

Data Sheet 1093A

January 2000

Features

- 56.4 mm wide (2.22")
- Fixed Potter & Brumfield relay
- Double Pole Single Throw (DPST) relay
- DIN-rail mounted
- Coil status indication
- Inductive kickback diode for DC
- Separation of coil and contact wiring



Figure 1. UM 56-RELAY

Description

The UM 56 RELAY is a general purpose, industrial interface relay designed to control high current output devices.

The functional base includes LED coil status indication, and inductive kickback protection for DC model.

Integrated test points in connection terminal blocks allow for testing of each normally open contact.

The module is designed with a universal mounting foot that will accept standard 35 mm DIN-rail or 32 mm C style DIN-rail.

Table 1. UM 56-RELAY Specifications

General Specifications	
Technical Data	
Contact ratings	30 A @ 277 V ac 20 A @ 28 V dc
Input Coil Voltages	
.....	24 V dc
.....	120 V ac
General	
Wire size	
Coil	30 - 12 AWG
Contact	20 - 6 AWG
Operating temperature	-20°C to 65°C
Electrical life	1 x 10 ⁶ operations @ 30 A
Isolation (coil contact)	5 kV
Dimensions	
Height	2.30 in. (58.4 mm)
Width	2.22 in. (56.4 mm)
Depth	4.37 in. (111 mm)

1093A002

UM 56-RELAY High Current Relay Module

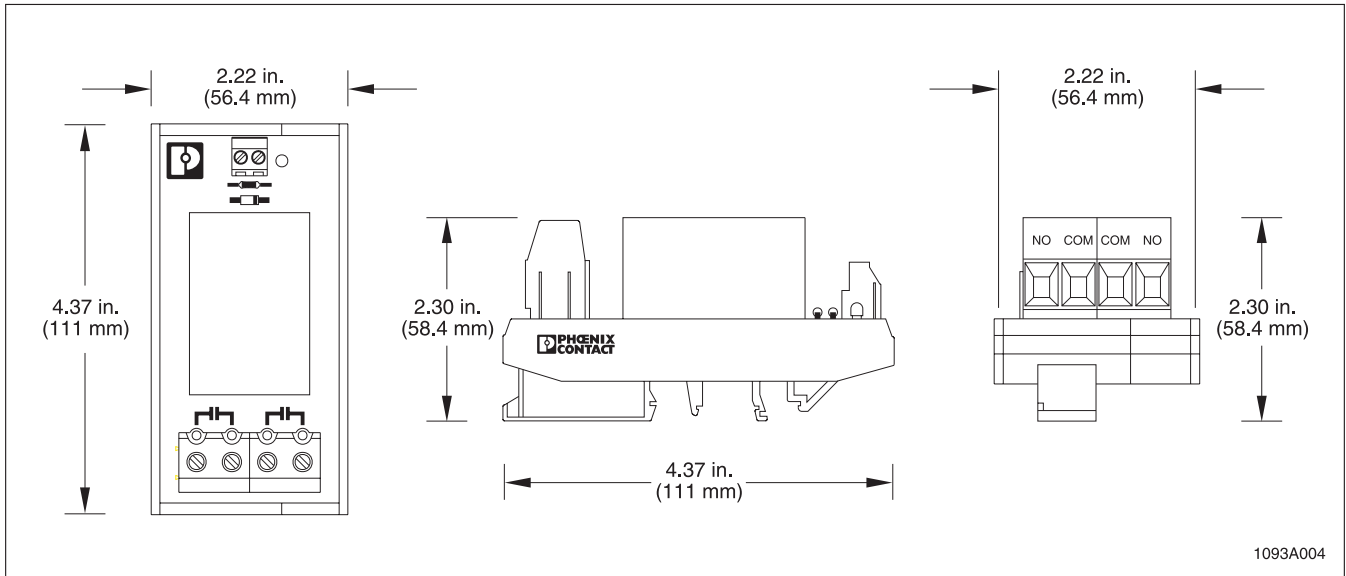


Figure 2. UM 56-RELAY Dimensions

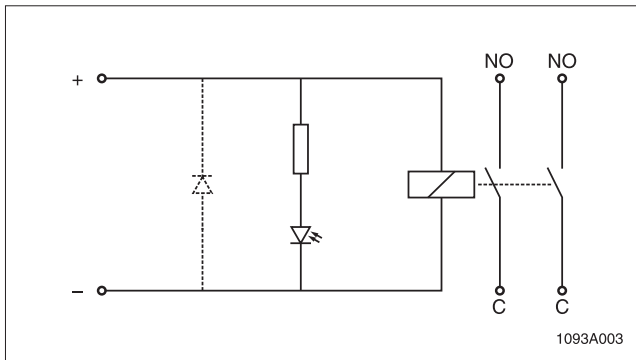


Figure 3 UM 56-RELAY Block Diagram

Ordering Information

UM 56-REL 24/1-1 HC	56 00 26 1
UM 56-REL 120/1-1 HC	56 01 69 8

Headquarters, U.S.

Phoenix Contact Inc.
P.O. Box 4100
Harrisburg, PA 17111-0100
Technical Support and Information: (800) 322-3225
Fax: (717) 948-3475
Fax-On-Demand: (800) 944-9901
Email: info@phoenixcon.com
Web Site: <http://www.phoenixcontact.com>

Headquarters, Canada

Phoenix Contact Ltd.
235 Watline Avenue
Mississauga, Ontario L4Z 1P3
Phone: (905) 890-2820
Fax: (905) 890-0180

The information given herein is based on data believed to be reliable, but Phoenix Contact Inc. makes no warranties expressed or implied as to the accuracy and assumes no liability arising out of its use by others. This publication is not to be taken as license to operate under, or recommendation to infringe, any patent.