



Extract from the online catalog

EG 45-A/ABS GY

Order No.: 2764250

Illustration shows fully mounted versions of the electronic housing, in green



<http://eshop.phoenixcontact.de/phoenix/treeViewClick.do?UID=2764250>

Housing cover, for connection on both sides

Commercial data	
EAN	4017918245108
Pack	10 pcs.
Customs tariff	85369010
Weight/Piece	0.0114 KG

Product notes

WEEE/RoHS-compliant since:
01/01/2003

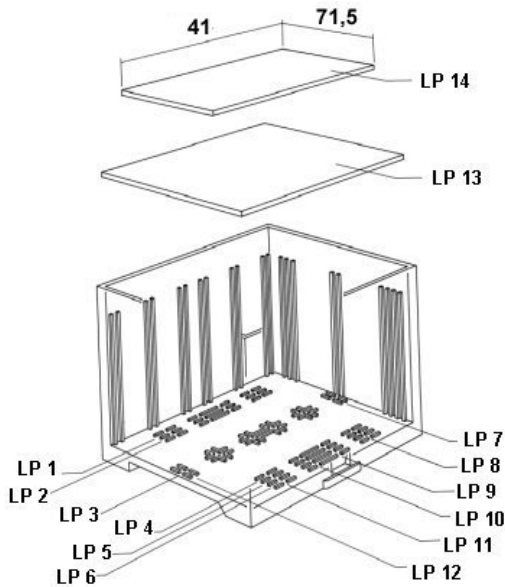


<http://www.download.phoenixcontact.com>
Please note that the data given here has been taken from the online catalog. For comprehensive information and data, please refer to the user documentation. The General Terms and Conditions of Use apply to Internet downloads.

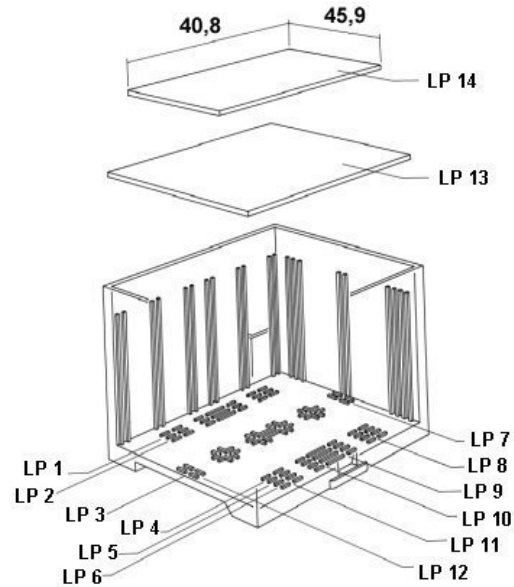
EG 45-A/ABS GY Order No.: 2764250
http://eshop.phoenixcontact.de/phoenix/treeViewClick.do?UID=2764250

Diagrams/Drawings

Explosion drawing

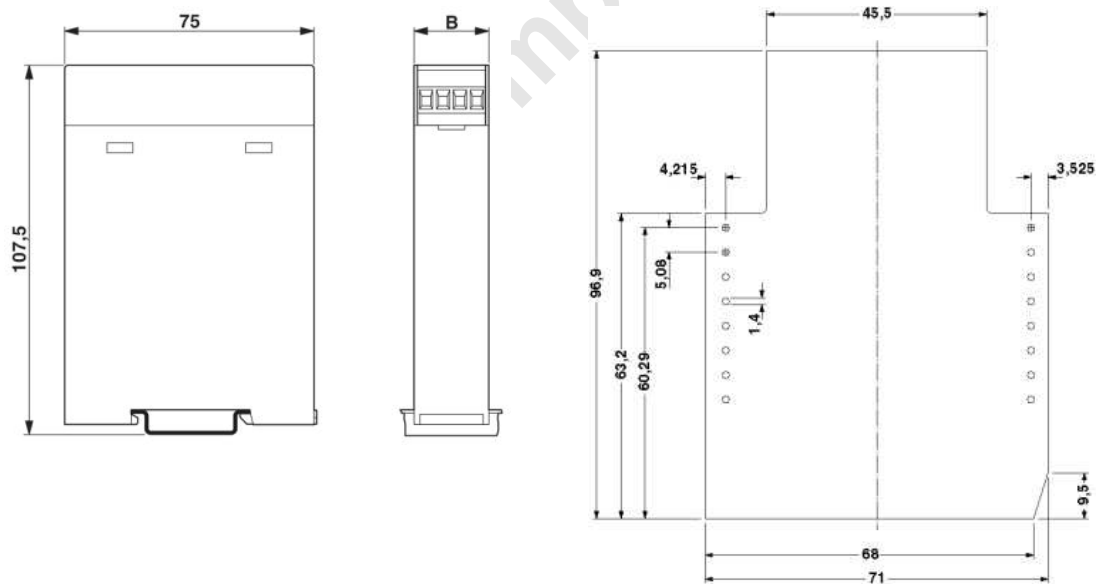


valid for PCB 13



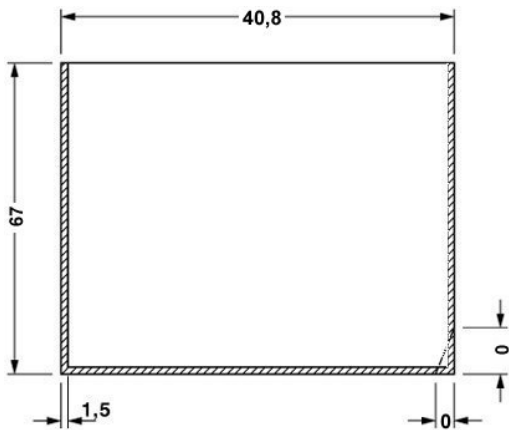
valid for PCB 14

Dimensioned drawing

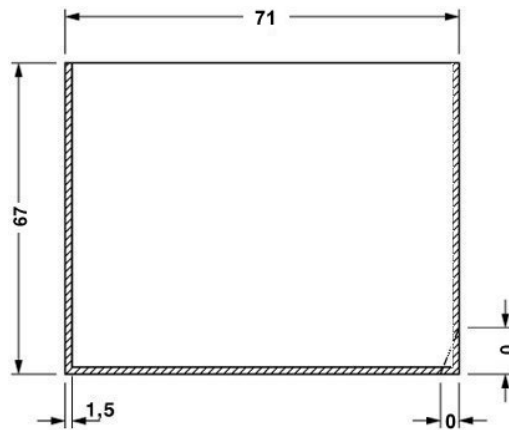


Component mounting side, if the double-level upper part is used

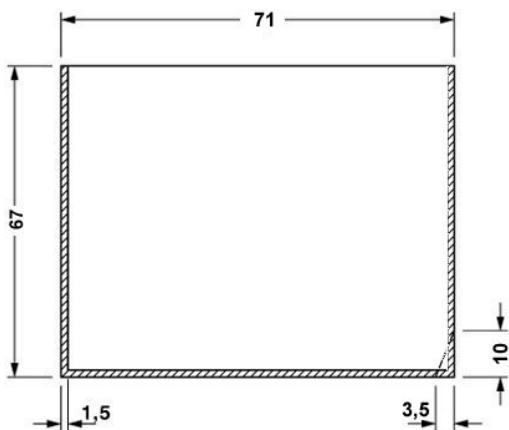
EG 45-A/ABS GY Order No.: 2764250
<http://eshop.phoenixcontact.de/phoenix/treeViewClick.do?UID=2764250>



valid for PCB 1; 3; 5 and 6, see explosion drawing



valid for PCB 7 and 12, see explosion drawing



valid for PCB 10, see explosion drawing

onlinecomponents.com

EG 45-A/ABS GY Order No.: 2764250
<http://eshop.phoenixcontact.de/phoenix/treeViewClick.do?UID=2764250>

Address

PHOENIX CONTACT Deutschland GmbH
Flachmarktstr. 8
32825 Blomberg, Germany
Phone +49 5235 3 12000
Fax +49 5235 3 41200
<http://www.phoenixcontact.de>



© 2010 Phoenix Contact
Technical modifications reserved;

onlinecomponents.com