



Extract from the online catalog

EG 22,5-G/ABS GN

Order No.: 2764043



<http://eshop.phoenixcontact.de/phoenix/treeViewClick.do?UID=2764043>

Lower housing part, with snap-on foot

Commercial data	
GTIN (EAN)	4017918065805
sales group	F020
Pack	10 pcs.
Customs tariff	85369010
Weight/Piece	0.037 KG
Catalog page information	Page 568 (CC-2009)

Product notes

WEEE/RoHS-compliant since:
01/01/2003

<http://www.download.phoenixcontact.com>
Please note that the data given here has been taken from the online catalog. For comprehensive information and data, please refer to the user documentation. The General Terms and Conditions of Use apply to Internet downloads.

Technical data

General	
Housing type	Component housing
Housing material	Acryl butadiene styrene (ABS)
Color	green

Dimensions / positions	
Length	75 mm

EG 22,5-G/ABS GN Order No.: 2764043
<http://eshop.phoenixcontact.de/phoenix/treeViewClick.do?UID=2764043>

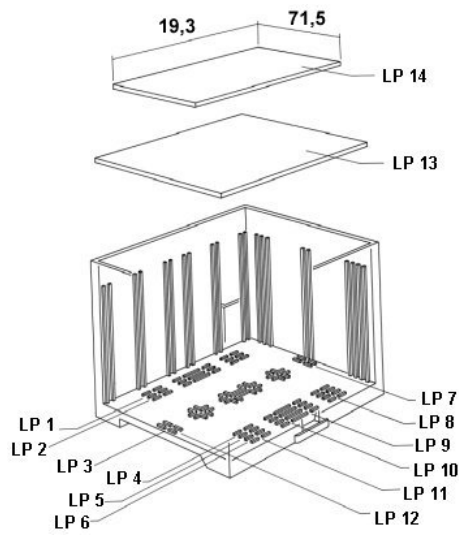
Width	22.5 mm
Number of positions	8

Technical data

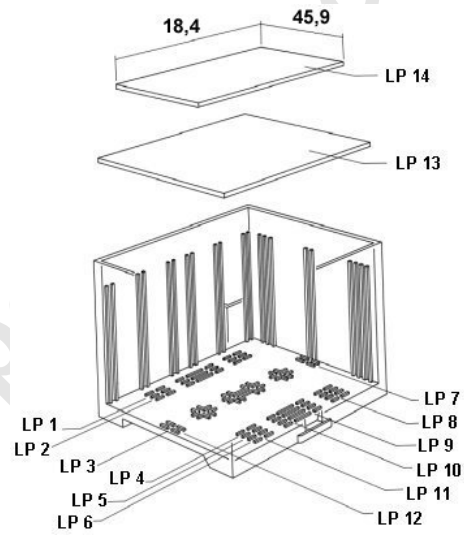
Ambient temperature (operation)	-40 °C ... 80 °C
Inflammability class acc. to UL 94	HB
Power dissipation at 20°C in the horizontal mounting position	1.7 W 2.7 W

Diagrams/Drawings

Explosion drawing

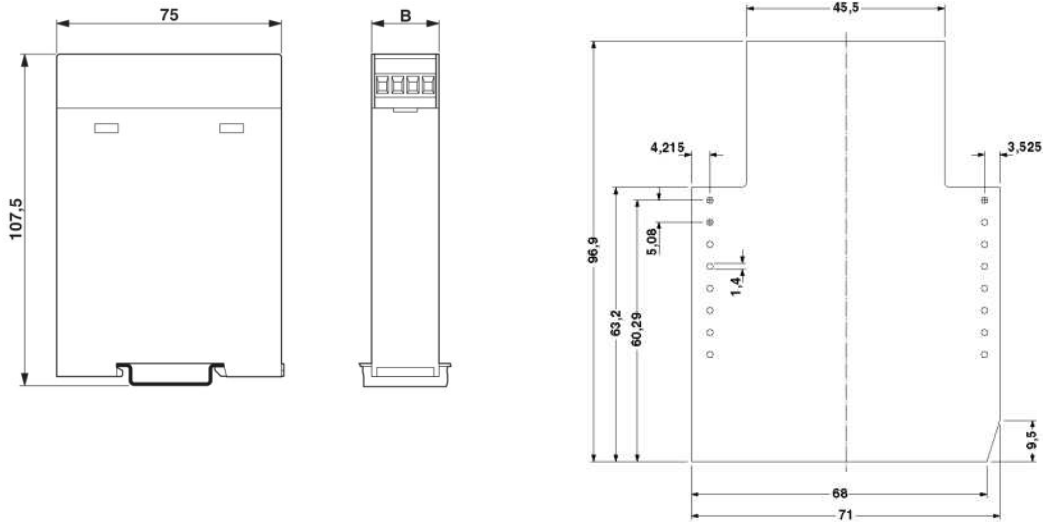


valid for PCB 13

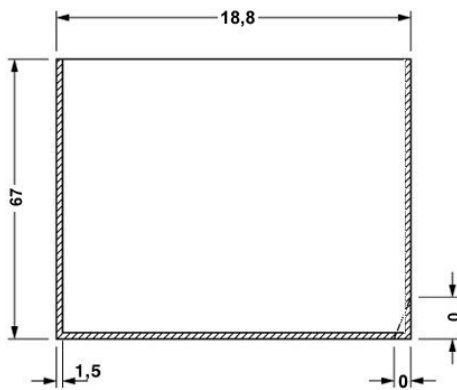


valid for PCB 14

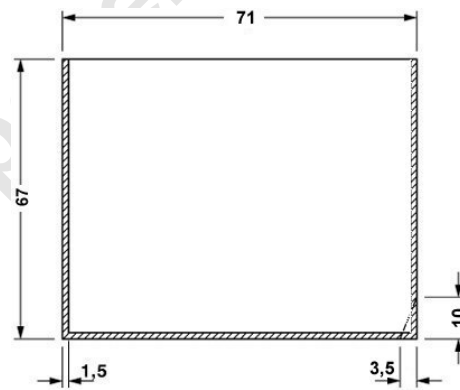
Dimensioned drawing



Component mounting side, if the double-level upper part is used



valid for PCB 1, see explosion drawing



valid for PCB 7, see explosion drawing

EG 22,5-G/ABS GN Order No.: 2764043
<http://eshop.phoenixcontact.de/phoenix/treeViewClick.do?UID=2764043>

Address

PHOENIX CONTACT Deutschland GmbH
Flachmarktstr. 8
32825 Blomberg, Germany
Phone +49 5235 3 12000
Fax +49 5235 3 41200
<http://www.phoenixcontact.de>



© 2010 Phoenix Contact
Technical modifications reserved;

onlinecomponents.com