



Extract from the online catalog

# IPCV 16/ 3-GF-10,16

Order No.: 1969784

The figure shows a 5-pos. version of the product




<http://eshop.phoenixcontact.de/phoenix/treeViewClick.do?UID=1969784>

Header, Nominal current: 76 A, Nom. voltage: 1000 V, Pitch: 10.16 mm, Number of positions: 3, Color: green, Assembly: Soldering

Commercial data	
EAN	4017918946791
Pack	50 pcs.
Customs tariff	85366990
Weight/Piece	0.01584 KG
Catalog page information	Page 427 (CC-2009)

**Product notes**

WEEE/RoHS-compliant since:  
05/05/2003



<http://www.download.phoenixcontact.com>  
Please note that the data given here has been taken from the online catalog. For comprehensive information and data, please refer to the user documentation. The General Terms and Conditions of Use apply to Internet downloads.

## Technical data

Dimensions / positions	
Pitch	10.16 mm
Dimension a	20.32 mm
Number of positions	3
Pin dimensions	0,8 x 1,2
Pin spacing	10.16 mm

IPCV 16/ 3-GF-10,16 Order No.: 1969784  
http://eshop.phoenixcontact.de/phoenix/treeViewClick.do?UID=1969784

Hole diameter	1.7 mm
<b>Technical data</b>	
Insulating material group	I
Rated surge voltage (III/3)	8 kV
Rated surge voltage (III/2)	8 kV
Rated surge voltage (II/2)	8 kV
Rated voltage (III/2)	1000 V
Rated voltage (II/2)	1000 V
Nominal current $I_N$	76 A
Nominal voltage $U_N$	1000 V
Maximum load current	76 A
Insulating material	PA
Inflammability class acc. to UL 94	V0

#### Certificates / Approvals



Certification CB, CCA, CUL, SEV, UL

#### CUL

Nominal voltage $U_N$	600 V
Nominal current $I_N$	66 A

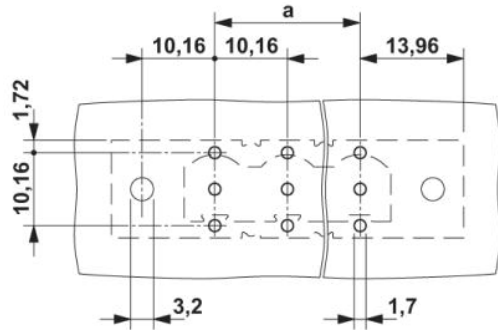
#### UL

Nominal voltage $U_N$	600 V
Nominal current $I_N$	66 A

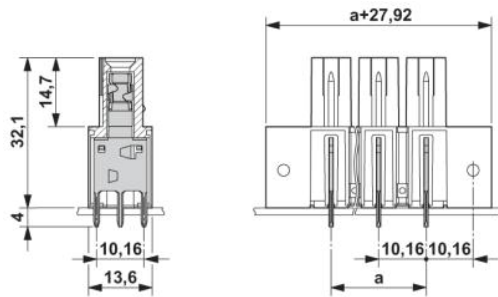
IPCV 16/ 3-GF-10,16 Order No.: 1969784  
<http://eshop.phoenixcontact.de/phoenix/treeViewClick.do?UID=1969784>

## Drawings

Drilling diagram



Dimensioned drawing



onlinecomponents.com

IPCV 16/ 3-GF-10,16 Order No.: 1969784  
<http://eshop.phoenixcontact.de/phoenix/treeViewClick.do?UID=1969784>

---

**Address**

PHOENIX CONTACT GmbH & Co. KG  
Flachsmarktstr. 8  
32825 Blomberg, Germany  
Phone +49 5235 3 00  
Fax +49 5235 3 41200  
<http://www.phoenixcontact.de>



© 2009 Phoenix Contact  
Technical modifications reserved;

onlinecomponents.com