



Extract from the online catalog

SACB-6/12-L-M23 180

Order No.: 1692705

The illustration shows a version with 8 slots



<http://eshop.phoenixcontact.de/phoenix/treeViewClick.do?UID=1692705>

Sensor/actuator box, M12 female connector, 6 Slots, 5-position, Status indication: Yes, pnp 180°, Shielding: No

Commercial data	
EAN	4017918177775
Pack	1 pcs.
Customs tariff	85366990
Weight/Piece	0.1316 KG
Catalog page information	Page 114 (PC-2009)

Product notes

WEEE/RoHS-compliant since:
01/30/2008



<http://www.download.phoenixcontact.com>
Please note that the data given here has been taken from the online catalog. For comprehensive information and data, please refer to the user documentation. The General Terms and Conditions of Use apply to Internet downloads.

Technical data

General data	
Nominal voltage U_N	24 V DC
Max. operating voltage U_{max}	30 V DC
Max. current carrying capacity per path	2 A
Current carrying capacity per slot	4 A
SACB total current	12 A

SACB-6/12-L-M23 180 Order No.: 1692705
<http://eshop.phoenixcontact.de/phoenix/treeViewClick.do?UID=1692705>

Number of positions	5
Number of slots	6
Degree of protection	IP65/IP67
Inflammability class acc. to UL 94	V0
Ambient temperature (operation)	-20 °C ... 75 °C
Sensor/actuator connection system	M12 female connector

Local diagnostics function

Local diagnostics	Supply voltage LED green
	Status display I/O Yellow LED

Master cable data

Type of connection	M23 plug connection
Tightening torque slot sensor/actuator cable	0.4 Nm
Tightening torque screw plug	0.4 Nm

Insulation material

Housing material	PA
Contact material	CuSn
Contact surface material	Ni/Au
Contact carrier material	PA
Material of contact, master cable side	CU alloy
Material of contact surface, master cable side	Gold-plated
Material of the contact carrier on the master cable side	PA
Material of threaded sleeve	Zinc die-cast
Material, O-ring	NBR

Pin assignment

Slot/position = Wire color or connection	1 / 4 (A) = 15
--	----------------

SACB-6/12-L-M23 180 Order No.: 1692705
http://eshop.phoenixcontact.de/phoenix/treeViewClick.do?UID=1692705

	1 / 2 (B) = 7
	2 / 4 (A) = 5
	2 / 2 (B) = 4
	3 / 4 (A) = 16
	3 / 2 (B) = 8
	4 / 4 (A) = 3
	4 / 2 (B) = 14
	5 / 4 (A) = 17
	5 / 2 (B) = 9
	6 / 4 (A) = 2
	6 / 2 (B) = 13
	1-6 / 1 (+ 24 V) = 19
	1-6 / 3 (0 V) = 6
	1-6 / 5 (PE) = 12

Certificates / Approvals



Certification CUL, GOST, UL

CUL

Nominal voltage U_N	24 V
AWG/kcmil	22-16

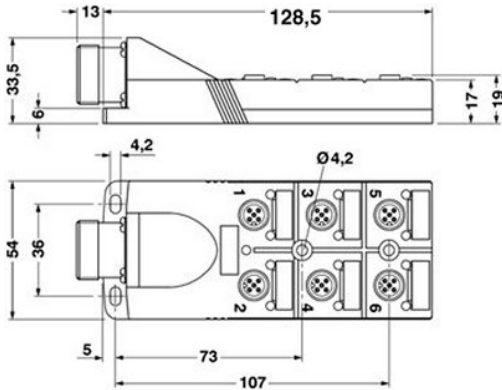
UL

Nominal voltage U_N	24 V
AWG/kcmil	22-16

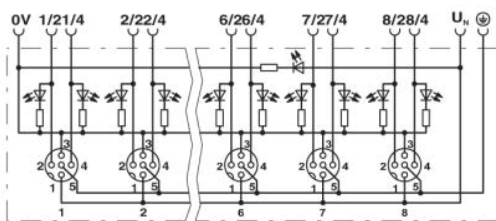
SACB-6/12-L-M23 180 Order No.: 1692705
http://eshop.phoenixcontact.de/phoenix/treeViewClick.do?UID=1692705

Diagrams/Drawings

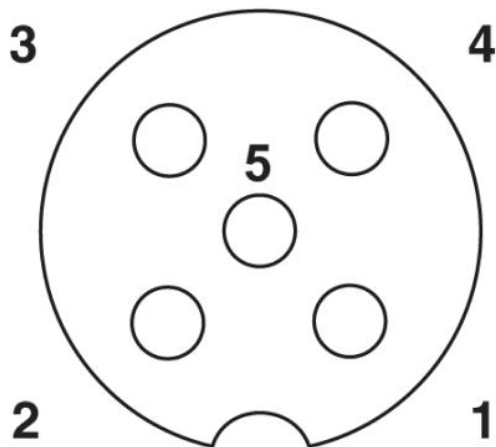
Dimensioned drawing



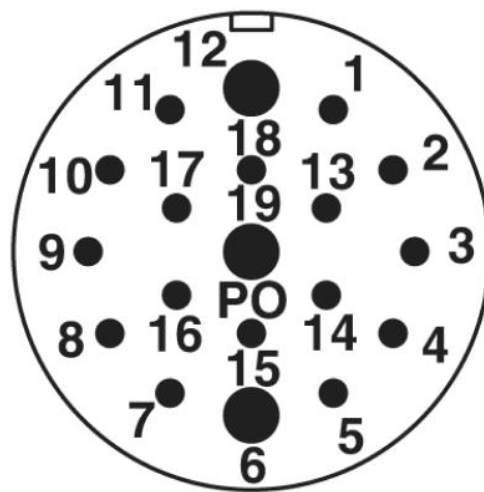
Circuit diagram



Schematic diagram



M12 slot, socket, 5-pos.



M23 plug connection pin, 19-pos.

SACB-6/12-L-M23 180 Order No.: 1692705
<http://eshop.phoenixcontact.de/phoenix/treeViewClick.do?UID=1692705>

Address

PHOENIX CONTACT Deutschland GmbH
Flachsmarktstr. 8
32825 Blomberg, Germany
Phone +49 5235 3 12000
Fax +49 5235 3 41200
<http://www.phoenixcontact.de>



© 2010 Phoenix Contact
Technical modifications reserved;

onlinecomponents.com