



Extract from the online catalog

# SACC-E-FS-17CON-M16/0,5 SCO

Order No.: 1556294



<http://eshop.phoenixcontact.de/phoenix/treeViewClick.do?UID=1556294>

Sensor/actuator flush-type socket, 17-pos., M12 SPEEDCON, front/screw mounting with M16 thread, with 0.5 m PVC litz wire, 17 x 0.14 mm<sup>2</sup>

Commercial data	
EAN	4046356176774
Pack	1 pcs.
Customs tariff	85444290
Weight/Piece	0.0335 KG
Catalog page information	Page 26 (PC-2009)

#### Product notes

WEEE/RoHS-compliant since: 04/13/2007



<http://www.download.phoenixcontact.com>  
Please note that the data given here has been taken from the online catalog. For comprehensive information and data, please refer to the user documentation. The General Terms and Conditions of Use apply to Internet downloads.

## Technical data

General data	
Nominal current I <sub>N</sub>	1.5 A
Nominal voltage U <sub>N</sub>	30 V
Number of positions	17
Volume resistance	≤ 3 mΩ

SACC-E-FS-17CON-M16/0,5 SCO Order No.: 1556294  
<http://eshop.phoenixcontact.de/phoenix/treeViewClick.do?UID=1556294>

Insulation resistance	≥ 100 MΩ
Length of cable	0.5 m
Ambient temperature (operation)	-25 °C ... 85 °C (plug/socket)
	-25 °C ... 90 °C (cable, fixed installation)

**General characteristics**

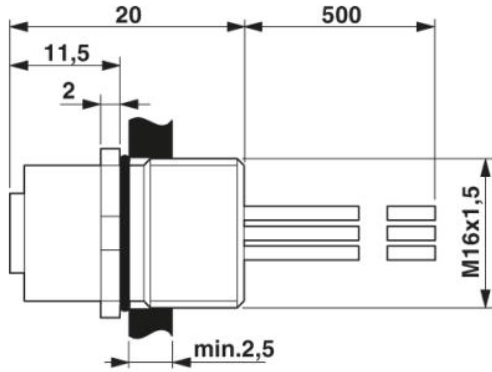
Coding	A - standard
Surge voltage category	II
Pollution degree	3
Degree of protection	IP67
Contact material	CuZn
Contact surface material	Au
Contact carrier material	PA 66
Material, knurls	Zinc die-cast, (nickel-plated)
Sealing material	NBR
Mounting type	Front mounting M16 x 1.5
Type of connection	Individual wires
Status display	No

**Conductor data**

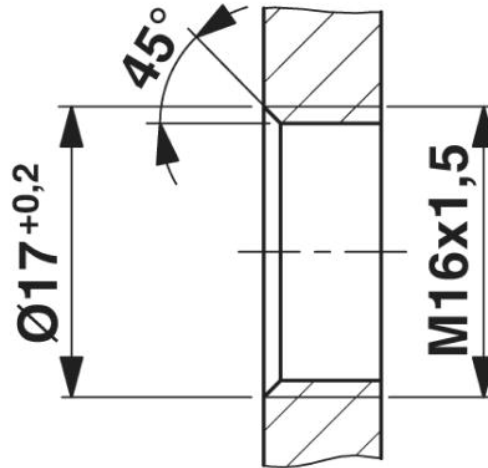
Cable type	TPE litz wire
Conductor cross section	0.14 mm <sup>2</sup>
AWG signal line	26
Wire colors	Color-coded DIN 47100
Material conductor insulation	TPE

Drawings

Dimensioned drawing

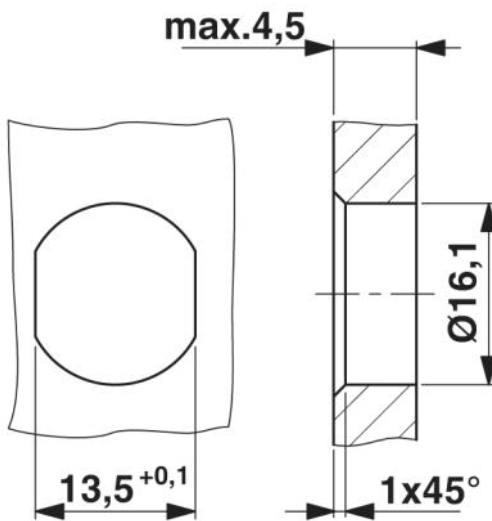


M12 flush-type connector

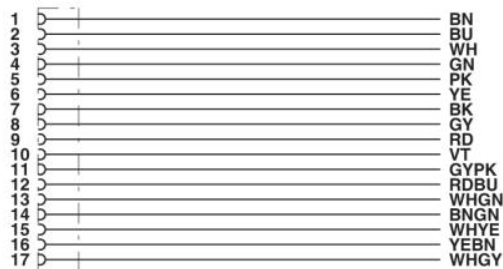


Housing cutout for M16 fastening thread, mounting panel with thread

Housing cutout for M16 fastening thread, mounting panel with feed-through hole (alternatively with surface as protection against rotation)



Circuit diagram

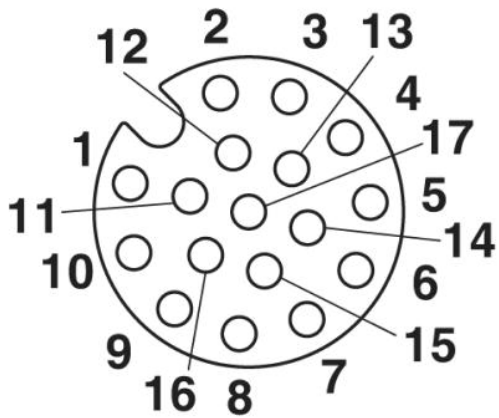


Contact assignment of the M12 socket

SACC-E-FS-17CON-M16/0,5 SCO Order No.: 1556294  
<http://eshop.phoenixcontact.de/phoenix/treeViewClick.do?UID=1556294>

Schematic diagram

Pin assignment M12, 17-pos., female side view



onlinecomponents.com

SACC-E-FS-17CON-M16/0,5 SCO Order No.: 1556294  
<http://eshop.phoenixcontact.de/phoenix/treeViewClick.do?UID=1556294>

---

**Address**

PHOENIX CONTACT GmbH & Co. KG  
Flachsmarktstr. 8  
32825 Blomberg, Germany  
Phone +49 5235 3 00  
Fax +49 5235 3 41200  
<http://www.phoenixcontact.de>



© 2009 Phoenix Contact  
Technical modifications reserved;

onlinecomponents.com