

Cable clamp - WCC 14 - 3240252

Please be informed that the data shown in this PDF Document is generated from our Online Catalog. Please find the complete data in the user's documentation. Our General Terms of Use for Downloads are valid (<http://phoenixcontact.com/download>)




Cable clamp, for DIN rails

Why buy this product

- Individual or bundled cables with a diameter of up to 14 mm can be installed safely and easily
- The halogen-free plastic troughs have been designed to be perfectly secure while simultaneously protecting the conductors
- The cable clamps provide strain relief

Key Commercial Data

Packing unit	25 STK
GTIN	 4 046356 464543

Technical data

Dimensions

Cable diameter	6 mm ... 14 mm
----------------	----------------

General

Material	Steel
Coating	Galvanized

Classifications

eCl@ss

eCl@ss 4.0	27141131
eCl@ss 4.1	27141131
eCl@ss 5.0	27141131
eCl@ss 5.1	27141131
eCl@ss 6.0	23140390
eCl@ss 7.0	23140390
eCl@ss 8.0	23159090

Cable clamp - WCC 14 - 3240252

Classifications

ETIM

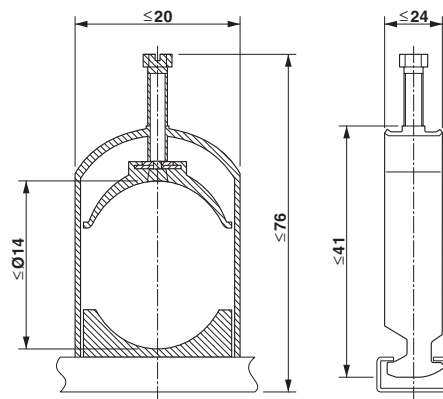
ETIM 2.0	EC000897
ETIM 3.0	EC000897
ETIM 4.0	EC000441
ETIM 5.0	EC000454

UNSPSC

UNSPSC 6.01	30211811
UNSPSC 7.0901	39121410
UNSPSC 11	39121410
UNSPSC 12.01	39121410
UNSPSC 13.2	39121410

Drawings

Dimensional drawing



Phoenix Contact 2016 © - all rights reserved
<http://www.phoenixcontact.com>

PHOENIX CONTACT GmbH & Co. KG
Flachsmarktstr. 8
32825 Blomberg
Germany
Tel. +49 5235 300
Fax +49 5235 3 41200
<http://www.phoenixcontact.com>