

## Extension module - PSR-SCP- 24DC/URM4/4X1/2X2/B - 2981677

Please be informed that the data shown in this PDF Document is generated from our Online Catalog. Please find the complete data in the user's documentation. Our General Terms of Use for Downloads are valid (<http://phoenixcontact.com/download>)



Single-channel contact extension with TBUS interface, 4 N/O contacts, 1 N/C contact, 1 confirmation current path, undelayed, Cat. 4, PL e according to EN ISO 13849, pluggable screw terminal blocks, width: 22.5 mm

### Why buy this product

- 4 enabling current paths, 1 signaling current path, and 1 confirmation current path
- Single and two-channel control
- Up to Cat. 4/PL e according to ISO 13849-1, SILCL 3 according to IEC 62061, SIL 3 according to IEC 61508



### Key Commercial Data

Packing unit	1 STK
GTIN	 4 046356 081535

### Technical data

#### Dimensions

Width	22.5 mm
Height	99 mm
Depth	114.5 mm

#### Ambient conditions

Ambient temperature (operation)	-20 °C ... 55 °C
Ambient temperature (storage/transport)	-40 °C ... 70 °C
Max. permissible relative humidity (operation)	75 % (on average, 85% infrequently, non-condensing)
Max. permissible humidity (storage/transport)	75 % (on average, 85% infrequently, non-condensing)
Maximum altitude	max. 2000 m (Above sea level)

#### Input data

Nominal input voltage $U_N$	24 V DC
Input voltage range in reference to $U_N$	0.9 ... 1.1

## Extension module - PSR-SCP- 24DC/URM4/4X1/2X2/B - 2981677

### Technical data

#### Input data

Typical input current at $U_N$	42 mA
Typical response time	10 ms
Typical release time	10 ms
Recovery time	1 s
Status display	Green LED

#### Output data

Contact type	4 enabling current paths
	1 signaling current path
	1 confirmation current path
Contact material	AgSnO <sub>2</sub>
Minimum switching voltage	15 V AC/DC
Maximum switching voltage	250 V AC/DC
Limiting continuous current	6 A (N/O contact)
	3 A (N/C contact)
Inrush current, minimum	25 mA
Maximum inrush current	6 A (N/O contact)
	3 A (N/C contact)
Sq. Total current	$72 \text{ A}^2 (I_{TH}^2 = I_1^2 + I_2^2 + I_3^2 + I_4^2)$
Interrupting rating (ohmic load) max.	144 W (24 V DC, $\tau = 0 \text{ ms}$ , N/C contact 61/62: 72 W)
	288 W (48 V DC, $\tau = 0 \text{ ms}$ , N/C contact 61/62: 144 W)
	77 W (110 V DC, $\tau = 0 \text{ ms}$ )
	88 W (220 V DC, $\tau = 0 \text{ ms}$ )
	1500 VA (250 V AC, $\tau = 0 \text{ ms}$ , N/C contact 61/62: 750 VA)
Maximum interrupting rating (inductive load)	48 W (24 V DC, $\tau = 40 \text{ ms}$ )
	40 MW (48 V DC, $\tau = 40 \text{ ms}$ )
	35 W (110 V DC, $\tau = 40 \text{ ms}$ )
	33 W (220 V DC, $\tau = 40 \text{ ms}$ )
Switching capacity min.	0.4 W
Output fuse	10 A gL/gG NEOZED (N/O contact)
	4 A gL/gG NEOZED (N/C contact)

#### General

Relay type	Electromechanical relay with forcibly guided contacts in accordance with EN 50205
Mechanical service life	Approx. $10^7$ cycles
Net weight	196.9 g
Mounting type	DIN rail mounting
Degree of protection	IP54
	IP20
Min. degree of protection of inst. location	IP54
Mounting position	any

## Extension module - PSR-SCP- 24DC/URM4/4X1/2X2/B - 2981677

### Technical data

#### General

Control	single-channel
---------	----------------

#### Connection data

Connection method	Screw connection
pluggable	Yes
Conductor cross section solid min.	0.2 mm <sup>2</sup>
Conductor cross section solid max.	2.5 mm <sup>2</sup>
Conductor cross section flexible min.	0.2 mm <sup>2</sup>
Conductor cross section flexible max.	2.5 mm <sup>2</sup>
Conductor cross section AWG min.	24
Conductor cross section AWG max.	12
Stripping length	7 mm
Screw thread	M3

#### Safety-related characteristic data

Stop category	0
Designation	IEC 61508 - High demand
Safety Integrity Level (SIL)	3 (In conjunction with suitable evaluating device)
Designation	IEC 61508 - Low demand
Safety Integrity Level (SIL)	3 (In conjunction with suitable evaluating device)
Designation	EN ISO 13849
Performance level (PL)	e (In conjunction with suitable evaluating device)
Category	4 (In conjunction with suitable evaluating device)
Designation	EN 62061
Safety Integrity Level Claim Limit (SIL CL)	3 (In conjunction with suitable evaluating device)

#### Standards and Regulations

Designation	Air clearances and creepage distances between the power circuits
Standards/regulations	DIN EN 50178/VDE 0160
Rated insulation voltage	250 V
Rated surge voltage/insulation	4 kV / basic isolation (safe isolation, reinforced insulation and 6 kV between input circuit/N/C contacts and enabling current paths).
Degree of pollution	2
Overvoltage category	III

#### Classifications

##### eCl@ss

eCl@ss 4.0	27371102
eCl@ss 4.1	27371102
eCl@ss 5.0	27371901
eCl@ss 5.1	27371901
eCl@ss 6.0	27371819

# Extension module - PSR-SCP- 24DC/URM4/4X1/2X2/B - 2981677

## Classifications

### eCl@ss

eCl@ss 7.0	27371819
eCl@ss 8.0	27371819

### ETIM

ETIM 2.0	EC001449
ETIM 3.0	EC001449
ETIM 4.0	EC001449
ETIM 5.0	EC001449

### UNSPSC

UNSPSC 6.01	30211901
UNSPSC 7.0901	39121501
UNSPSC 11	39121501
UNSPSC 12.01	39121501
UNSPSC 13.2	39121501

## Approvals

### Approvals

---

#### Approvals

UL Listed / cUL Listed / EAC / cULus Listed

---

#### Ex Approvals

---

#### Approvals submitted

---

### Approval details

UL Listed
-----------

cUL Listed
------------

EAC
-----

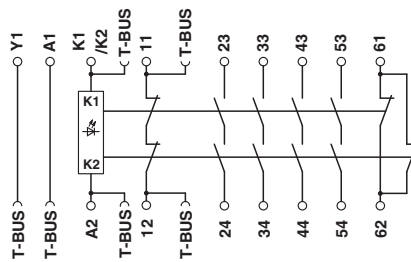
# Extension module - PSR-SCP- 24DC/URM4/4X1/2X2/B - 2981677

## Approvals

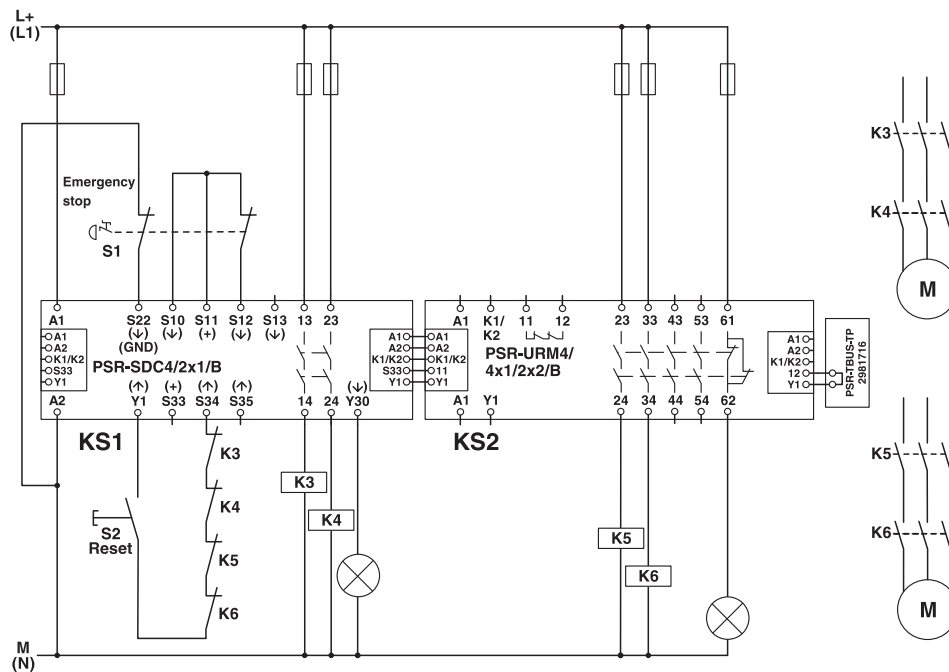


## Drawings

Circuit diagram



Circuit diagram



Two-channel emergency stop monitoring with contact extension

Phoenix Contact 2016 © - all rights reserved  
<http://www.phoenixcontact.com>

PHOENIX CONTACT GmbH & Co. KG  
Flachmarktstr. 8  
32825 Blomberg  
Germany  
Tel. +49 5235 300  
Fax +49 5235 3 41200  
<http://www.phoenixcontact.com>