

Diode block - EMG 45-DIO 8E-1N5408 - 2949389

Please be informed that the data shown in this PDF Document is generated from our Online Catalog. Please find the complete data in the user's documentation. Our General Terms of Use for Downloads are valid (<http://phoenixcontact.com/download>)



Diode module, with eight diodes, can be individually wired, diode type 1N 5408

The illustration shows version EMG 45-DIO 8E

Why buy this product

- Electrical decoupling of messages in fault reporting systems
- Spark-suppression diodes for limiting surge voltages of inductive loads



Key Commercial Data

Packing unit	5 STK
GTIN	 4 017918 083779

Technical data

Dimensions

Width	45 mm
Height	75 mm
Depth	55 mm

Ambient conditions

Ambient temperature (operation)	-20 °C ... 50 °C
Ambient temperature (storage/transport)	-40 °C ... 70 °C

General

Diode type	1 N 5408
Max. operating voltage	250 V AC
Peak reverse voltage per diode	1000 V
Reverse current per diode	10 µA
Conducting state voltage per diode	approx. 0.8 V
Conducting state current per diode	1.5 A (with single load)

Diode block - EMG 45-DIO 8E-1N5408 - 2949389

Technical data

General

	0.3 A (with simultaneous loads)
Overvoltage category	III, basic insulation (as per EN 50178)
Mounting position	any
Assembly instructions	In rows with zero spacing

Connection data

Conductor cross section solid min.	0.2 mm ²
Conductor cross section solid max.	4 mm ²
Conductor cross section flexible min.	0.2 mm ²
Conductor cross section flexible max.	2.5 mm ²
Conductor cross section AWG min.	24
Conductor cross section AWG max.	12
Stripping length	8 mm
Screw thread	M3
Connection method	Screw connection

Standards and Regulations

Low Voltage Directive	Conformance with LV directive 2006/95/EC
Conformance	CE-compliant

Classifications

eCl@ss

eCl@ss 4.0	27250312
eCl@ss 4.1	27260801
eCl@ss 5.0	27260801
eCl@ss 5.1	27260801
eCl@ss 6.0	27242602
eCl@ss 7.0	27242602
eCl@ss 8.0	27371010

ETIM

ETIM 2.0	EC001432
ETIM 3.0	EC001597
ETIM 4.0	EC001597
ETIM 5.0	EC000683

UNSPSC

UNSPSC 6.01	30211506
UNSPSC 7.0901	39121008
UNSPSC 11	39121008
UNSPSC 12.01	39121008

Diode block - EMG 45-DIO 8E-1N5408 - 2949389

Classifications

UNSPSC

UNSPSC 13.2	39121008
-------------	----------

Approvals

Approvals

Approvals

EAC

Ex Approvals

Approvals submitted

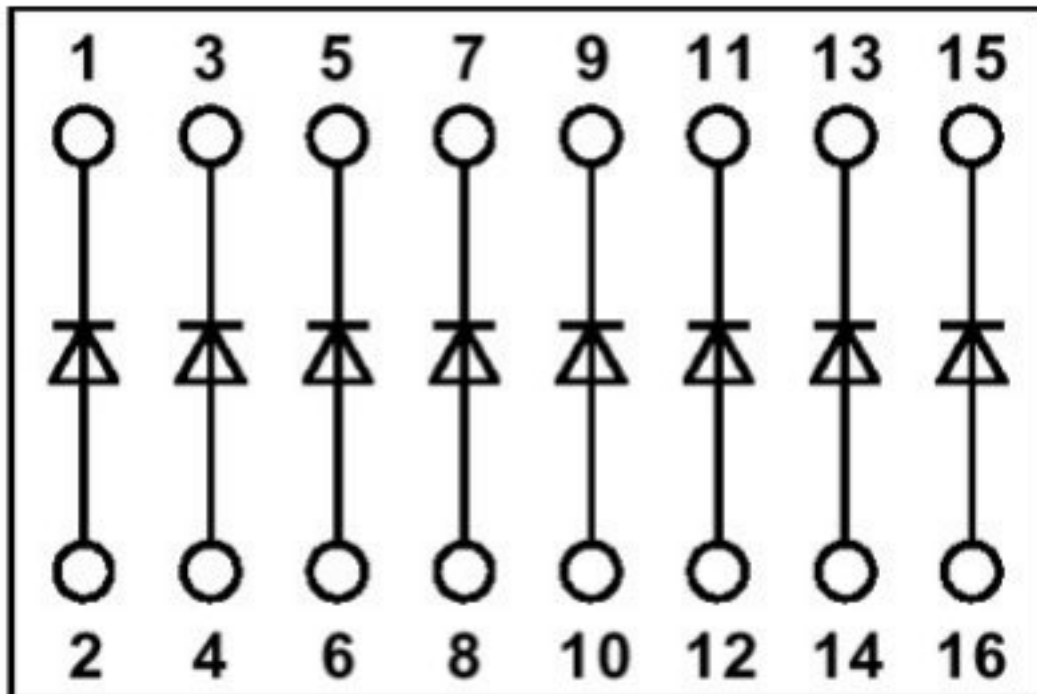
Approval details

EAC

Drawings

Diode block - EMG 45-DIO 8E-1N5408 - 2949389

Circuit diagram



Phoenix Contact 2016 © - all rights reserved
<http://www.phoenixcontact.com>

PHOENIX CONTACT GmbH & Co. KG
Flachsmarktstr. 8
32825 Blomberg
Germany
Tel. +49 5235 300
Fax +49 5235 3 41200
<http://www.phoenixcontact.com>