

I/O extension module - RAD-DI8-IFS - 2901539

Please be informed that the data shown in this PDF Document is generated from our Online Catalog. Please find the complete data in the user's documentation. Our General Terms of Use for Downloads are valid (<http://phoenixcontact.com/download>)



Digital I/O extension module with 8 digital inputs (0 ... 30.5 V DC) or 2 pulse inputs (0 ... 100 Hz), with screw connection, including DIN rail connector

Why buy this product

- Extended temperature range, -40°C ... +70°C
- Easy module replacement even during operation (hot swap)
- 8 digital inputs (0 ... 30.5 V DC)
- 2 pulse inputs (0 ... 100 Hz)
- Suitable for ATEX zone 2
- Easy startup via thumbwheel



Key Commercial Data

Packing unit	1 STK
GTIN	 4 046356 609159

Technical data

Note

Utilization restriction	EMC: class A product, see manufacturer's declaration in the download area
-------------------------	---

Dimensions

Width	17.5 mm
Height	99 mm
Depth	114.5 mm

Ambient conditions

Degree of protection	IP20
Ambient temperature (operation)	-40 °C ... 70 °C

I/O extension module - RAD-DI8-IFS - 2901539

Technical data

Ambient conditions

	-40 °F ... 158 °F
Ambient temperature (storage/transport)	-40 °C ... 85 °C
	-40 °F ... 185 °F
Permissible humidity (operation)	20 % ... 85 %
Permissible humidity (storage/transport)	20 % ... 85 %
Altitude	2000 m
Vibration (operation)	in accordance with IEC 60068-2-6: 5g, 10 Hz ... 150 Hz
Shock	16g, 11 ms

General

Overvoltage category	II
Mounting position	any
Assembly instructions	on standard DIN rail NS 35 in accordance with EN 60715
Degree of pollution	2
Housing material	PA 6.6-FR
Flammability rating according to UL 94	V0
MTTF	1624 Years (Telcordia standard, 25°C temperature, 21% operating cycle (5 days a week, 8 hours a day))
	612 Years (Telcordia standard, 40°C temperature, 34.25% operating cycle (5 days a week, 12 hours a day))
	233 Years (Telcordia standard, temperature 40 °C, operating cycle 100 % (7 days a week, 24 hours a day))

Supply

Supply voltage range	19.2 V DC ... 30.5 V DC (DIN rail connector)
Max. current consumption	≤ 18 mA (At 24 V DC, at 25°C)
Transient surge protection	Yes

Digital inputs

Description of the input	Digital input
Number of inputs	8
Switching level "1" signal	10 V DC ... 30.5 V DC
Switching level "0" signal	0 V DC ... 4 V DC
Input frequency	≤ 10 Hz (Static mode)
Min. voltage input signal	0 V DC
Max. voltage input signal	30.5 V DC

Counter inputs

Number of channels	2
Switching level "1" signal	10 V DC ... 30.5 V DC
Switching level "0" signal	0 V DC ... 4 V DC
Input frequency	< 100 Hz (Pulse counter mode)
Pulse length	≥ 5 ms (Pulse/pause ratio 1:1)
Process data channel	32 Bit (per channel)

I/O extension module - RAD-DI8-IFS - 2901539

Technical data

Electrical isolation

Digital I/O	50 V (Rated insulation voltage (between the channel groups 1...4 and 5...8/TBUS supply, reinforced insulation according to EN 61010))
-------------	---

Test voltage

Digital I/O	1.5 kV AC (50 Hz, 1 min.)
-------------	---------------------------

Connection data

Connection method	Screw connection
Conductor cross section solid min.	0.2 mm ²
Conductor cross section solid max.	2.5 mm ²
Conductor cross section flexible min.	0.2 mm ²
Conductor cross section flexible max.	2.5 mm ²
Conductor cross section AWG min.	24
Conductor cross section AWG max.	14
Stripping length	7 mm
Tightening torque	0.6 Nm
Screw thread	M3

Status indicator

Status display	Green LED (supply voltage, PWR)
	Green LED (bus communication, DAT)
	Red LED (periphery error, ERR)
	Green LED (counter mode, CNT)
	Yellow LED (digital input, DI1)
	Yellow LED (digital input, DI2)
	Yellow LED (digital input, DI3)
	Yellow LED (digital input, DI4)
	Yellow LED (digital input, DI5)
	Yellow LED (digital input, DI6)
	Yellow LED (digital input, DI7)
	Yellow LED (digital input, DI8)

Approvals and conformance

Conformance	CE-compliant
IECEX	Ex nA IIC T4 Gc
UL, USA / Canada	UL 508 Listed
Standard designation	EMC Directive 2004/108/EC
Standards/regulations	EN 61000-6-2
Standard designation	EMC Directive 2004/108/EC
Standards/regulations	EN 61000-6-4
Standard designation	Ex Directive (ATEX)
Standards/regulations	EN 60079-0
Standard designation	Ex Directive (ATEX)

I/O extension module - RAD-DI8-IFS - 2901539

Technical data

Approvals and conformance

Standards/regulations	EN-60079-15
-----------------------	-------------

Standards and Regulations

Electromagnetic compatibility	Conformance with EMC Directive 2004/108/EC (valid until 19.04.2016) / 2014/30/EU (valid from 20.04.2016)
Standard designation	EMC Directive 2004/108/EC
Standards/regulations	EN 61000-6-2
Standard designation	EMC Directive 2004/108/EC
Standards/regulations	EN 61000-6-4
Standard designation	Ex Directive (ATEX)
Standards/regulations	EN 60079-0
Standard designation	Ex Directive (ATEX)
Standards/regulations	EN-60079-15
Shock	16g, 11 ms
Noise emission	EN 61000-6-4
Noise immunity	EN 61000-6-2
Flammability rating according to UL 94	V0
Vibration (operation)	in accordance with IEC 60068-2-6: 5g, 10 Hz ... 150 Hz
Conformance	CE-compliant
ATEX	# II 3 G Ex nA IIC T4 Gc X
IECEX	Ex nA IIC T4 Gc
UL, USA / Canada	UL 508 Listed
	Class I, Div. 2, Groups A, B, C, D T4A
	Class I, Zone 2, IIC T4

Classifications

eCl@ss

eCl@ss 4.0	27230207
eCl@ss 4.1	27230207
eCl@ss 5.0	27230207
eCl@ss 5.1	27242208
eCl@ss 6.0	27242208
eCl@ss 7.0	27242208
eCl@ss 8.0	27242604
eCl@ss 9.0	27242604

ETIM

ETIM 3.0	EC001423
ETIM 4.0	EC000310
ETIM 5.0	EC001599

I/O extension module - RAD-DI8-IFS - 2901539

Classifications

UNSPSC

UNSPSC 6.01	30211506
UNSPSC 7.0901	43223108
UNSPSC 11	39121008
UNSPSC 12.01	43223108
UNSPSC 13.2	43223108

Approvals

Approvals

Approvals

UL Listed / cUL Listed / EAC / cULus Listed

Ex Approvals

ATEX / IECEx / UL Listed / cUL Listed

Approvals submitted

Approval details

UL Listed

cUL Listed

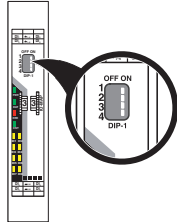
EAC

cULus Listed

Drawings

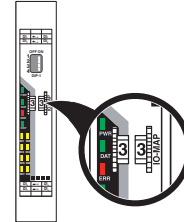
I/O extension module - RAD-DI8-IFS - 2901539

Schematic diagram



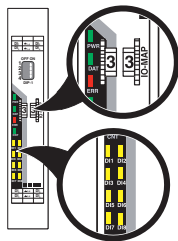
DIP switches

Schematic diagram



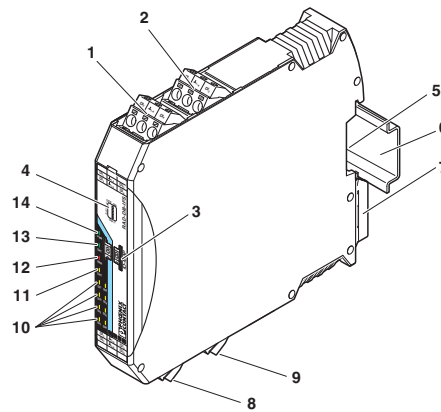
Thumb wheel

Schematic diagram



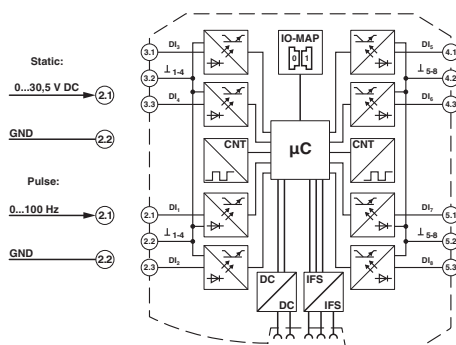
LED indicators

Schematic diagram

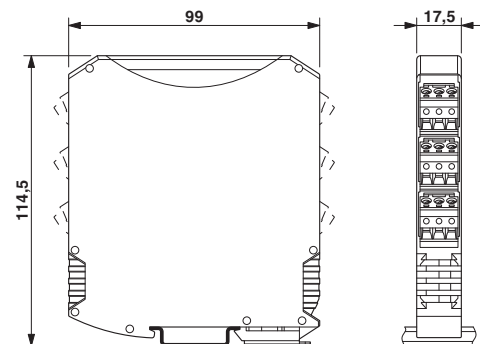


Function elements

Block diagram

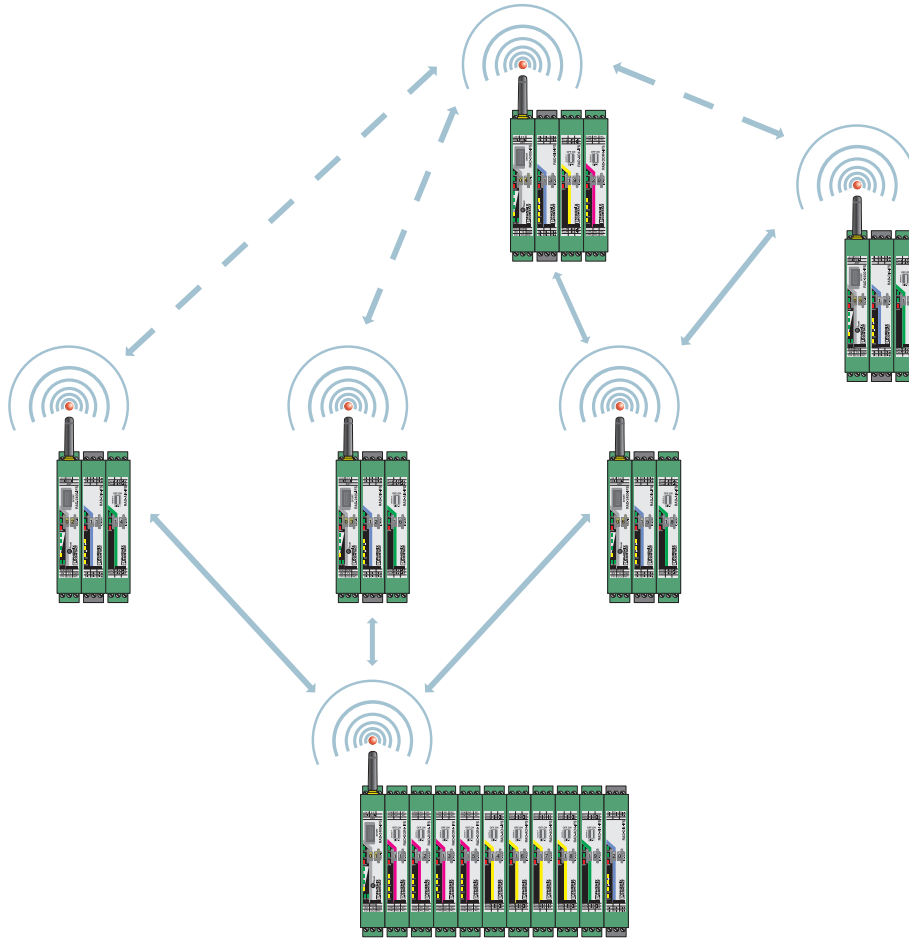


Dimensional drawing



I/O extension module - RAD-DI8-IFS - 2901539

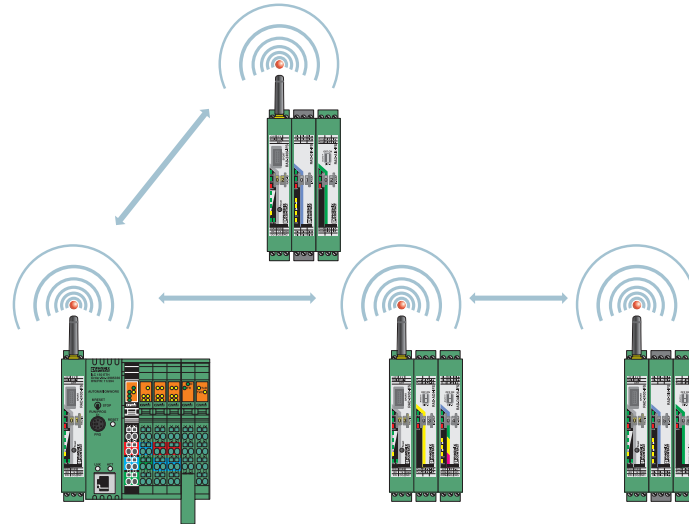
Application drawing



Wireless module in I/O data mode

I/O extension module - RAD-DI8-IFS - 2901539

Application drawing



Wireless module in PLC/Modbus RTU mode

Phoenix Contact 2016 © - all rights reserved
<http://www.phoenixcontact.com>

PHOENIX CONTACT GmbH & Co. KG
Flachsmarktstr. 8
32825 Blomberg
Germany
Tel. +49 5235 300
Fax +49 5235 3 41200
<http://www.phoenixcontact.com>