

## D-SUB bus connector - SUBCON-PLUS-PROFIB/SC2 - 2708232


Please be informed that the data shown in this PDF Document is generated from our Online Catalog. Please find the complete data in the user's documentation. Our General Terms of Use for Downloads are valid (<http://phoenixcontact.com/download>)



D-SUB connector, 9-pos., male connector, cable entry < 35°, bus system: PROFIBUS DP up to 12 Mbps, termination resistor can be switched on via slide switch, pin assignment: 3, 5, 6, 8; screw connection terminal blocks



### Key Commercial Data

|              |  |
|--------------|--|
| Packing unit | 1 STK  |
| GTIN         | <br>4 017918 960483 |
| Sales Key    | 07   |

### Technical data

#### Dimensions

|                     |         |
|---------------------|---------|
| Max. cable diameter | 8.4 mm  |
| Min. cable diameter | 7.6 mm  |
| Width               | 16.6 mm |
| Height              | 39.4 mm |
| Length              | 58 mm   |

#### Ambient conditions

|   |  |
|---|--|
| Ambient temperature (operation)         | -20 °C ... 75 °C   |
| Ambient temperature (storage/transport) | -25 °C ... 80 °C   |
| Altitude                                | 5000 m (For restrictions see manufacturer's declaration) |

#### General

|                             |                   |
|-----------------------------|-------------------|
| Nominal voltage $U_N$       | 5 V               |
| Nominal current $I_N$       | 100 mA            |
| Bus system                  | PROFIBUS DP       |
| Signal                      | PROFIBUS          |
| Insertion/withdrawal cycles | > 200             |
| SUBCON fixing screws        | 4-40 UNC          |
| Tightening torque           | 0.4 Nm            |
| Housing material            | ABS, metal-plated |

# D-SUB bus connector - SUBCON-PLUS-PROFIB/SC2 - 2708232

## Technical data

### General

|                |  |
|----------------|--|
| Pin assignment | 3, 5, 6, 8   |
| MTTF           | 6706 Years (SN 29500 standard, temperature 25°C, operating cycle 21 % (5 days a week, 8 hours a day))      |
|                | 1817 Years (SN 29500 standard, temperature 40 °C, operating cycle 34.25 % (5 days a week, 12 hours a day)) |
|                | 155 Years (SN 29500 standard, temperature 40°C, operating cycle 100 % (7 days a week, 24 hours a day))     |

### Connection data

|  |                                     |
|--|-------------------------------------|
| Connection                                 | D-SUB connection                    |
| Number of positions                        | 9                                   |
| Connection method                          | D-SUB connector                     |
| Termination resistor                       | 390 Ω                               |
|  | 220 Ω                               |
|  | 390 Ω (Can be connected externally) |
| Connection                                 | PCB connection                      |
| Connection method                          | Screw connection                    |
| Conductor cross section flexible min.      | 0.14 mm <sup>2</sup>                |
| Conductor cross section flexible max.      | 1 mm <sup>2</sup>                   |
| Conductor cross section solid min.         | 0.14 mm <sup>2</sup>                |
| Conductor cross section solid max.         | 1.5 mm <sup>2</sup>                 |
| Min. AWG conductor cross section, flexible | 26                                  |
| Max. AWG conductor cross section, flexible | 18                                  |
| Conductor cross section AWG min.           | 26                                  |
| Conductor cross section AWG max.           | 16                                  |
| Stripping length                           | 5 mm                                |
| Tightening torque                          | 0.4 Nm                              |

### Standards and Regulations

|                                  |                            |
|----------------------------------|----------------------------|
| Connection in acc. with standard | CUL                        |
| ATEX                             | # II 3 G Ex nA IIC T4 Gc X |

### Classifications

#### eCl@ss

|            |          |
|------------|----------|
| eCl@ss 4.0 | 27140816 |
| eCl@ss 4.1 | 27140816 |
| eCl@ss 5.0 | 27143424 |
| eCl@ss 5.1 | 27143424 |
| eCl@ss 6.0 | 27143424 |
| eCl@ss 7.0 | 27440209 |
| eCl@ss 8.0 | 27440302 |

# D-SUB bus connector - SUBCON-PLUS-PROFIB/SC2 - 2708232

## Classifications

### ETIM

|          |          |
|----------|----------|
| ETIM 2.0 | EC001132 |
| ETIM 3.0 | EC001132 |
| ETIM 4.0 | EC001132 |
| ETIM 5.0 | EC001132 |

### UNSPSC

|               |          |
|---------------|----------|
| UNSPSC 6.01   | 30211802 |
| UNSPSC 7.0901 | 39121402 |
| UNSPSC 11     | 39121402 |
| UNSPSC 12.01  | 39121402 |
| UNSPSC 13.2   | 39121402 |

## Approvals

### Approvals

---

#### Approvals

UL Recognized / cUL Recognized / CSA / EAC / cULus Recognized

---

#### Ex Approvals

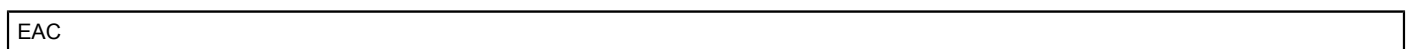
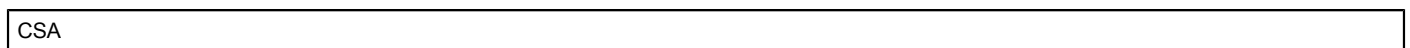
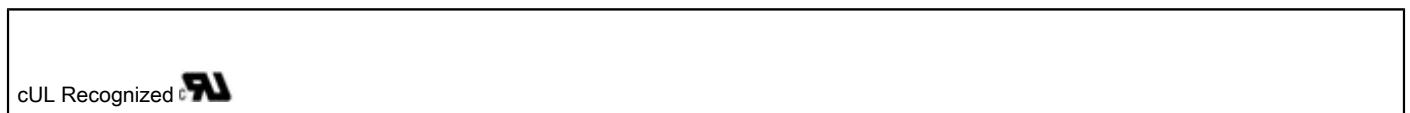
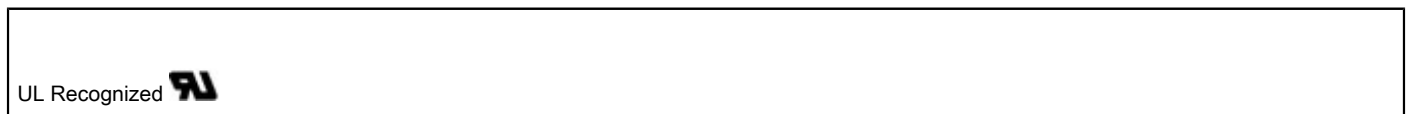
#### ATEX

---

#### Approvals submitted


---

### Approval details



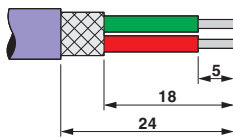
# D-SUB bus connector - SUBCON-PLUS-PROFIB/SC2 - 2708232

## Approvals

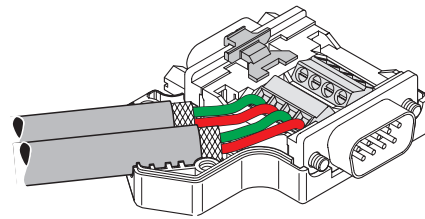
cULus Recognized 

## Drawings

Schematic diagram



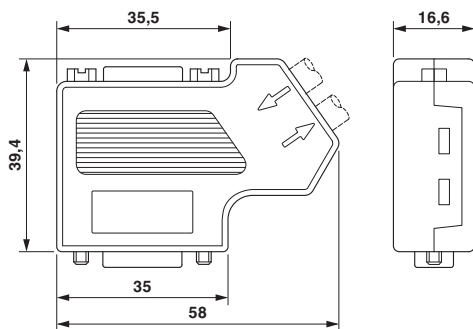
Schematic diagram



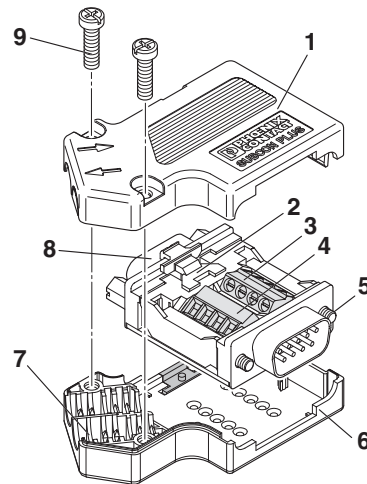
Left-hand side cable entry

## Stripping specifications

Dimensional drawing

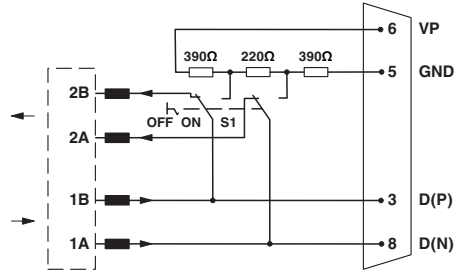


Schematic diagram



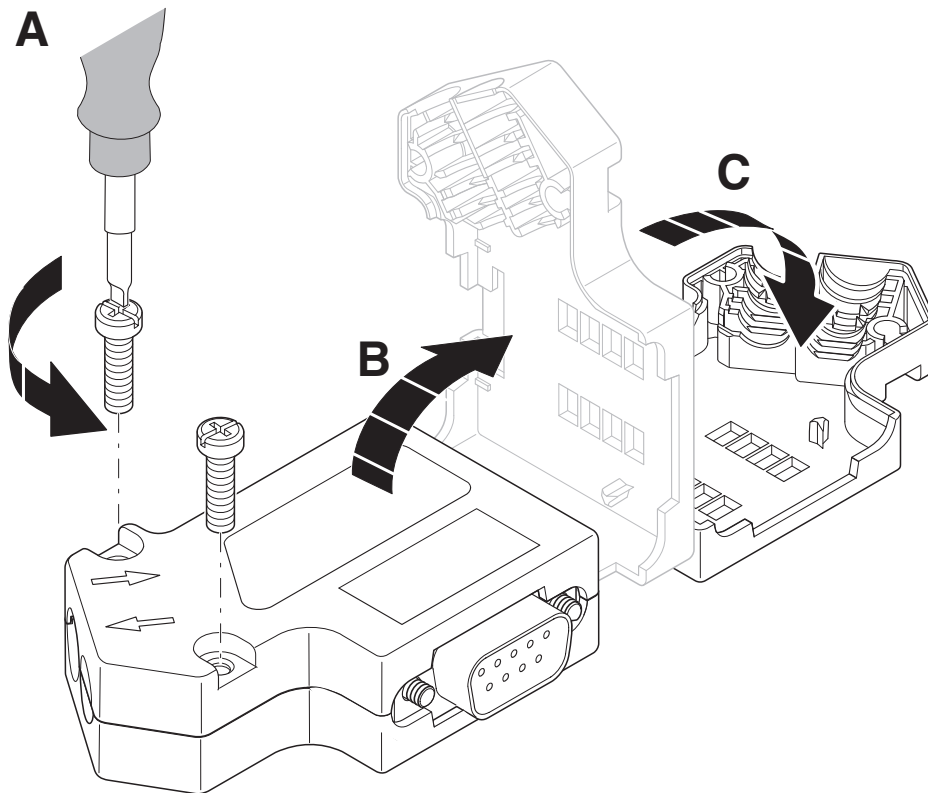
# D-SUB bus connector - SUBCON-PLUS-PROFIB/SC2 - 2708232

Circuit diagram



Functional diagram of the connector range SUBCON-PLUS-PROFIB/...

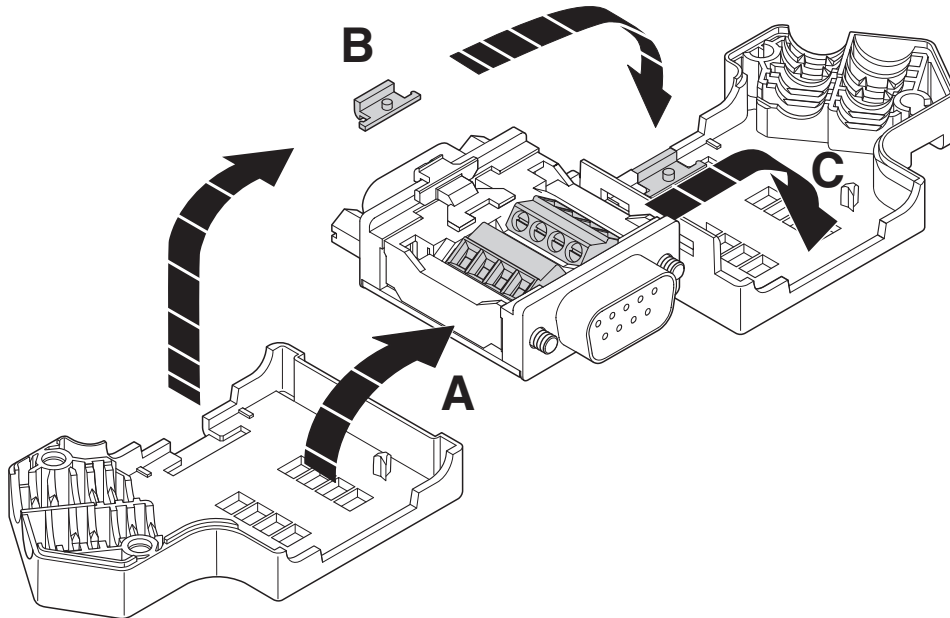
Schematic diagram



Right-hand side cable entry

## D-SUB bus connector - SUBCON-PLUS-PROFIB/SC2 - 2708232

Schematic diagram



Right-hand side cable entry

---

Phoenix Contact 2016 © - all rights reserved  
<http://www.phoenixcontact.com>

PHOENIX CONTACT GmbH & Co. KG  
Flachsmarktstr. 8  
32825 Blomberg  
Germany  
Tel. +49 5235 300  
Fax +49 5235 3 41200  
<http://www.phoenixcontact.com>