

Antenna - RAD-ISM-2400-ANT-VAN-3-0-RSMA - 2701358

Please be informed that the data shown in this PDF Document is generated from our Online Catalog. Please find the complete data in the user's documentation. Our General Terms of Use for Downloads are valid (<http://phoenixcontact.com/download>)



Omnidirectional antenna with protection against vandalism, 2.4 GHz, 3 dBi gain, IP55 degree of protection, 1.5 m cable length, RSMA connection (male), h/v 360°/85° apex angle. Appropriate mounting material is available for wall mounting.

Why buy this product

- Version with higher impact strength that is not immediately recognizable as an antenna
- Omnidirectional antennas to increase gain

Key Commercial Data

Packing unit	1 STK
GTIN	 4 046356 741750

Technical data

Dimensions

Width	86 mm
Height	43 mm
Fixed cable length	1.50 m

Ambient conditions

Degree of protection	IP55
Ambient temperature (operation)	-40 °C ... 80 °C
Ambient temperature (storage/transport)	-40 °C ... 80 °C

General

With connecting cable	yes
Frequency range	2.4 GHz
	2.4 GHz
Horizontal beamwidth	360 °
Vertical beamwidth	85 °
Impedance	50 Ω
Gain	3 dBi
Wind velocity	160 km/h (Has a force of 10 N)
Connection method	RSMA (male)
Fixed cable length	1.50 m

Antenna - RAD-ISM-2400-ANT-VAN-3-0-RSMA - 2701358

Technical data

General

Material	ASA (Antenna housing)
----------	-----------------------

Classifications

eCl@ss

eCl@ss 4.0	27250312
eCl@ss 4.1	27250312
eCl@ss 5.0	19070102
eCl@ss 5.1	19070102
eCl@ss 6.0	19070102
eCl@ss 7.0	19070102
eCl@ss 8.0	19070105
eCl@ss 9.0	19070105

ETIM

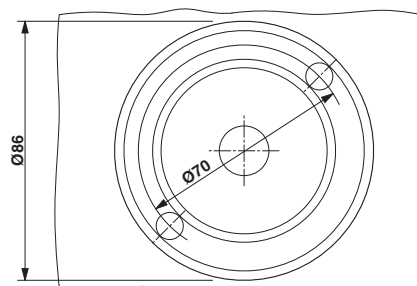
ETIM 2.0	EC000416
ETIM 3.0	EC001698
ETIM 4.0	EC001698
ETIM 5.0	EC001698

UNSPSC

UNSPSC 6.01	43171611
UNSPSC 7.0901	43221706
UNSPSC 11	43171611
UNSPSC 12.01	43221706
UNSPSC 13.2	43221706

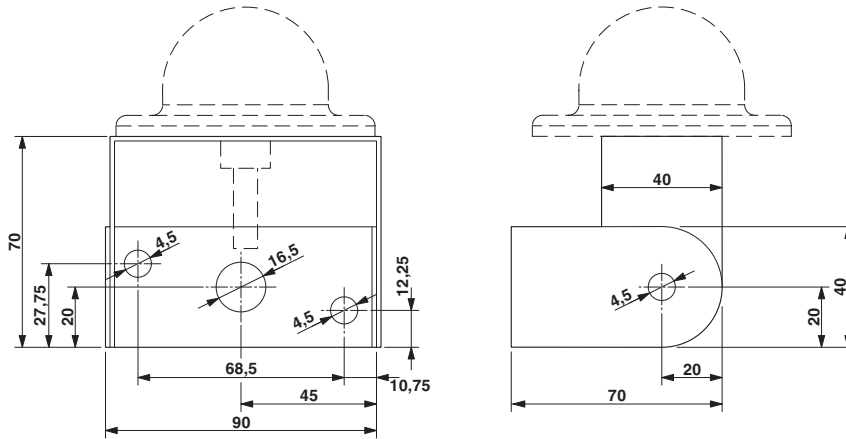
Drawings

Drilling diagram



Antenna - RAD-ISM-2400-ANT-VAN-3-0-RSMA - 2701358

Dimensional drawing



Phoenix Contact 2016 © - all rights reserved
<http://www.phoenixcontact.com>

PHOENIX CONTACT GmbH & Co. KG
Flachsmarktstr. 8
32825 Blomberg
Germany
Tel. +49 5235 300
Fax +49 5235 3 41200
<http://www.phoenixcontact.com>