

End clamp - E/MK 1 - 1421659

Please be informed that the data shown in this PDF Document is generated from our Online Catalog. Please find the complete data in the user's documentation. Our General Terms of Use for Downloads are valid (<http://phoenixcontact.com/download>)




End clamp width: 6 mm, color: gray

Why buy this product

- Can be screwed onto NS 15 DIN rails
- Large-surface labeling

Key Commercial Data

Packing unit	100 STK
GTIN	 4 017918 021573

Technical data

Dimensions

Height	18 mm
Length	21.2 mm
Width	6.1 mm

General

Material	PA
Coating	3.2 mm fixing hole
Color	gray
Tightening torque, min	0.4 Nm
Tightening torque max	0.5 Nm

Standards and Regulations

Flammability rating according to UL 94	V2
--	----

Classifications

eCl@ss

eCl@ss 4.0	27141199
eCl@ss 4.1	27141199
eCl@ss 5.0	27141135

End clamp - E/MK 1 - 1421659

Classifications

eCl@ss

eCl@ss 5.1	27141145
eCl@ss 6.0	27141135
eCl@ss 7.0	27141135
eCl@ss 8.0	27141135

ETIM

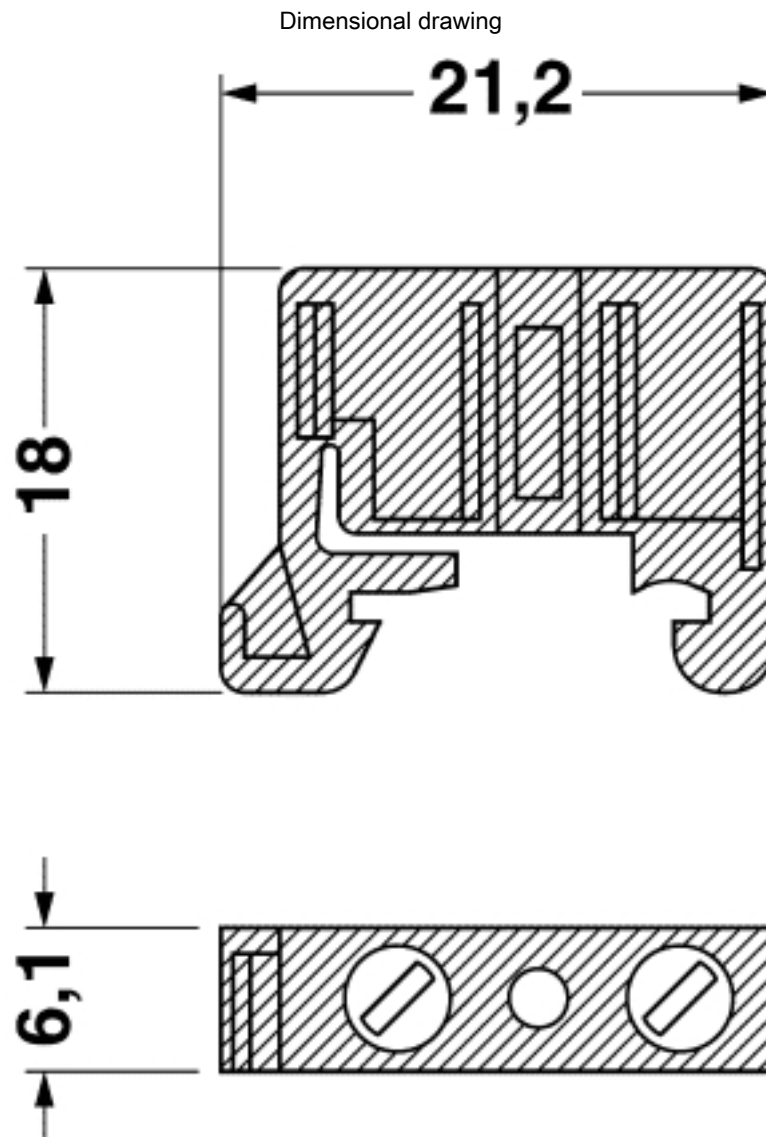
ETIM 2.0	EC000761
ETIM 3.0	EC001041
ETIM 4.0	EC001041
ETIM 5.0	EC001041

UNSPSC

UNSPSC 6.01	30212109
UNSPSC 7.0901	39121708
UNSPSC 11	39121708
UNSPSC 12.01	39121708
UNSPSC 13.2	39121708

Drawings

End clamp - E/MK 1 - 1421659



Phoenix Contact 2016 © - all rights reserved
<http://www.phoenixcontact.com>

PHOENIX CONTACT GmbH & Co. KG
Flachsmarktstr. 8
32825 Blomberg
Germany
Tel. +49 5235 300
Fax +49 5235 3 41200
<http://www.phoenixcontact.com>