

## Shield connection terminal block - SK 14 - 3025176

Please be informed that the data shown in this PDF Document is generated from our Online Catalog. Please find the complete data in the user's documentation. Our General Terms of Use for Downloads are valid (<http://phoenixcontact.com/download>)




Shield connection clamp, for shield on busbars, contact resistance < 1 mΩ

### Product Features

- Easy handling
- Spring-loaded, large-surface pressure plate
- Suitable for direct and busbar mounting
- Knurled screw



### Key Commercial Data

Packing unit	1 pc
Minimum order quantity	10 pc
GTIN	 4 017918 130305
Weight per Piece (excluding packing)	20.3 g
Custom tariff number	85369010
Country of origin	Germany

### Technical data

#### General

Number of levels	1
Number of connections	1
Cable diameter	3 mm ... 14 mm
Color	silver

#### Dimensions

Length	19.5 mm
Width	17 mm

# Shield connection terminal block - SK 14 - 3025176

## Technical data

### Dimensions

Height	59.30 mm
--------	----------

### Connection data

Screw thread	M4
Tightening torque max	0.8 Nm
Connection method	Screw connection

## Classifications

### eCl@ss

eCl@ss 4.0	27141131
eCl@ss 4.1	27141131
eCl@ss 5.0	27141131
eCl@ss 5.1	27141131
eCl@ss 6.0	27141150
eCl@ss 7.0	27141150
eCl@ss 8.0	27141150

### ETIM

ETIM 2.0	EC000897
ETIM 3.0	EC000897
ETIM 4.0	EC002020
ETIM 5.0	EC002020

### UNSPSC

UNSPSC 6.01	30211811
UNSPSC 7.0901	39121410
UNSPSC 11	39121410
UNSPSC 12.01	39121410
UNSPSC 13.2	39121410

## Approvals

### Approvals

---

Approvals

EAC

---

# Shield connection terminal block - SK 14 - 3025176

## Approvals

Ex Approvals

---

Approvals submitted

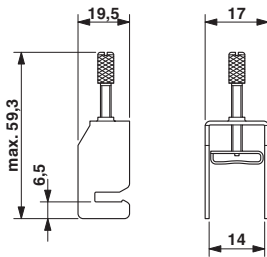
---

Approval details

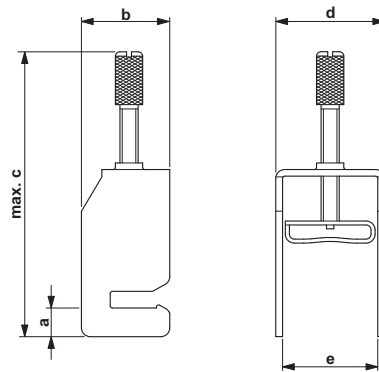
EAC
-----

## Drawings

Dimensional drawing



Dimensional drawing



# Shield connection terminal block - SK 14 - 3025176

Diagram

