

## Solid-state relay module - EMG 10-OE- 5DC/ 48DC/100 - 2948885

Please be informed that the data shown in this PDF Document is generated from our Online Catalog. Please find the complete data in the user's documentation. Our General Terms of Use for Downloads are valid (<http://phoenixcontact.com/download>)



Input solid-state relay, with LED and protective circuit in input and output circuits, input: 5 V DC, output: 4 - 48 V DC/max. 100 mA



### Key Commercial Data

Packing unit	1 pc
GTIN	 4 017918 083557
GTIN	4017918083557
Weight per Piece (excluding packing)	39.370 g
Custom tariff number	85364190
Country of origin	Germany

### Technical data

#### Note

Utilization restriction	EMC: class A product, see manufacturer's declaration in the download area
-------------------------	---

#### Dimensions

Width	10 mm
Height	75 mm
Depth	102 mm

#### Ambient conditions

Ambient temperature (operation)	-20 °C ... 60 °C
Ambient temperature (storage/transport)	-20 °C ... 70 °C
Degree of protection	IP20

# Solid-state relay module - EMG 10-OE- 5DC/ 48DC/100 - 2948885

## Technical data

### Input data

Nominal input voltage $U_N$	5 V DC
Input voltage range in reference to $U_N$	0.8 ... 1.2
Input voltage range	4 V DC ... 6 V DC
Switching threshold "0" signal in reference to $U_N$	$\leq 0.4$
Switching threshold "1" signal in reference to $U_N$	$\geq 0.8$
Typical input current at $U_N$	12 mA
Typical response time	20 $\mu$ s
Typical turn-off time	100 $\mu$ s
Status display	Yellow LED
Type of protection	Reverse polarity protection
	Surge protection
Protective circuit/component	Polarity protection diode
Transmission frequency	500 Hz

### Output data

Output nominal voltage	48 V DC
Output voltage range	4 V DC ... 48 V DC
Limiting continuous current	100 mA
Voltage drop at max. limiting continuous current	0.9 V
Output circuit	2-wire, floating
Type of protection	Reverse polarity protection
	Surge protection
Protective circuit/component	Polarity protection diode

### General

Test voltage input/output	3.5 kV AC
	3.5 kV AC
Mounting position	any
Assembly instructions	In rows with zero spacing
Operating mode	100% operating factor

### Connection data

Connection name	Input side
Connection method	Screw connection
Stripping length	8 mm
Screw thread	M3
Conductor cross section solid	0.2 mm <sup>2</sup> ... 4 mm <sup>2</sup>
Conductor cross section flexible	0.2 mm <sup>2</sup> ... 2.5 mm <sup>2</sup>
Conductor cross section AWG	24 ... 12

# Solid-state relay module - EMG 10-OE- 5DC/ 48DC/100 - 2948885

## Technical data

### Connection data 2

Connection name	Output side
Connection method	Screw connection
Stripping length	8 mm
Screw thread	M3
Conductor cross section solid	0.2 mm <sup>2</sup> ... 4 mm <sup>2</sup>
Conductor cross section flexible	0.2 mm <sup>2</sup> ... 2.5 mm <sup>2</sup>
Conductor cross section AWG	24 ... 12

### Standards and Regulations

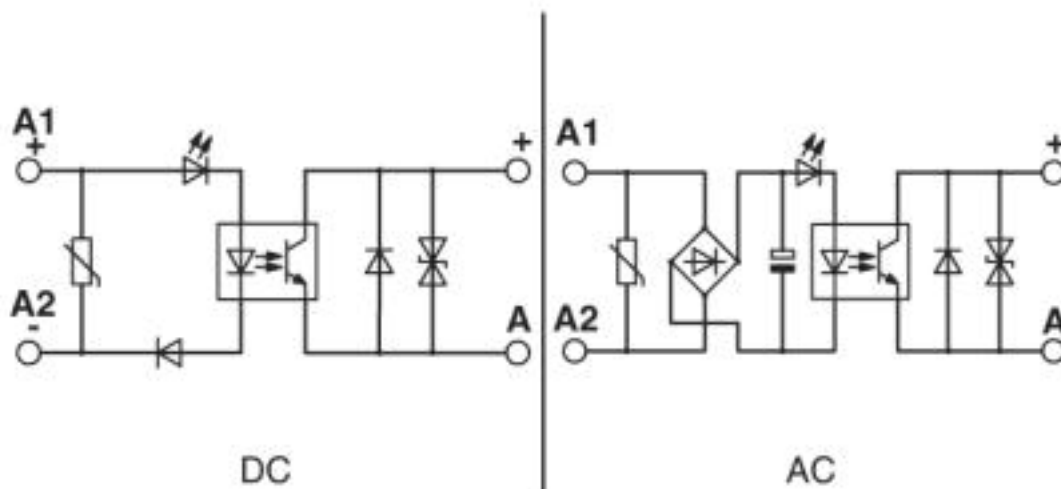
Standards/regulations	IEC 60664
	EN 50178
Insulation	Basic insulation
Pollution degree	2
Overvoltage category	III

### Environmental Product Compliance

	Lead 7439-92-1
China RoHS	Environmentally Friendly Use Period = 50
	For details about hazardous substances go to tab "Downloads", Category "Manufacturer's declaration"

## Drawings

Circuit diagram



# Solid-state relay module - EMG 10-OE- 5DC/ 48DC/100 - 2948885

## Classifications

### eCl@ss

eCl@ss 4.0	27371100
eCl@ss 4.1	27371100
eCl@ss 5.0	27371000
eCl@ss 5.1	27371000
eCl@ss 6.0	27371600
eCl@ss 7.0	27371604
eCl@ss 8.0	27371604
eCl@ss 9.0	27371604

### ETIM

ETIM 2.0	EC001504
ETIM 3.0	EC001504
ETIM 4.0	EC001504
ETIM 5.0	EC001504
ETIM 6.0	EC001504
ETIM 7.0	EC001504

### UNSPSC

UNSPSC 6.01	30211916
UNSPSC 7.0901	39121542
UNSPSC 11	39121542
UNSPSC 12.01	39121542
UNSPSC 13.2	39122326
UNSPSC 18.0	39122326
UNSPSC 19.0	39122326
UNSPSC 20.0	39122326
UNSPSC 21.0	39122326

## Approvals

### Approvals

---

Approvals

EAC / EAC

---


Ex Approvals


---

## Solid-state relay module - EMG 10-OE- 5DC/ 48DC/100 - 2948885

### Approvals

#### Approval details

EAC		TR_TS_D_00573_c
-----	---	-----------------

EAC		TR_TS_S_00010_c
-----	---	-----------------

### Accessories

#### Accessories

#### Marking material - EMG-GKS 12 - 2947035



Device marking label, width: 12 mm, area: 12 x 8 mm, e.g. for EML(10x7) R adhesive marking material