

Electronics enclosure - EMH 25-LG - 2944122

Please be informed that the data shown in this PDF Document is generated from our Online Catalog. Please find the complete data in the user's documentation. Our General Terms of Use for Downloads are valid (<http://phoenixcontact.com/download>)



Electronics enclosure, for PCB insertion, without screw connection terminal blocks



Key Commercial Data

Packing unit	1 pc
GTIN	 4 017918 081447
Weight per Piece (excluding packing)	34.89 g
Custom tariff number	85369010
Country of origin	Germany

Technical data

General

Housing type	Complete housing
Housing material	Polycarbonate
Color	green

Ambient conditions

Ambient temperature (operation)	-40 °C ... 125 °C
---------------------------------	-------------------

Dimensions

Length	75 mm
Width	25 mm

Technical data

Flammability rating according to UL 94	V0
Number of positions	14

Electronics enclosure - EMH 25-LG - 2944122

Classifications

eCl@ss

eCl@ss 4.0	27180401
eCl@ss 4.1	27180401
eCl@ss 5.0	27180506
eCl@ss 5.1	27180506
eCl@ss 6.0	27180802
eCl@ss 7.0	27182702
eCl@ss 8.0	27182702

ETIM

ETIM 2.0	EC001031
ETIM 3.0	EC001031
ETIM 4.0	EC001031
ETIM 5.0	EC001031

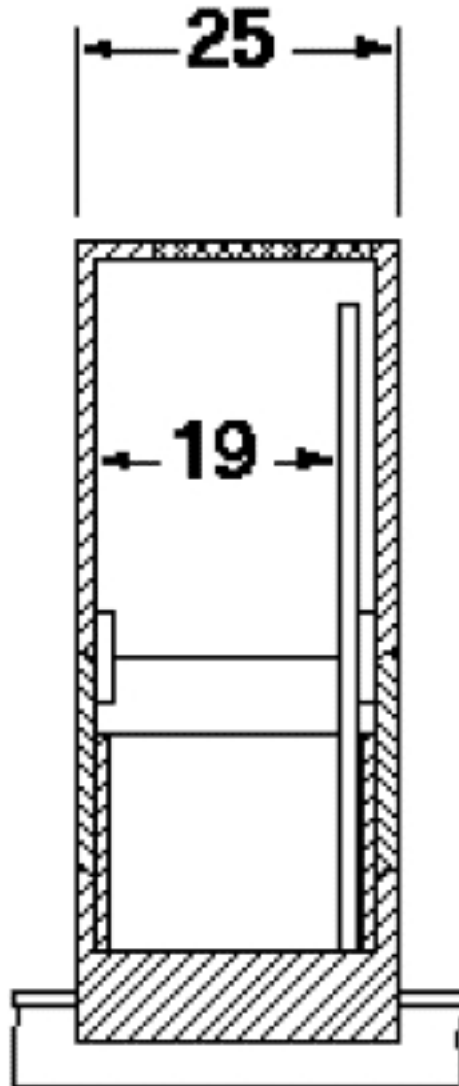
UNSPSC

UNSPSC 6.01	31261501
UNSPSC 7.0901	31261501
UNSPSC 11	31261501
UNSPSC 12.01	31261501
UNSPSC 13.2	31261501

Drawings

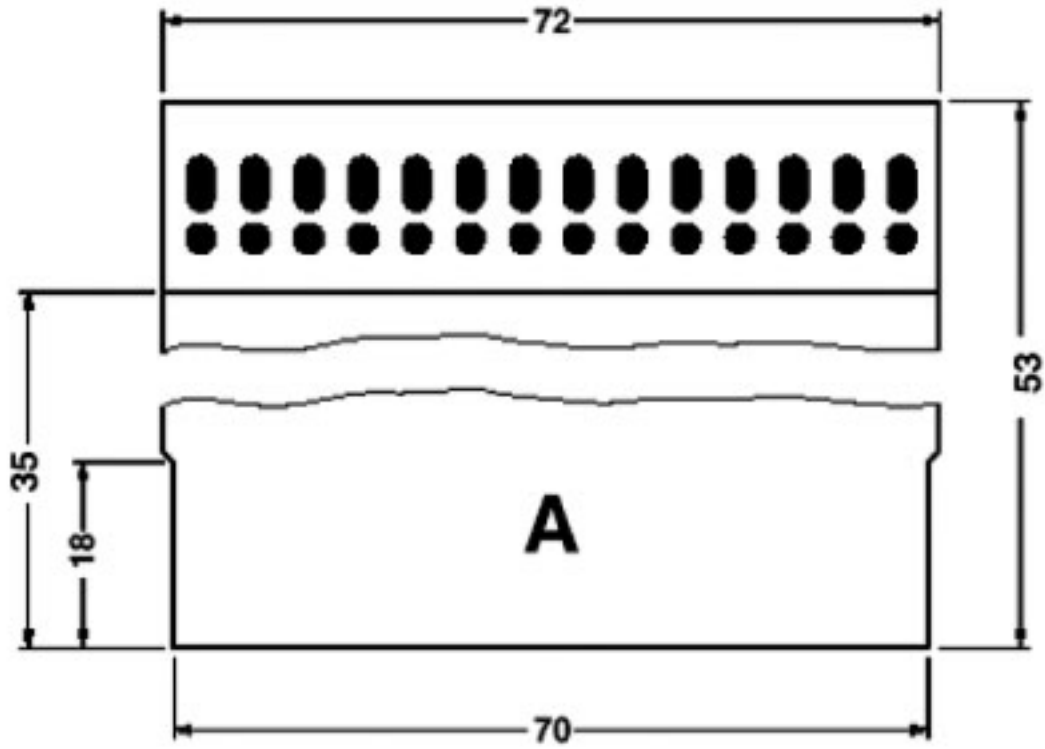
Electronics enclosure - EMH 25-LG - 2944122

Dimensional drawing



Electronics enclosure - EMH 25-LG - 2944122

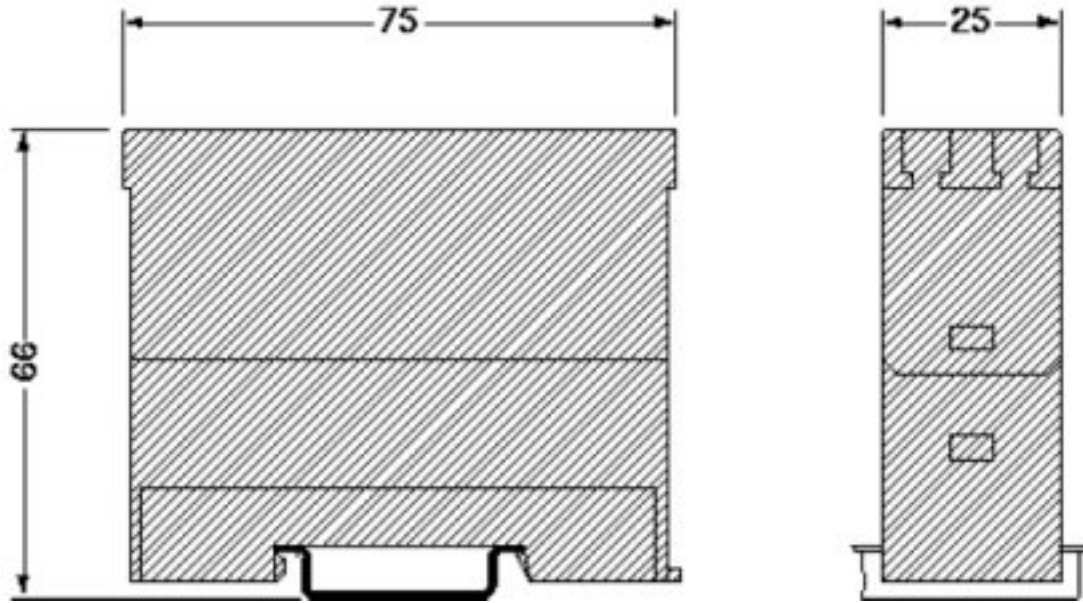
Dimensional drawing



Soldering side of the PCB
A = overall component area

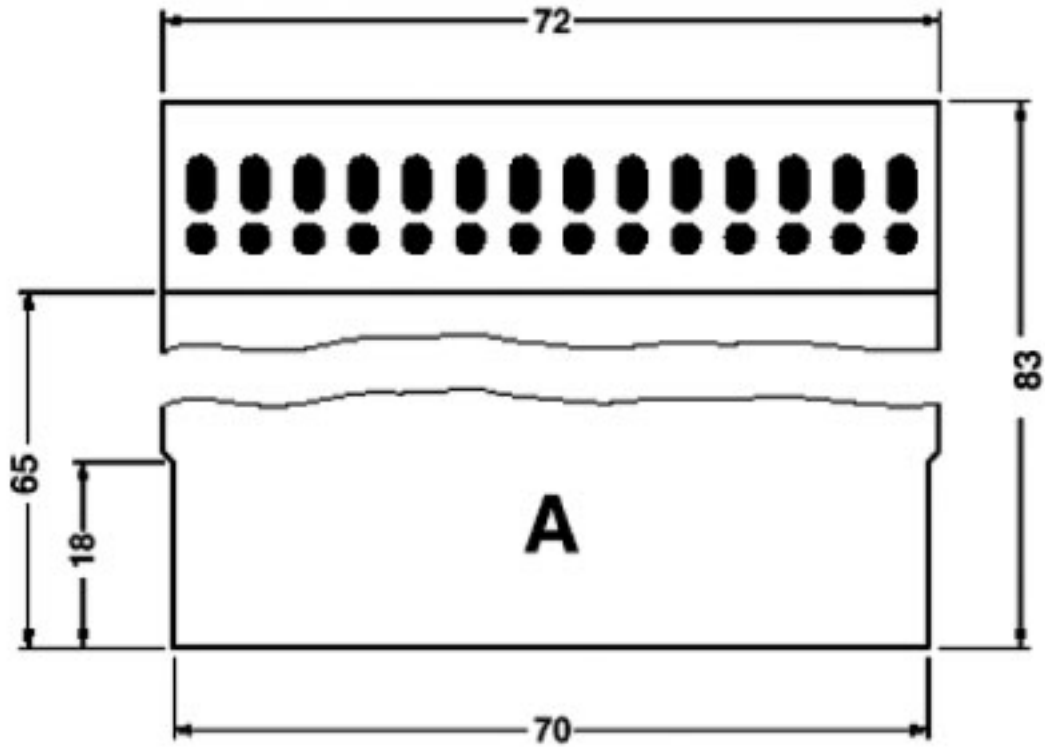
Electronics enclosure - EMH 25-LG - 2944122

Dimensional drawing



Electronics enclosure - EMH 25-LG - 2944122

Dimensional drawing

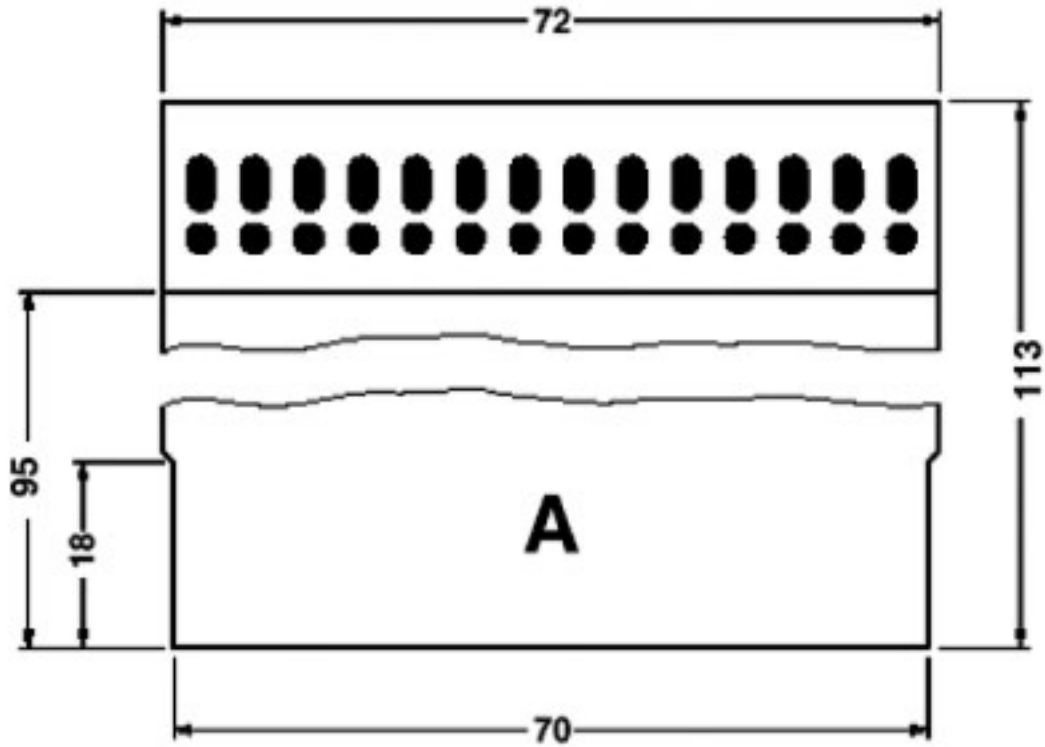


Soldering side of PCB layout

A = Overall component area on EMH 25-LG, with intermediate element EMH 25-ZE 30

Electronics enclosure - EMH 25-LG - 2944122

Dimensional drawing

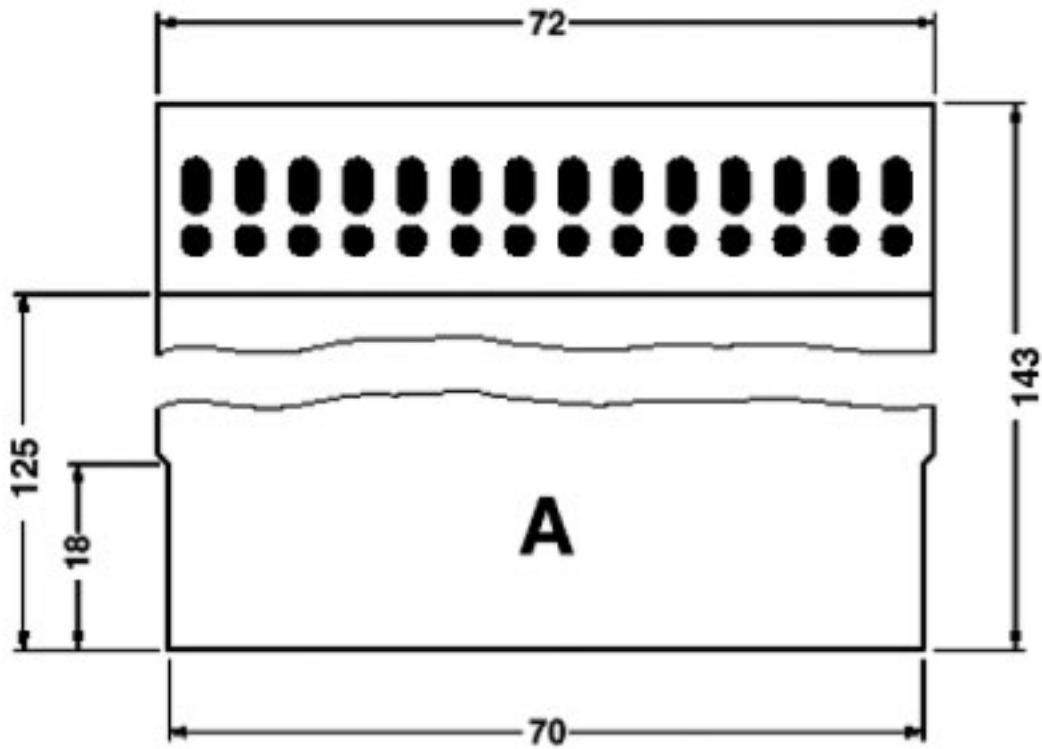


Soldering side of PCB layout

A = Overall component area on EMH 25-LG, with intermediate element EMH 25-ZE 60

Electronics enclosure - EMH 25-LG - 2944122

Dimensional drawing



Soldering side of PCB layout

A = overall component area on EMH 25-LG, with intermediate elements EMH 25-ZE 30 and EMH 25-ZE 60