

## Thermomagnetic device circuit breaker - TMC 82D 01A - 2907650

Please be informed that the data shown in this PDF Document is generated from our Online Catalog. Please find the complete data in the user's documentation. Our General Terms of Use for Downloads are valid (<http://phoenixcontact.com/download>)



Thermomagnetic device circuit breaker, number of positions: 2, width: 35.3 mm, mounting type: DIN rail, Color: gray



### Key Commercial Data

Packing unit	1 STK
Weight per Piece (excluding packing)	150.000 g
Country of origin	China

### Technical data

#### General

Mounting type	DIN rail
Color	gray
Number of positions	2

#### Electrical data

Operating voltage	277 V AC (277/480Y, 240D)
	125 V DC (two poles in series)
Rated current $I_N$	1 A
Rated short-circuit switching capacity $I_{cn}$	10 kA (IC)

#### Dimensions

Height	116 mm
Width	35.3 mm
Depth	65.7 mm

#### Ambient conditions

Ambient temperature (operation)	-35 °C ... 70 °C
---------------------------------	------------------

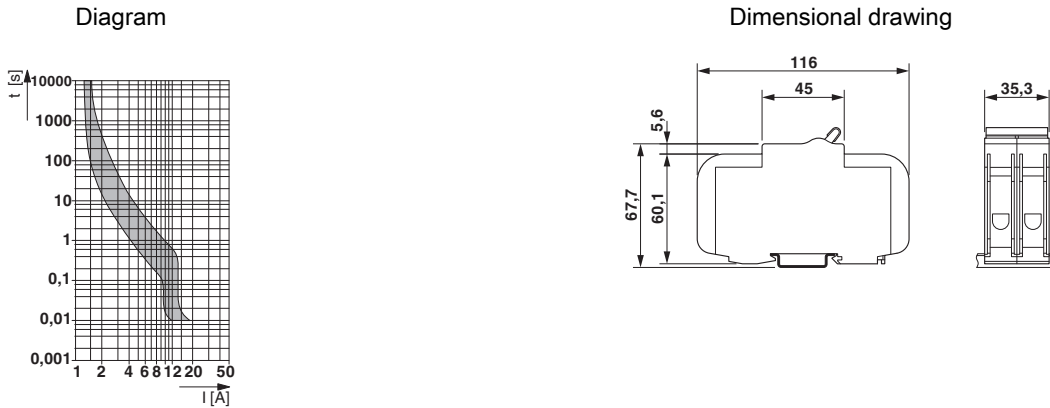
# Thermomagnetic device circuit breaker - TMC 82D 01A - 2907650

## Technical data

### Standards and Regulations

Standards/specifications	UL 489 IEC 60947-2
--------------------------	--------------------

## Drawings



## Classifications

### eCl@ss

eCl@ss 4.0	27141116
eCl@ss 4.1	27141116
eCl@ss 5.0	27141116
eCl@ss 5.1	27141116
eCl@ss 6.0	27141116
eCl@ss 7.0	27141116
eCl@ss 8.0	27141116
eCl@ss 9.0	27141116

### ETIM

ETIM 3.0	EC000899
ETIM 4.0	EC000899
ETIM 5.0	EC000899
ETIM 6.0	EC000899

### UNSPSC

UNSPSC 6.01	30211812
UNSPSC 7.0901	39121411
UNSPSC 11	39121411
UNSPSC 12.01	39121411

# Thermomagnetic device circuit breaker - TMC 82D 01A - 2907650

## Classifications

### UNSPSC

UNSPSC 13.2	39121620
-------------	----------

## Approvals

### Approvals

#### Approvals

UL Listed / cUL Listed / cULus Listed

#### Ex Approvals

## Approval details

UL Listed		<a href="http://database.ul.com/cgi-bin/XYV/template/LISEXT/1FRAME/index.htm">http://database.ul.com/cgi-bin/XYV/template/LISEXT/1FRAME/index.htm</a>	FILE E 320373
-----------	--	---	---------------

cUL Listed		<a href="http://database.ul.com/cgi-bin/XYV/template/LISEXT/1FRAME/index.htm">http://database.ul.com/cgi-bin/XYV/template/LISEXT/1FRAME/index.htm</a>	FILE E 320373
------------	--	---	---------------

cULus Listed			
--------------	--	--	--