

## Thermomagnetic device circuit breaker - TMC 81C 04A - 2907561

Please be informed that the data shown in this PDF Document is generated from our Online Catalog. Please find the complete data in the user's documentation. Our General Terms of Use for Downloads are valid (<http://phoenixcontact.com/download>)



Thermomagnetic device circuit breaker, number of positions: 1, width: 17.6 mm, mounting type: DIN rail: 35 mm, Color: gray

RoHS

### Key Commercial Data

Packing unit	1 STK
Weight per Piece (excluding packing)	150.000 g
Country of origin	China

### Technical data

#### General

Mounting type	DIN rail: 35 mm
Color	gray
Number of positions	1

#### Electrical data

Operating voltage	277 V AC
	60 V DC
Rated current $I_N$	4 A
Rated short-circuit switching capacity $I_{cn}$	10 kA (IC)

#### Dimensions

Height	116 mm
Width	17.6 mm
Depth	65.7 mm

#### Ambient conditions

Ambient temperature (operation)	-35 °C ... 70 °C
---------------------------------	------------------

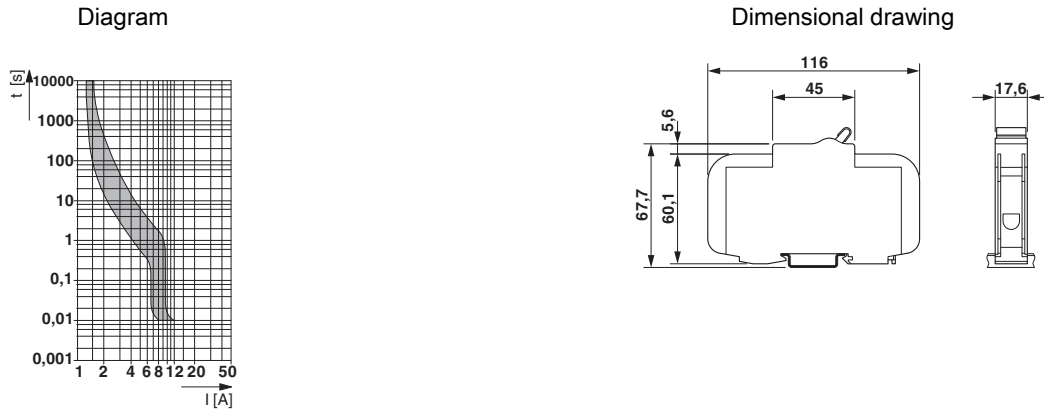
# Thermomagnetic device circuit breaker - TMC 81C 04A - 2907561

## Technical data

### Standards and Regulations

Standards/specifications	UL 489 IEC 60947-2
--------------------------	--------------------

## Drawings



## Classifications

### eCl@ss

eCl@ss 4.0	27141116
eCl@ss 4.1	27141116
eCl@ss 5.0	27141116
eCl@ss 5.1	27141116
eCl@ss 6.0	27141116
eCl@ss 7.0	27141116
eCl@ss 8.0	27141116
eCl@ss 9.0	27141116

### ETIM

ETIM 3.0	EC000899
ETIM 4.0	EC000899
ETIM 5.0	EC000899
ETIM 6.0	EC000899

### UNSPSC

UNSPSC 6.01	30211812
UNSPSC 7.0901	39121411
UNSPSC 11	39121411
UNSPSC 12.01	39121411

# Thermomagnetic device circuit breaker - TMC 81C 04A - 2907561

## Classifications

### UNSPSC

UNSPSC 13.2	39121620
-------------	----------

## Approvals

### Approvals

---

#### Approvals


UL Listed / cUL Listed / cULus Listed


---

#### Ex Approvals

---

## Approval details

UL Listed		<a href="http://database.ul.com/cgi-bin/XYV/template/LISEXT/1FRAME/index.htm">http://database.ul.com/cgi-bin/XYV/template/LISEXT/1FRAME/index.htm</a>	FILE E 320373
-----------	--	---	---------------

cUL Listed		<a href="http://database.ul.com/cgi-bin/XYV/template/LISEXT/1FRAME/index.htm">http://database.ul.com/cgi-bin/XYV/template/LISEXT/1FRAME/index.htm</a>	FILE E 320373
------------	---	---	---------------

cULus Listed			
--------------	---	--	--