

## Thermomagnetic device circuit breaker - TMC 82B 01A - 2907502

Please be informed that the data shown in this PDF Document is generated from our Online Catalog. Please find the complete data in the user's documentation. Our General Terms of Use for Downloads are valid (<http://phoenixcontact.com/download>)



Thermomagnetic device circuit breaker, number of positions: 2, connection method: Screw, cross section: 1 mm<sup>2</sup>- 35 mm<sup>2</sup>, AWG: 18 - 2, width: 35.3 mm, mounting type: DIN rail, Color: gray

RoHS

### Key Commercial Data

Packing unit	1 STK
Weight per Piece (excluding packing)	1.000 g
Country of origin	China

### Technical data

#### General

Mounting type	DIN rail
Color	gray
Number of positions	2

#### Electrical data

Operating voltage	277 V AC (277/480Y, 240D)
	125 V DC (two poles in series)
Rated current $I_N$	1 A
Rated short-circuit switching capacity $I_{cn}$	10 kA (IC)

#### Dimensions

Height	116 mm
Width	35.3 mm
Depth	65.7 mm

#### Ambient conditions

Ambient temperature (operation)	-35 °C ... 70 °C
---------------------------------	------------------

# Thermomagnetic device circuit breaker - TMC 82B 01A - 2907502

## Technical data

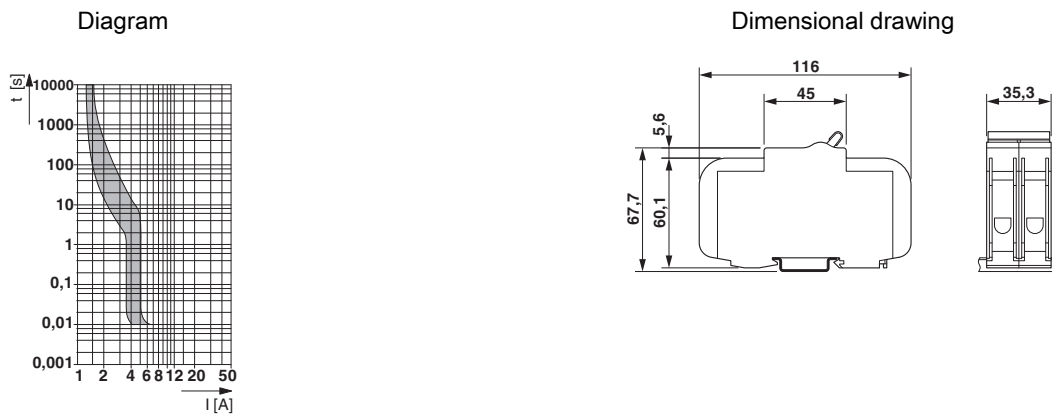
### Connection data

Conductor cross section solid min.	1 mm <sup>2</sup>
Conductor cross section solid max.	35 mm <sup>2</sup>
Conductor cross section flexible min.	1 mm <sup>2</sup>
Conductor cross section flexible max.	35 mm <sup>2</sup>
Conductor cross section AWG min.	18
Conductor cross section AWG max.	2
Connection method	Screw
Tightening torque max	2 Nm

### Standards and Regulations

Standards/specifications	UL 489
	IEC 60947-2

## Drawings



## Classifications

### eCl@ss

eCl@ss 4.0	27141116
eCl@ss 4.1	27141116
eCl@ss 5.0	27141116
eCl@ss 5.1	27141116
eCl@ss 6.0	27141116
eCl@ss 7.0	27141116
eCl@ss 8.0	27141116
eCl@ss 9.0	27141116

# Thermomagnetic device circuit breaker - TMC 82B 01A - 2907502

## Classifications

### ETIM

ETIM 3.0	EC000899
ETIM 4.0	EC000899
ETIM 5.0	EC000899
ETIM 6.0	EC000899

### UNSPSC

UNSPSC 6.01	30211812
UNSPSC 7.0901	39121411
UNSPSC 11	39121411
UNSPSC 12.01	39121411
UNSPSC 13.2	39121620

## Approvals

### Approvals

#### Approvals

UL Listed / cUL Listed / cULus Listed

#### Ex Approvals

### Approval details

UL Listed		<a href="http://database.ul.com/cgi-bin/XYV/template/LISEXT/1FRAME/index.htm">http://database.ul.com/cgi-bin/XYV/template/LISEXT/1FRAME/index.htm</a>	FILE E 320373
-----------	--	---	---------------

cUL Listed		<a href="http://database.ul.com/cgi-bin/XYV/template/LISEXT/1FRAME/index.htm">http://database.ul.com/cgi-bin/XYV/template/LISEXT/1FRAME/index.htm</a>	FILE E 320373
------------	--	---	---------------

cULus Listed			
--------------	--	--	--

## Thermomagnetic device circuit breaker - TMC 82B 01A - 2907502

### Accessories

#### Accessories

#### Bridge

Wiring bridge - TMC 8 B2 80 56 C - 2907993



Bus bar for TMC 82... circuit breakers

---

Wiring bridge - TMC 8 B2 80 46 CA - 2907995



Bus bar for TMC 82... circuit breakers with auxiliary contact module

---

Terminal adapter - TMC 8 B TERM PIN - 2907998



Wiring bridge end cover - TMC 8 B END CAP - 2907999



Wiring bridge end cover - TMC 8 B BUS CAP - 2908000



## Thermomagnetic device circuit breaker - TMC 82B 01A - 2907502

### Accessories

---

#### Thermomagnetic device circuit breaker - TMC 7/8 AUX - 2908219



Thermomagnetic device circuit breaker, number of positions: 1, connection method: Screw, cross section: 1 mm<sup>2</sup>- 35 mm<sup>2</sup>, AWG: 18 - 2, width: 9 mm, mounting type: Snaps on to side of circuit breaker, Color: gray

---

#### Thermomagnetic device circuit breaker - TMC 7/8 ALARM - 2908220



Thermomagnetic device circuit breaker, number of positions: 1, connection method: Screw, cross section: 1 mm<sup>2</sup>- 35 mm<sup>2</sup>, AWG: 18 - 2, width: 9 mm, mounting type: Snaps on to side of circuit breaker, Color: gray

---

#### Thermomagnetic device circuit breaker - TMC 7/8 12VDC SHNT - 2908221



Thermomagnetic device circuit breaker, number of positions: 1, connection method: Screw, cross section: 1 mm<sup>2</sup>- 35 mm<sup>2</sup>, AWG: 18 - 2, width: 18 mm, mounting type: Snaps on to side of circuit breaker, Color: gray

---

#### Thermomagnetic device circuit breaker - TMC 7/8 24VDC SHNT - 2908222



Thermomagnetic device circuit breaker, connection method: Screw, cross section: 1 mm<sup>2</sup>- 35 mm<sup>2</sup>, AWG: 18 - 2, width: 18 mm, mounting type: Snaps on to side of circuit breaker, Color: gray

---

#### Thermomagnetic device circuit breaker - TMC 7/8 48VDC SHNT - 2908224



Thermomagnetic device circuit breaker, connection method: Screw, cross section: 1 mm<sup>2</sup>- 35 mm<sup>2</sup>, AWG: 18 - 2, width: 18 mm, mounting type: Snaps on to side of circuit breaker, Color: gray

---

## Thermomagnetic device circuit breaker - TMC 82B 01A - 2907502

### Accessories

#### Thermomagnetic device circuit breaker - TMC 7/8 125VDC SHNT - 2908225



Thermomagnetic device circuit breaker, connection method: Screw, cross section: 1 mm<sup>2</sup>- 35 mm<sup>2</sup>, AWG: 18 - 2, width: 18 mm, mounting type: Snaps on to side of circuit breaker, Color: gray

---

#### Thermomagnetic device circuit breaker - TMC 7/8 120VAC SHNT - 2908226



Thermomagnetic device circuit breaker, connection method: Screw, cross section: 1 mm<sup>2</sup>- 35 mm<sup>2</sup>, AWG: 18 - 2, width: 18 mm, mounting type: Snaps on to side of circuit breaker, Color: gray

---

#### Thermomagnetic device circuit breaker - TMC 7/8 240VAC SHNT - 2908227



Thermomagnetic device circuit breaker, connection method: Screw, cross section: 1 mm<sup>2</sup>- 35 mm<sup>2</sup>, AWG: 18 - 2, width: 18 mm, mounting type: Snaps on to side of circuit breaker, Color: gray

---

#### Thermomagnetic device circuit breaker - TMC 7/8 277VAC SHNT - 2908228



Thermomagnetic device circuit breaker, connection method: Screw, cross section: 1 mm<sup>2</sup>- 35 mm<sup>2</sup>, AWG: 18 - 2, width: 18 mm, mounting type: Snaps on to side of circuit breaker, Color: gray

---