

## Electronic device circuit breaker - CBM E4 24DC/0.5-10A NO-R - 2905743

Please be informed that the data shown in this PDF Document is generated from our Online Catalog. Please find the complete data in the user's documentation. Our General Terms of Use for Downloads are valid (<http://phoenixcontact.com/download>)




Multi-channel, electronic device circuit breaker with active current limitation for protecting four loads at 24 V DC in the event of overload and short circuit. With nominal current assistant and electronic locking of the set nominal currents. For installation on DIN rails.

### Why buy this product

- ✓ For protection against voltage dips caused by overload and short circuit
- ✓ Precise nominal current levels of 0.5 to 10 A
- ✓ Integrated dynamic current limitation
- ✓ Electronic locking mechanism to increase system safety
- ✓ Early warning when exceeding 80% of the set nominal current per channel
- ✓ Supply up to 40 A possible
- ✓ Sophisticated remote signaling concept enables monitoring from any location
- ✓ Slim design

### Key Commercial Data

Packing unit	1 STK
GTIN	 4 046356 992350
GTIN	4046356992350
Weight per Piece (excluding packing)	320.000 g
Custom tariff number	85362010
Country of origin	Germany

### Technical data

#### Dimensions

Height	130 mm
Width	41 mm

# Electronic device circuit breaker - CBM E4 24DC/0.5-10A NO-R - 2905743

## Technical data

### Dimensions

Depth	121 mm
-------	--------

### Ambient conditions

Ambient temperature (operation)	-25 °C ... 70 °C (Startup at -40 C type-tested)
	-25 °C ... 65 °C (for UL 2367)
Ambient temperature (storage/transport)	-40 °C ... 80 °C
Humidity test	240 h, 95% RH, 40°C
Altitude	6000 m
Shock (operation)	30g
Degree of protection	IP20

### General

Mounting type	DIN rail: 35 mm
Protection class	III
Degree of pollution	2
Design	Rail-mountable module, one-piece

### Electrical data

Fuse type	Electronic
Rated surge voltage	0.5 kV
Operating voltage	18 V DC ... 30 V DC
Rated voltage	24 V DC
Rated current $I_N$	max. 40 A DC
	max. 40 A DC (Per terminal position)
	0.5 / 1 / 2 / 4 / 6 / 10 A DC (adjustable per output channel)
Measuring tolerance I	typ. 40 % (0.5 ... 1 A)
	typ. 10 % (2 - 10 A)
Rated insulation voltage $U_i$	30 V (Load circuit)
Feedback resistance	max. 35 V DC
Switch-on delay	0.1 s (per output channel)
	Remote indication contact
Required backup fuse	not required, integrated failsafe element
Internal output fuse	15 A DC (per output channel)
Active current limitation	Typ. $2.0 \times I_N$ (0.5 - 1 A)
	Typ. $1.5 \times I_N$ (2 - 10 A)
Status display	LED (green, yellow, red)
Efficiency	> 99 %
Closed circuit current $I_o$	typ. 42 mA
Power dissipation	1 W (No-load operation)

# Electronic device circuit breaker - CBM E4 24DC/0.5-10A NO-R - 2905743

## Technical data

### Electrical data

	9 W (Nominal operation)
Module initialization time	3.3 s
Waiting time after switch off of a channel	10 s (of overload / short circuit)
Temperature derating	40 A DC (at 70°C (65°C for UL 2367))
Tripping method	E (electronic)
Dielectric strength	max. 30 V DC (Load circuit)
Contact type	without electrical isolation
MTBF (IEC 61709, SN 29500)	2001962 h (at 25 °C)
	1292135 h (at 40 °C)
	653352 h (at 60 °C)
Shutdown time load circuit	0.02 s (> 1.3 x I <sub>N</sub> )
	30 s (1,1 ... 1,3 x I <sub>N</sub> )
Undervoltage shutdown load circuit	≤ 17.8 V DC (active)
	≥ 19 V DC (inactive)
Surge voltage shutdown load circuit	≥ 30.5 V DC (active)
	≤ 29.5 V DC (inactive)
Max. capacitive load load circuit	75000 µF (per channel at 24 V DC)
Output voltage status output	24 V DC
Output current status output	max. 20 mA (when I > 80% at at least one channel)
Input voltage reset input	7 V DC ... 30 V DC (Falling edge)
Vibration resistance, frequency	15 Hz ... 150 Hz
Vibration resistance, acceleration	39.2 m/s <sup>2</sup>
Vibration resistance, test duration	90 min.

### Remote indication contact

Connection name	Remote indication circuit
Switching function	N/O contact
Stripping length	10 mm
Conductor cross section solid	0.2 mm <sup>2</sup> ... 2.5 mm <sup>2</sup>
Conductor cross section AWG	24 ... 12
Conductor cross section, flexible, with ferrule, with plastic sleeve	1.5 mm <sup>2</sup> ... 0.25 mm <sup>2</sup>
Conductor cross section flexible, with ferrule without plastic sleeve	0.25 mm <sup>2</sup> ... 2.5 mm <sup>2</sup>
DC operating voltage	0 V DC ... 30 V DC
DC operating current	1 mA DC ... 100 mA

### Connection data

Connection name	Main circuit IN+
Connection method	Push-in connection

# Electronic device circuit breaker - CBM E4 24DC/0.5-10A NO-R - 2905743

## Technical data

### Connection data

Stripping length	18 mm
Conductor cross section solid	0.75 mm <sup>2</sup> ... 16 mm <sup>2</sup>
Conductor cross section AWG	20 ... 4
Conductor cross section, flexible, with ferrule, with plastic sleeve	0.75 mm <sup>2</sup> ... 10 mm <sup>2</sup>
Conductor cross section flexible, with ferrule without plastic sleeve	0.75 mm <sup>2</sup> ... 16 mm <sup>2</sup>
Connection name	Main circuit IN-
Connection method	Push-in connection
Stripping length	10 mm
Conductor cross section solid	0.2 mm <sup>2</sup> ... 2.5 mm <sup>2</sup>
Conductor cross section AWG	24 ... 12
Conductor cross section, flexible, with ferrule, with plastic sleeve	0.25 mm <sup>2</sup> ... 1.5 mm <sup>2</sup>
Conductor cross section flexible, with ferrule without plastic sleeve	0.25 mm <sup>2</sup> ... 2.5 mm <sup>2</sup>
Connection name	Main circuit OUT
Connection method	Push-in connection
Stripping length	10 mm
Conductor cross section solid	0.2 mm <sup>2</sup> ... 2.5 mm <sup>2</sup>
Conductor cross section AWG	24 ... 12
Conductor cross section, flexible, with ferrule, with plastic sleeve	0.25 mm <sup>2</sup> ... 1.5 mm <sup>2</sup>
Conductor cross section flexible, with ferrule without plastic sleeve	0.25 mm <sup>2</sup> ... 2.5 mm <sup>2</sup>

### Standards and Regulations

Standards/specifications	EN 61000-6-2
	EN 61000-6-3
	EN 60068-2-6
	EN 60068-2-11
	EN 60068-2-78

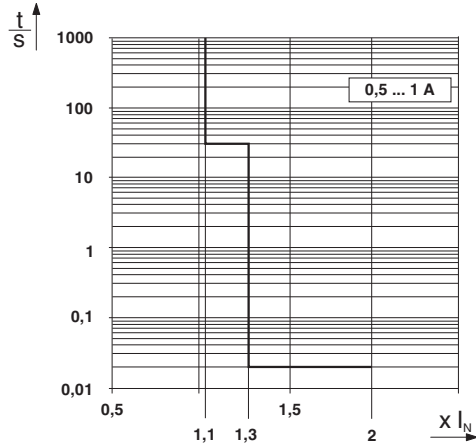
### Environmental Product Compliance

China RoHS	Environmentally friendly use period: unlimited = EFUP-e
	No hazardous substances above threshold values

## Drawings

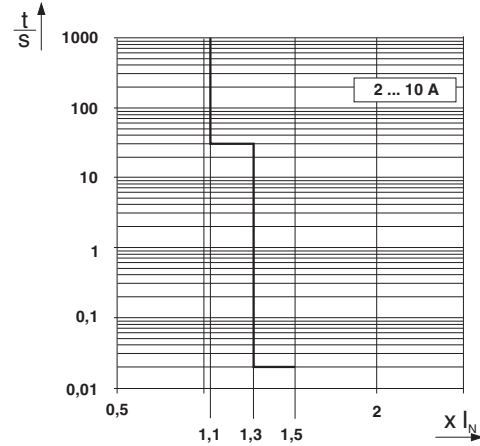
# Electronic device circuit breaker - CBM E4 24DC/0.5-10A NO-R - 2905743

Diagram



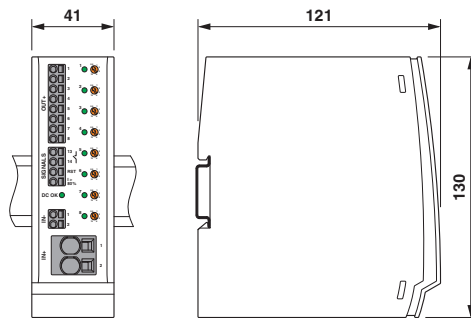
Trigger characteristic in the DC range

Diagram



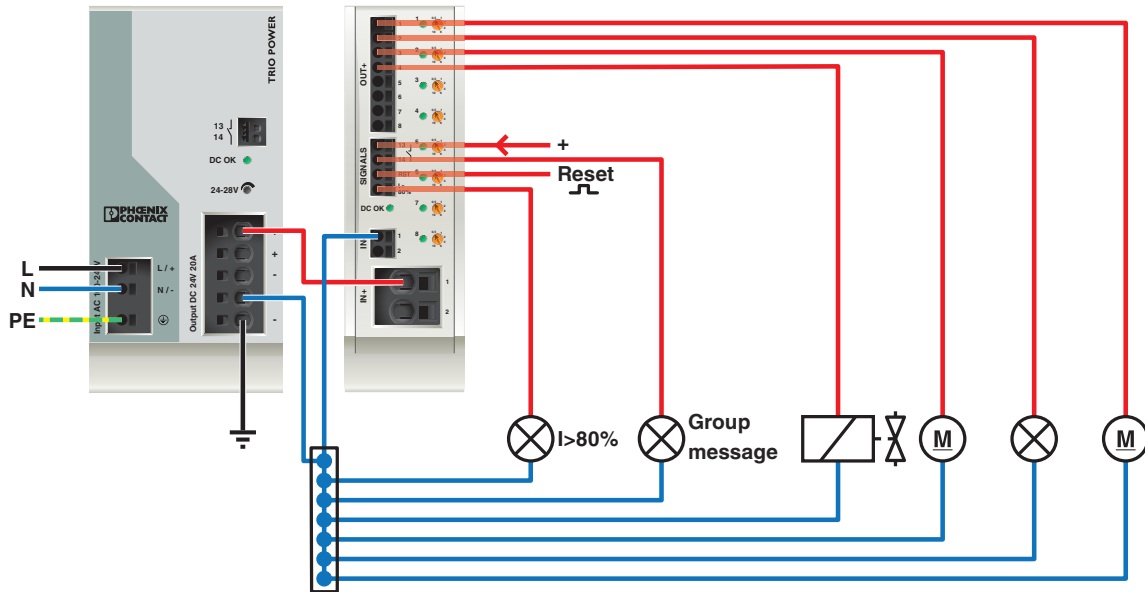
Trigger characteristic in the DC range

Dimensional drawing



# Electronic device circuit breaker - CBM E4 24DC/0.5-10A NO-R - 2905743

Application drawing



## Classifications

eCl@ss

eCl@ss 5.1	27141116
eCl@ss 6.0	27141116
eCl@ss 8.0	27141116
eCl@ss 9.0	27141116

ETIM

ETIM 5.0	EC000899
ETIM 6.0	EC000899

UNSPSC

UNSPSC 13.2	39121410
-------------	----------

## Approvals

Approvals

# Electronic device circuit breaker - CBM E4 24DC/0.5-10A NO-R - 2905743

## Approvals

### Approvals

UL Listed / cUL Listed / UL Recognized / EAC / DNV GL / cULus Listed

---

### Ex Approvals

UL Recognized / UL Listed / cUL Listed / cULus Listed

---

## Approval details

UL Listed		<a href="http://database.ul.com/cgi-bin/XYV/template/LISEXT/1FRAME/index.htm">http://database.ul.com/cgi-bin/XYV/template/LISEXT/1FRAME/index.htm</a>	FILE E 123528
cUL Listed		<a href="http://database.ul.com/cgi-bin/XYV/template/LISEXT/1FRAME/index.htm">http://database.ul.com/cgi-bin/XYV/template/LISEXT/1FRAME/index.htm</a>	FILE E 123528
UL Recognized		<a href="http://database.ul.com/cgi-bin/XYV/template/LISEXT/1FRAME/index.htm">http://database.ul.com/cgi-bin/XYV/template/LISEXT/1FRAME/index.htm</a>	FILE E 317172
EAC			RU C- DE.A*30.B01561
DNV GL		<a href="http://exchange.dnv.com/tari/">http://exchange.dnv.com/tari/</a>	TAA00000U2
cULus Listed			

## Accessories

Accessories

Power supply

## Electronic device circuit breaker - CBM E4 24DC/0.5-10A NO-R - 2905743

### Accessories

Power supply unit - TRIO-PS-2G/1AC/24DC/3/C2LPS - 2903147



Primary-switched TRIO POWER power supply with push-in connection for DIN rail mounting, input: 1-phase, output: 24 V DC/3 A C2LPS

---

Power supply unit - TRIO-PS-2G/1AC/24DC/5 - 2903148



Primary-switched TRIO POWER power supply with push-in connection for DIN rail mounting, input: 1-phase, output: 24 V DC/5 A

---

Power supply unit - TRIO-PS-2G/1AC/24DC/10 - 2903149



Primary-switched TRIO POWER power supply with push-in connection for DIN rail mounting, input: single phase, output: 24 V DC/10 A

---

Power supply unit - TRIO-PS-2G/1AC/24DC/20 - 2903151



Primary-switched TRIO POWER power supply with push-in connection for DIN rail mounting, input: single-phase, output: 24 V DC/20 A

---

Power supply unit - TRIO-PS-2G/3AC/24DC/5 - 2903153



Primary-switched TRIO POWER power supply with push-in connection for DIN rail mounting, input: 3-phase, output: 24 V DC/5 A

---



## Electronic device circuit breaker - CBM E4 24DC/0.5-10A NO-R - 2905743

### Accessories

Power supply unit - TRIO-PS-2G/3AC/24DC/10 - 2903154



Primary-switched TRIO POWER power supply with push-in connection for DIN rail mounting, input: 3-phase, output: 24 V DC/10 A

---

Power supply unit - TRIO-PS-2G/3AC/24DC/20 - 2903155



Primary-switched TRIO POWER power supply with push-in connection for DIN rail mounting, input: 3-phase, output: 24 V DC/20 A

---

---