

## Interface module - UM-D37M/DS/FU/LED/AID16/C300/R - 2905197

Please be informed that the data shown in this PDF Document is generated from our Online Catalog. Please find the complete data in the user's documentation. Our General Terms of Use for Downloads are valid (<http://phoenixcontact.com/download>)




VARIOFACE module intended for use with Honeywell Experion C300 16-channel analog input cards. Channels 1 to 16 feature differential inputs.

### Why buy this product

- ✓ These VARIOFACE modules are used in combination with the relevant front adapters
- ✓ Per channel pluggable 500 mA fusing
- ✓ UM-PRO housing
- ✓ DIN rail mounting, includes grounding foot
- ✓ LED blown fusing indication
- ✓ Per channel shield connection
- ✓ Per channel disconnects with test points



### Key Commercial Data

Packing unit	1 STK
GTIN	 4 055626 002958
GTIN	4055626002958
Weight per Piece (excluding packing)	520.000 g
Custom tariff number	85369010
Country of origin	United States

### Technical data

#### Dimensions

Width	184 mm
Height	142.3 mm
Depth	65.6 mm

## Interface module - UM-D37M/DS/FU/LED/AID16/C300/R - 2905197

### Technical data

#### Ambient conditions

Ambient temperature (operation)	-40 °C ... 60 °C
Ambient temperature (storage/transport)	-40 °C ... 75 °C

#### General

Max. perm. operating voltage	24 V DC
Max. perm. current (per branch)	500 mA (fuse limited)
Number of positions	37
Status display	No
Mounting position	any
Assembly instructions	In rows with zero spacing

#### Connection data for connection 1

Connection name	Field level
Connection method	Screw connection with disconnect knife
Stripping length	8 mm
Screw thread	M 3
Conductor cross section solid	0.2 mm <sup>2</sup> ... 4 mm <sup>2</sup>
Conductor cross section flexible	0.2 mm <sup>2</sup> ... 2.5 mm <sup>2</sup>
Conductor cross section AWG	24 ... 12

#### Connection data for connection 2

Connection name	Controller level
Connection method	D-SUB pin strip
Number of connections	1
Number of positions	37

#### Supported controller

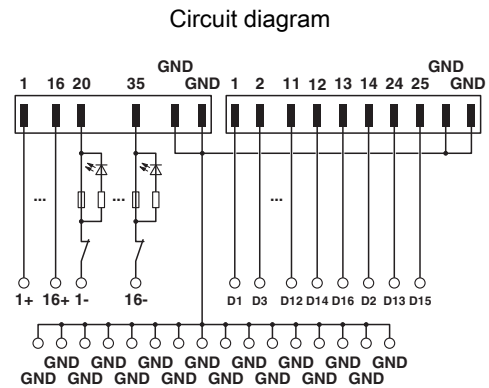
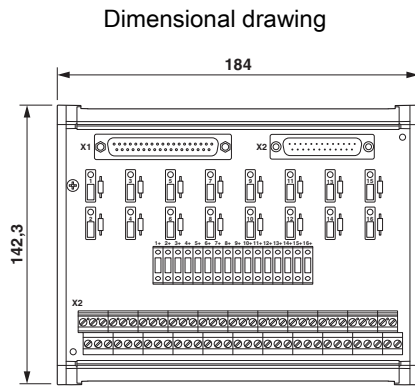
Controller	HONEYWELL Experion PKS C300/C-Series
- suitable I/O card	TAID01
	TAID11
Controller	Honeywell Experion LX Series 8
- suitable I/O card	8X-TAIDA1
	8X-TAIDB1

#### Standards and Regulations

Standards/regulations	DIN EN 50178
-----------------------	--------------

### Drawings

# Interface module - UM-D37M/DS/FU/LED/AID16/C300/R - 2905197



dimensional drawing of left hand version

## Classifications

eCl@ss

eCl@ss 4.0	27250313
eCl@ss 4.1	27250313
eCl@ss 5.0	27250313
eCl@ss 5.1	27250313
eCl@ss 7.0	27141152
eCl@ss 8.0	27141152
eCl@ss 9.0	27141152

ETIM

ETIM 4.0	EC002780
ETIM 5.0	EC002780
ETIM 6.0	EC002780

UNSPSC

UNSPSC 13.2	39121432
-------------	----------

## Approvals

Approvals

Approvals

UL Recognized / cUL Recognized / cULus Recognized

Ex Approvals

## Interface module - UM-D37M/DS/FU/LED/AID16/C300/R - 2905197

### Approvals

---

#### Approval details

UL Recognized		<a href="http://database.ul.com/cgi-bin/XYV/template/LISEXT/1FRAME/index.htm">http://database.ul.com/cgi-bin/XYV/template/LISEXT/1FRAME/index.htm</a>	FILE E 238705
cUL Recognized		<a href="http://database.ul.com/cgi-bin/XYV/template/LISEXT/1FRAME/index.htm">http://database.ul.com/cgi-bin/XYV/template/LISEXT/1FRAME/index.htm</a>	FILE E 238705
cULus Recognized		<a href="http://database.ul.com/cgi-bin/XYV/template/LISEXT/1FRAME/index.htm">http://database.ul.com/cgi-bin/XYV/template/LISEXT/1FRAME/index.htm</a>	

### Accessories

#### Accessories

##### System cable

Cable - CABLE-D37SUB/B/B/ 100/KONFEK/S - 2305509



Assembled shielded round cable with 1 x D-SUB socket strip (37-position) on 1 x D-SUB socket strip (37-position), Cable length: 1 m

Cable - CABLE-D37SUB/B/B/ 200/KONFEK/S - 2305512



Assembled shielded round cable with 1 x D-SUB socket strip (37-position) on 1 x D-SUB socket strip (37-position), Cable length: 2 m

## Interface module - UM-D37M/DS/FU/LED/AID16/C300/R - 2905197

### Accessories

Cable - CABLE-D37SUB/B/B/ 300/KONFEK/S - 2305525



Assembled shielded round cable with 1 x D-SUB socket strip (37-position) on 1 x D-SUB socket strip (37-position), Cable length: 3 m

---

Cable - CABLE-D37SUB/B/B/ 400/KONFEK/S - 2900759



Assembled shielded round cable with 1 x D-SUB socket strip (37-position) on 1 x D-SUB socket strip (37-position), Cable length: 4 m

---

Cable - CABLE-D37SUB/B/B/ 600/KONFEK/S - 2900760



Assembled shielded round cable with 1 x D-SUB socket strip (37-position) on 1 x D-SUB socket strip (37-position), Cable length: 6 m

---

Cable - CABLE-D37SUB/B/B/ 800/KONFEK/S - 2900761



Assembled shielded round cable with 1 x D-SUB socket strip (37-position) on 1 x D-SUB socket strip (37-position), Cable length: 8 m

---

Cable - CABLE-D37SUB/B/B/1000/KONFEK/S - 2900762



Assembled shielded round cable with 1 x D-SUB socket strip (37-position) on 1 x D-SUB socket strip (37-position), Cable length: 10 m

---

## Interface module - UM-D37M/DS/FU/LED/AID16/C300/R - 2905197

### Accessories

Cable - CABLE-D37SUB/B/B/1500/KONFEK/S - 2900763



Assembled shielded round cable with 1 x D-SUB socket strip (37-position) on 1 x D-SUB socket strip (37-position), Cable length: 15 m

---

Cable - CABLE-D37SUB/B/B/2000/KONFEK/S - 2900764



Assembled shielded round cable with 1 x D-SUB socket strip (37-position) on 1 x D-SUB socket strip (37-position), Cable length: 20 m

---

Cable - CABLE-D25SUB/B/B/100/KONFEK/S - 2305473



Assembled shielded round cable with 1 x D-SUB socket strip (25-position) on 1 x D-SUB socket strip (25-position), Cable length: 1 m

---

Cable - CABLE-D25SUB/B/B/200/KONFEK/S - 2305486



Assembled shielded round cable with 1 x D-SUB socket strip (25-position) on 1 x D-SUB socket strip (25-position), Cable length: 2 m

---

Cable - CABLE-D25SUB/B/B/300/KONFEK/S - 2305499



Assembled shielded round cable with 1 x D-SUB socket strip (25-position) on 1 x D-SUB socket strip (25-position), Cable length: 3 m

---

### Necessary add-on products

## Interface module - UM-D37M/DS/FU/LED/AID16/C300/R - 2905197

### Accessories

Front adapters - FLKM-PA-D37/HW/AN/C300 - 2900622



VARIOFACE front adapters, for Honeywell C300, series C I/O, max. 1 x 16 channels (37-pos. D-SUB connector) can be connected

---

Front adapters - FLKM-PA-D25/HW/AID16/C300 - 2905198



VARIOFACE front adapter, for Honeywell C300, series I/O, includes 16 differential signals (D1-D16) and 25-pos. D-SUB connector

---

### Spare parts

Fuse set - FUSE/TE5/500MA/F-10PCS - 2905276



Plug-in fuse (TE5<sup>®</sup>); nominal current: 500 mA; tripping behavior: fast-blow (F)

---