

## Wireless set - ILB BT ADIO MUX-OMNI - 2884208

Please be informed that the data shown in this PDF Document is generated from our Online Catalog. Please find the complete data in the user's documentation. Our General Terms of Use for Downloads are valid (<http://phoenixcontact.com/download>)




Wireless-MUX set, two modules with 16 digital inputs and outputs and 2 analog inputs and outputs (0 ... 20 mA, 0 ... 10 V) each, incl. omnidirectional antennas with 1.5 m cable

### Why buy this product

- ✓ It couldn't be simpler: unpack – connect – switch on
- ✓ Wireless diagnostics by means of bar graph
- ✓ Range of 50 m ... 100 m in industrial halls with omnidirectional antennas and up to 400 m outdoors with directional antennas
- ✓ Quick connection establishment and signal transmission
- ✓ Plug&Play - startup without configuration
- ✓ Current Bluetooth 4.0 technology

RoHS

### Key Commercial Data

Packing unit	1 STK
GTIN	 4 046356 049597
GTIN	4046356049597
Weight per Piece (excluding packing)	900.000 g
Custom tariff number	85176200
Country of origin	Germany

### Technical data

#### Note

Utilization restriction	EMC: class A product, see manufacturer's declaration in the download area
-------------------------	---

#### Dimensions

Width	95 mm
-------	-------

# Wireless set - ILB BT ADIO MUX-OMNI - 2884208

## Technical data

### Dimensions

Height	123.4 mm
Depth	57 mm
Note on dimensions	with connectors

### Ambient conditions

Ambient temperature (operation)	-25 °C ... 60 °C
Ambient temperature (storage/transport)	-25 °C ... 85 °C
Permissible humidity (operation)	95 % (non-condensing)
Permissible humidity (storage/transport)	95 %
Air pressure (operation)	795 hPa ... 1080 hPa (up to 2000 m above mean sea level)
Air pressure (storage/transport)	66 kPa ... 108 kPa (up to 3500 m above mean sea level)
Degree of protection	IP20

### Wireless interface

Wireless standard	Based on Bluetooth 4.0
Modulation type	GFSK (Gaussian Frequency Shift Keying)
Antenna connection method	RSMA (female)
Frequency range	2.402 GHz ... 2.48 GHz (ISM bandwidth)
Transmission power	5 dBm
Receiver sensitivity	-95 dBm

### Power supply for module electronics

Connection method	Inline connector
Supply voltage	24 V DC
Supply voltage range	19.2 V DC ... 30.5 V DC (via power connector)
Current consumption	60 mA (Communications power at 24 V DC, 25 °C)
Type of protection	Polarity protection, surge protection

### Digital inputs

Input name	Digital inputs
Connection method	Spring-cage connection
Connection technology	1-wire
Number of inputs	16
	16
Input voltage range "0" signal	< 5 V
Input voltage range "1" signal	> 15 V
Input frequency	≤ 10 Hz
Typical input current per channel	2.3 mA

### Digital outputs

## Wireless set - ILB BT ADIO MUX-OMNI - 2884208

### Technical data

#### Digital outputs

Output name	Digital outputs
Connection method	Spring-cage connection
Connection technology	1-wire
Number of outputs	16
Type of protection	Short-circuit protection, overload protection, protected against reverse voltages
Nominal output voltage	24 V DC
Output current	8 A (Total)
Maximum output current per channel	500 mA
Nominal load, inductive	12 VA (1.2 H, 50 Ω)
Nominal load, lamp	12 W
Nominal load, ohmic	12 W (48 Ω)

#### Analog inputs

Description of the input	Single ended
Input name	Analog inputs
Number of inputs	2
Type of protection	Surge voltage
Measured value resolution	12 bits
Current input signal	0 mA ... 20 mA
Input resistance current input	50 Ω
Voltage input signal	0 V ... 10 V
Input resistance of voltage input	130 kΩ

#### Analog outputs

Number of outputs	2
Output name	Analog outputs
Type of protection	Transient protection
DAC resolution	12 Bit
Current output signal	0 mA ... 20 mA
Load/output load current output	≤ 500 Ω
Voltage output signal	0 V ... 10 V
Load/output load voltage output	≥ 2 kΩ

#### General

Housing material	PA 6.6-FR
Mounting type	DIN rail
Net weight	885 g
Note on weight specifications	one module, incl. connector, without antenna

# Wireless set - ILB BT ADIO MUX-OMNI - 2884208

## Technical data

### General

Degree of pollution	2
MTBF	465 Years (Telcordia standard, 25°C temperature, 21% operating cycle (5 days a week, 8 hours a day))
	140 Years (Telcordia standard, 40°C temperature, 34.25% operating cycle (5 days a week, 12 hours a day))
MTTF	1458 Years (Telcordia standard, 25°C temperature, 21% operating cycle (5 days a week, 8 hours a day))
	557 Years (Telcordia standard, 40°C temperature, 34.25% operating cycle (5 days a week, 12 hours a day))
	219 Years (Telcordia standard, temperature 40 °C, operating cycle 100 % (7 days a week, 24 hours a day))
Diagnostics messages	Short-circuit / overload of the digital outputs LED
	Wireless connection FS LED
	Logic and actuator voltage LED
	Link quality of the wireless connection 4 LEDs
Switch-on time	≤ 3 s (Until the wireless connection is established)
Delay time	≤ 10 ms (Latency, typical)
	≤ 800 ms (Failsafe function for wireless interruption)
Wireless licences	Belgium
	Bulgaria
	Denmark
	Germany
	Estonia
	Finland
	France
	Greece
	Great Britain
	Ireland
	Iceland
	Israel
	Italy
	Japan
	Canada
	Latvia
Liechtenstein	
Lithuania	
Luxembourg	
Malta	
Netherlands	

# Wireless set - ILB BT ADIO MUX-OMNI - 2884208

## Technical data

### General

	Norway
	Austria
	Poland
	Portugal
	Romania
	Russia
	Sweden
	Switzerland
	Singapore
	Slovakia
	Slovenia
	Spain
	South Africa
	Czech Republic
	Turkey
	Hungary
	USA
	Cyprus (rep.)
Mounting type	DIN rail mounting

### Standards and Regulations

Electromagnetic compatibility	Conformance with EMC Directive 2014/30/EU
Standard designation	RED directive 2014/53/EU
Standards/regulations	EN 300328
	EN 61000-6-4
	EN 61000-6-2
	EN 62311
	EN 60950
Mechanical tests	Vibration resistance in acc. with EN 60068-2-6/IEC 60068-2-6 5g, 10...150 Hz, 2.5 h, in XYZ direction
	Shock in acc. with EN 60068-2-27/IEC 60068-2-27 16g, 11 ms
Free from substances that could impair the application of coating	according to P-VW 3.10.7 57 65 0 VW-AUDI-Seat central standard
Connection in acc. with standard	CUL
Standards/regulations	EN 61000-4-2
Contact discharge	± 6 kV (Test Level 3)
Indirect discharge	± 6 kV
Standards/regulations	EN 61000-4-3
Frequency range	26 MHz ... 3 GHz (Test Level 3)

# Wireless set - ILB BT ADIO MUX-OMNI - 2884208

## Technical data

### Standards and Regulations

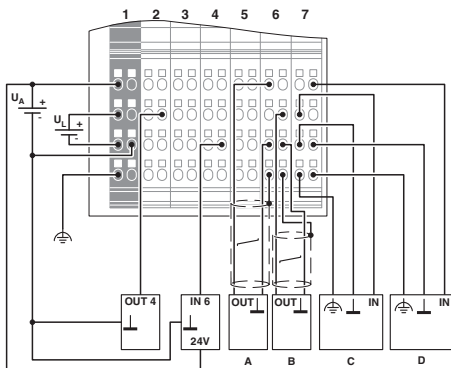
Standards/regulations	EN 61000-4-4
Comments	Criterion B
Standards/regulations	EN 61000-4-5
Signal	$\pm 1$ kV (Signal line, asymmetrical)
Standards/regulations	EN 61000-4-6
Frequency range	0.15 MHz ... 80 MHz
Conformance	CE-compliant (RED Directive 2014/53/EU)
	FCC Directive, Part 15.247
	ISC Directive RSS 210
UL, USA/Canada	UL 508 Listed
Protection class	III
MIC rating	Japan MIC (RF) ID:202-LSF002

### Environmental Product Compliance

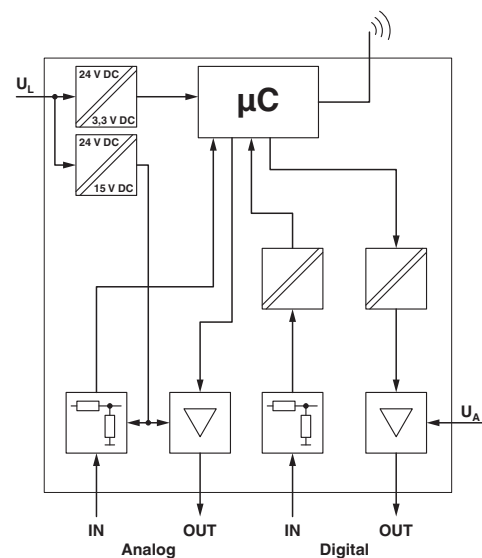
China RoHS	Environmentally friendly use period: unlimited = EFUP-e
	No hazardous substances above threshold values

## Drawings

Connection diagram

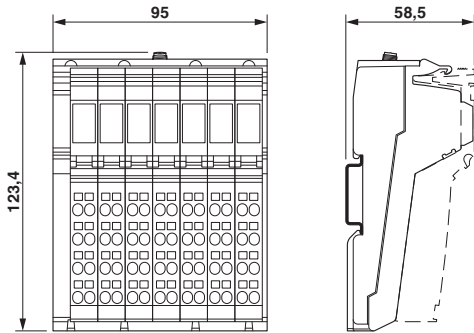


Block diagram

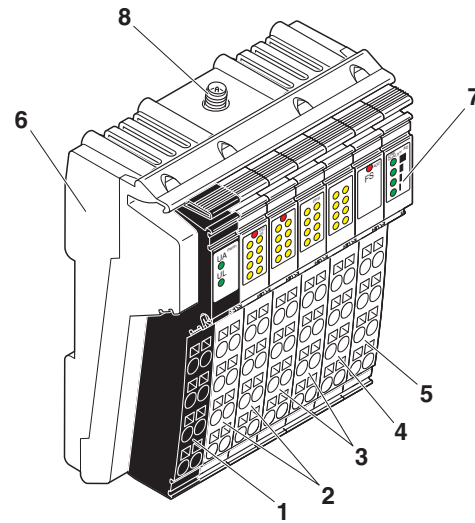


# Wireless set - ILB BT ADIO MUX-OMNI - 2884208

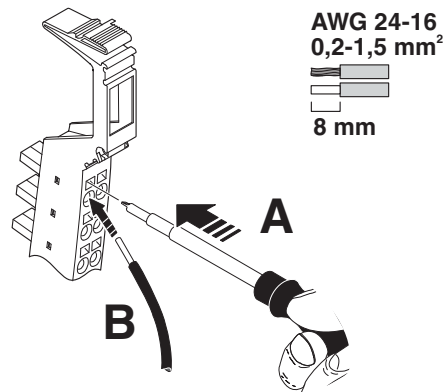
Dimensional drawing



Schematic diagram



Schematic diagram



## Articles in set

Wireless set - ILB BT ADIO MUX - 2702875



Wireless-MUX set, two modules with 16 digital inputs and outputs and 2 analog inputs and outputs (0 - 20 mA, 0 - 10 V) each, without antennas

# Wireless set - ILB BT ADIO MUX-OMNI - 2884208

## Articles in set

Antenna - RAD-ISM-2400-ANT-OMNI-2-1-RSMA - 2701362



Omnidirectional antenna, 2.4 GHz, gain: 2 dBi, polarization: linear, opening angle: h/v 360°/75°, degree of protection: IP65, connection: RSMA (male), incl. 1.5 m / 5 ft. connecting cable and mounting bracket for wall mounting

## Classifications

### eCl@ss

eCl@ss 4.0	27250302
eCl@ss 4.1	27250302
eCl@ss 5.0	27250302
eCl@ss 5.1	27242604
eCl@ss 6.0	27242602
eCl@ss 7.0	27242602
eCl@ss 8.0	27242602
eCl@ss 9.0	27242602

### ETIM

ETIM 2.0	EC001430
ETIM 3.0	EC001599
ETIM 4.0	EC001599
ETIM 5.0	EC001597
ETIM 6.0	EC001597

### UNSPSC

UNSPSC 6.01	20142601
UNSPSC 7.0901	20142601
UNSPSC 11	20142601
UNSPSC 12.01	20142601
UNSPSC 13.2	20142601

## Approvals

### Approvals

### Approvals

EAC / EAC / KC / FCC / Industry Canada / MIC



# Wireless set - ILB BT ADIO MUX-OMNI - 2884208

## Approvals

Ex Approvals

### Approval details

EAC		EAC-Zulassung
-----	--	---------------

EAC		RU *- DE.A*30.B.01735
-----	--	--------------------------

KC		<a href="http://eng.kcc.go.kr/user/ehpMain.do">http://eng.kcc.go.kr/user/ehpMain.do</a>	MSIP-CRI- PCK-2884208
----	--	---	--------------------------

FCC		YG3ADIOMUX
-----	--	------------

Industry Canada		4720B-ADIOMUX
-----------------	--	---------------

MIC		202-LSF002
-----	--	------------

## Accessories

### Accessories

#### Antenna

Antenna - RAD-ISM-2400-ANT-OMNI-2-1-RSMA - 2701362



Omnidirectional antenna, 2.4 GHz, gain: 2 dBi, polarization: linear, opening angle: h/v 360°/75°, degree of protection: IP65, connection: RSMA (male), incl. 1.5 m / 5 ft. connecting cable and mounting bracket for wall mounting

## Wireless set - ILB BT ADIO MUX-OMNI - 2884208

### Accessories

#### Antenna - RAD-ISM-2400-ANT-VAN-3-0-RSMA - 2701358



Omnidirectional antenna with protection against vandalism, 2.4 GHz, gain: 3 dBi, polarization: linear, opening angle: h/v 360°/85°, degree of protection: IP55, connection: RSMA (male), for control cabinet mounting (optional wall mounting), incl. 1.5 m / 5 ft. connecting cable

#### Antenna - RAD-ISM-2400-ANT-OMNI-6-0 - 2885919



Omnidirectional antenna, 2.4 GHz, gain: 6 dBi, polarization: linear, opening angle: h/v 360°/30°, degree of protection: IP67, seawater-resistant, connection: N (female), incl. mounting bracket and mast clips, ATEX and IECEx approval

#### Antenna - ANT-DIR-2459-01 - 2701186



Directional antenna, 2.4 GHz/5 GHz, gain: 9 dBi, polarization: linear, opening angle: h/v 75°/55°, degree of protection: IP67, seawater-resistant, connection: N (female), incl. mounting bracket and mast clips, ATEX and IECEx approval

### Coaxial adapter

#### Adapter - RAD-ADP-N/F-N/F - 2867843



Antenna adapter for control cabinet feed-through, frequency range: 0.3 GHz ... 6 GHz, degree of protection: IP65, connection: 2 x N (female)

#### Adapter - RAD-ADP-RSMA/M-RSMA/F-90 - 2904790



Antenna adapter, frequency range: 0.3 GHz ... 6 GHz, connection: RSMA (male) -> RSMA (female), 90° angled

## Wireless set - ILB BT ADIO MUX-OMNI - 2884208

### Accessories

#### Coaxial cable

##### Antenna cable - RAD-PIG-EF316-N-RSMA - 2701402



Antenna cable for control cabinet feed-through, outside diameter: 3.2 mm (0.126 in.), inner conductor: stranded, attenuation: 0.6 / 0.9 / 1.4 dB at 0.9 / 2.4 / 5.8 GHz, connection: N (female) -> RSMA (male), cable length: 0.5 m (1.6 ft.)

---

##### Antenna cable - RAD-PIG-RSMA/N-0.5 - 2903263



Antenna cable, outside diameter: 5 mm (0.2 in.), inner conductor: solid, attenuation: 0.4 / 0.5 / 0.6 dB at 0.9 / 2.4 / 5.8 GHz, connection: N (male) -> RSMA (male), cable length: 0.5 m (1.6 ft.)

---

##### Antenna cable - RAD-PIG-RSMA/N-1 - 2903264



Antenna cable, outside diameter: 5 mm (0.2 in.), inner conductor: solid, attenuation: 0.5 / 0.8 / 1.1 dB at 0.9 / 2.4 / 5.8 GHz, connection: N (male) -> RSMA (male), cable length: 1 m (3.3 ft.)

---

##### Antenna cable - RAD-PIG-RSMA/N-2 - 2903265



Antenna cable, outside diameter: 5 mm (0.2 in.), inner conductor: solid, attenuation: 0.9 / 1.3 / 2.0 dB at 0.9 / 2.4 / 5.8 GHz, connection: N (male) -> RSMA (male), cable length: 2 m (6.5 ft.)

---

##### Antenna cable - RAD-PIG-RSMA/N-3 - 2903266



Antenna cable, outside diameter: 5 mm (0.2 in.), inner conductor: solid, attenuation: 1.2 / 2.0 / 3.0 dB at 0.9 / 2.4 / 5.8 GHz, connection: N (male) -> RSMA (male), cable length: 3 m (10 ft.)

## Wireless set - ILB BT ADIO MUX-OMNI - 2884208

### Accessories

#### Antenna cable - RAD-PIG-RSMA/N-5 - 2702140



Antenna cable, outside diameter: 5 mm (0.2 in.), inner conductor: solid, attenuation: 2.0 / 3.3 / 4.8 dB at 0.9 / 2.4 / 5.8 GHz, connection: N (male) -> RSMA (male), cable length: 5 m (16 ft.)

---

#### Antenna cable - RAD-CAB-EF393- 3M - 2867649



Antenna cable, outside diameter: 10 mm (0.4 in.), inner conductor: stranded, attenuation: 1.0 / 1.8 / 3.1 dB at 0.9 / 2.4 / 5.8 GHz, connection: 2 x N (male), cable length: 3 m (10 ft.)

---

#### Antenna cable - RAD-CAB-EF393- 5M - 2867652



Antenna cable, outside diameter: 10 mm (0.4 in.), inner conductor: stranded, attenuation: 1.6 / 2.9 / 5.0 dB at 0.9 / 2.4 / 5.8 GHz, connection: 2 x N (male), cable length: 5 m (16 ft.)

---

#### Antenna cable - RAD-CAB-EF393-10M - 2867665



Antenna cable, outside diameter: 10 mm (0.4 in.), inner conductor: stranded, attenuation: 2.9 / 5.6 / 9.9 dB at 0.9 / 2.4 / 5.8 GHz, connection: 2 x N (male), cable length: 10 m (32 ft.)

---

#### Antenna cable - RAD-CAB-EF393-15M - 2885634



Antenna cable, outside diameter: 10 mm (0.4 in.), inner conductor: stranded, attenuation: 4.3 / 8.3 / 14.8 dB at 0.9 / 2.4 / 5.8 GHz, connection: 2 x N (male), cable length: 15 m (50 ft.)

---

### Control box

## Wireless set - ILB BT ADIO MUX-OMNI - 2884208

### Accessories

Control box - FL RUGGED BOX - 2701204



Control box for robust construction of wireless systems for industrial applications, IP66, 25 x 18 x 13 cm, polycarbonate material, gray, drilled, incl. DIN rail, plugs, and screw connections, without devices

---

### End block

End clamp - CLIPFIX 35-5 - 3022276



Quick mounting end clamp for NS 35/7,5 DIN rail or NS 35/15 DIN rail, with marking option, with parking option for FBS...5, FBS...6, KSS 5, KSS 6, width: 5.15 mm, color: gray

---

### Labeling panel

Labeling field - IB IL FIELD 2 - 2727501

Labeling field, width: 12.2 mm



---

### Mounting material

Mounting material - FL RUGGED BOX POLE SET - 2701205



Set for mast mounting of the FL RUGGED BOX housing, incl. screw clamps for masts up to 89 mm #

## Wireless set - ILB BT ADIO MUX-OMNI - 2884208

### Accessories

Weather protection tape - RAD-TAPE-SV-19-3 - 2903182



Vulcanizing sealing tape for external protection of adapters, cable connections, etc. against the effects of weather, roll length: 3 m

---

### Plug

Inline shield connector - IB IL SCN 6-SHIELD-TWIN - 2740245



Inline shield connector

---

Inline connector - IB IL SCN-PWR IN-CP - 2727637



Connector, colored, for Inline power and segment terminal blocks

---

Inline connector - IB IL SCN-8 - 2726337



Connector, for digital 1, 2 or 8-channel Inline terminals

---

### Surge protection for transceiver systems

Surge protection device - CN-LAMBDA/4-5.9-BB - 2838490



Attachment plug with Lambda/4 technology as surge protection for coaxial signal interfaces. Connection: N connectors socket-socket

## Wireless set - ILB BT ADIO MUX-OMNI - 2884208

### Accessories

---

#### Terminal marking

Insert strip - ESL 62X10 - 0809492



Insert strip, Sheet, white, unlabeled, can be labeled with: Office printing systems: Laser printer, mounting type: insert, lettering field size: 62 x 10 mm

---

Flat zack marker sheet - ZBFM 6/WH:UNBEDRUCKT - 0803618



Flat zack marker sheet, Sheet, white, unlabeled, can be labeled with: CMS-P1-PLOTTER, PLOTMARK, mounting type: snap into flat marker groove, for terminal block width: 6.2 mm, lettering field size: 5 x 5.5 mm

---

---