

## Isolation amplifier - MACX MCR-EX-SL-2NAM-R-UP - 2865984

Please be informed that the data shown in this PDF Document is generated from our Online Catalog. Please find the complete data in the user's documentation. Our General Terms of Use for Downloads are valid (<http://phoenixcontact.com/download>)



2-channel Ex-i NAMUR isolation amplifier with wide-range power supply for proximity sensors and switches. Every channel has a relay with PDT contact as a signal output. Line fault detection (LFD), 3-way isolation, SIL 2.

### Product Features

- Up to SIL 2 according to EN 61508
- Installation in zone 2, protection type "n" (EN 60079-15) permitted
- Line fault detection (LFD), can be activated/deactivated, error indicated by red flashing LED with de-excitation of output relay
- Relay signal output (PDT)
- 3-way electrical isolation
- LED indicators for supply voltage, switching state, and malfunction according to NAMUR NE 44
- Direction of operation can be selected (operating or closed circuit current behavior)
- Wide-range power supply of 19.2 ... 253 V AC/DC
- 2-channel
- Input for NAMUR proximity sensors (EN 60947-5-6), floating contacts or contacts with resistance circuit, [Ex ia] IIC



### Key Commercial Data

Packing unit	1 pc
Weight per Piece (excluding packing)	180.0 g
Custom tariff number	85437090
Country of origin	Germany

### Technical data

#### Note

Utilization restriction	EMC: class A product, see manufacturer's declaration in the download area
-------------------------	---

# Isolation amplifier - MACX MCR-EX-SL-2NAM-R-UP - 2865984

## Technical data

### Dimensions

Width	17.5 mm
Height	99 mm
Depth	114.5 mm

### Ambient conditions

Ambient temperature (operation)	-20 °C ... 60 °C
Ambient temperature (storage/transport)	-40 °C ... 80 °C
Maximum altitude	≤ 2000 m
Permissible humidity (operation)	10 % ... 95 % (non-condensing)
Noise immunity	EN 61000-6-2
Degree of protection	IP20

### Input data

Non-load voltage	~ 8 V DC
Switching points (attenuated)	< 1.2 mA (blocking)
Switching points (unattenuated)	> 2.1 mA (conductive)

### Output data

Switching output	Relay output
Contact type	1 PDT per channel
Contact material	AgSnO <sub>2</sub> , hard gold-plated
Maximum switching voltage	250 V AC (2 A, 60 Hz)
	120 V DC (0.2 A)
	30 V DC (2 A)
Maximum switching capacity	500 VA
Mechanical service life	10 <sup>7</sup> cycles

### Power supply

Supply voltage range	24 V ... 230 V AC/DC (-20 % ... +10 %, 50 Hz ... 60 Hz)
Max. current consumption	< 80 mA
Power consumption	≤ 1.3 W
	≤ 1.3 W

### Connection data

Conductor cross section solid min.	0.2 mm <sup>2</sup>
Conductor cross section solid max.	2.5 mm <sup>2</sup>
Conductor cross section flexible min.	0.2 mm <sup>2</sup>
Conductor cross section flexible max.	2.5 mm <sup>2</sup>
Conductor cross section AWG min.	24
Conductor cross section AWG max.	14

# Isolation amplifier - MACX MCR-EX-SL-2NAM-R-UP - 2865984

## Technical data

### Connection data

Stripping length	7 mm
Connection method	Screw connection
Tightening torque, min	0.5 Nm
Tightening torque max	0.6 Nm

### General

No. of channels	2
Step response (10-90%)	typ. 6 ms (N/O contact: OFF/ON)
	typ. 6 ms (N/O contact: ON/OFF)
	typ. 4 ms (N/C contact: ON/OFF)
	typ. 10 ms (N/C contact: OFF/ON)
Status display	Green LED (supply voltage, PWR)
	LED yellow (switching state)
	Red LED (line errors)
Flammability rating according to UL 94	V0
Degree of pollution	2
Overvoltage category	III
Housing material	PA 66-FR
Color	green
Designation	Input/output
Electrical isolation	375 V (Peak value in accordance with EN 60079-11)
Designation	Input/power supply
Electrical isolation	375 V (Peak value in accordance with EN 60079-11)
	300 V <sub>rms</sub> (Rated insulation voltage (overvoltage category II; degree of pollution 2, safe isolation as per EN 61010-1))
	2.5 kV AC (50 Hz, 1 min., test voltage)
Designation	Output 1/output 2/input, power supply
Electrical isolation	300 V <sub>rms</sub> (Rated insulation voltage (overvoltage category III; degree of pollution 2, safe isolation as per EN 61010-1))
	2.5 kV (50 Hz, 1 min., test voltage)
Conformance	CE-compliant, additionally EN 61326
ATEX	# II (1) G [Ex ia Ga] IIC
	# II (1) D [Ex ia Da] IIIC
	# II 3(1) G Ex nA nC [ia Ga] IIC T4 Gc X
IECEX	[Ex ia Ga] IIC
	[Ex ia Da] IIIC
	Ex nA nC [ia Ga] IIC T4 Gc
UL, USA / Canada	Class I Div 2; IS for Class I, II, III Div 1

# Isolation amplifier - MACX MCR-EX-SL-2NAM-R-UP - 2865984

## Technical data

### General

Functional Safety (SIL)	SIL 2
-------------------------	-------

### Safety data

Max. output voltage $U_o$	9.56 V
Max. output current $I_o$	10.3 mA
Max. output power $P_o$	25 mW
Group	IIC
Max. external inductivity $L_o$	300 mH
Max. external capacity $C_o$	3.6 $\mu$ F
Group	IIB/IIIC
Max. external inductivity $L_o$	1000 mH
Max. external capacity $C_o$	26 $\mu$ F
Safety-related maximum voltage $U_m$	253 V AC/DC (Supply terminals)

### EMC data

Designation	Electromagnetic RF field
Standards/regulations	EN 61000-4-3
Evaluation criterion	A
Designation	Fast transients (burst)
Standards/regulations	EN 61000-4-4
Evaluation criterion	A
Designation	Conducted interferences
Standards/regulations	EN 61000-4-6
Evaluation criterion	A

### Standards and Regulations

Designation	Electromagnetic RF field
Standards/regulations	EN 61000-4-3
Evaluation criterion	A
Standards/regulations	EN 61000-4-4
Designation	Conducted interferences
Standards/regulations	EN 61000-4-6
Evaluation criterion	A
Flammability rating according to UL 94	V0
Conformance	CE-compliant, additionally EN 61326
ATEX	# II (1) G [Ex ia Ga] IIC
	# II (1) D [Ex ia Da] IIIC
	# II 3(1) G Ex nA nC [ia Ga] IIC T4 Gc X

# Isolation amplifier - MACX MCR-EX-SL-2NAM-R-UP - 2865984

## Technical data

### Standards and Regulations

IECEX	[Ex ia Ga] IIC
	[Ex ia Da] IIIC
	Ex nA nC [ia Ga] IIC T4 Gc
UL, USA / Canada	Class I Div 2; IS for Class I, II, III Div 1
Group	IIC
	IIB/IIIC

## Classifications

### eCl@ss

eCl@ss 4.0	27210121
eCl@ss 4.1	27210121
eCl@ss 5.0	27210121
eCl@ss 5.1	27210121
eCl@ss 6.0	27210121
eCl@ss 7.0	27210121
eCl@ss 8.0	27210121

### ETIM

ETIM 2.0	EC001430
ETIM 3.0	EC001599
ETIM 4.0	EC001485
ETIM 5.0	EC001485

### UNSPSC

UNSPSC 6.01	30211506
UNSPSC 7.0901	39121008
UNSPSC 11	39121008
UNSPSC 12.01	39121008
UNSPSC 13.2	39121008

## Approvals

### Approvals

---

Approvals

Functional Safety / UL Listed / cUL Listed / GL / EAC / cULus Listed

---

# Isolation amplifier - MACX MCR-EX-SL-2NAM-R-UP - 2865984

## Approvals

Ex Approvals

IECEX / ATEX / UL Listed / cUL Listed / EAC Ex / cULus Listed


---


Approvals submitted

---

### Approval details


Functional Safety

UL Listed 

cUL Listed 

GL

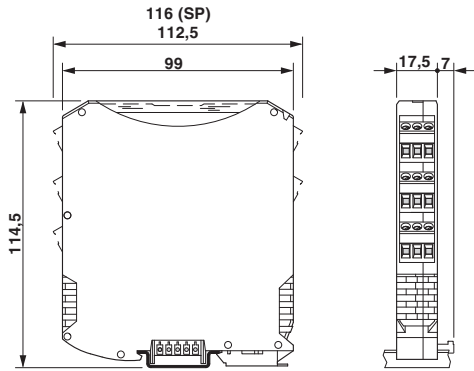
EAC

cULus Listed 

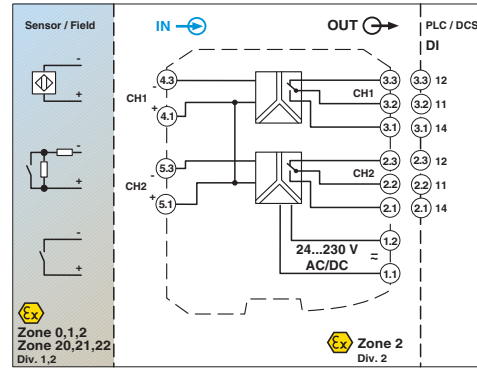
## Drawings

# Isolation amplifier - MACX MCR-EX-SL-2NAM-R-UP - 2865984

Dimensional drawing



Block diagram



Schematic diagram

