

Electronic housing - EG 67,5-GMF/PC GN - 2764894

Please be informed that the data shown in this PDF Document is generated from our Online Catalog. Please find the complete data in the user's documentation. Our General Terms of Use for Downloads are valid (<http://phoenixcontact.com/download>)



Housing base, with metal foot catch


Illustration shows a fully mounted version of the electronic housing

Product Features

- Tool-free mounting
- Optimum accommodation of electronic components with graded pitches with a design width of 22.5 mm, 45 mm, 67.5 mm, and 90 mm
- Functional and industry-oriented housing technology
- Practical and easy-to-wire conductor connection using extra finely stranded sturdy screw terminal blocks up to 2.5 mm²
- Fast snap-on mounting on symmetrical DIN rails according to EN 60715
- Date of manufacture and material and part identification embossed on the housing (recyclability)
- Shock and contamination-proof accommodation of electronic components (IP40 housing, IP20 terminal blocks)



Key Commercial Data

Packing unit	1 pc
Minimum order quantity	10 pc
GTIN	 4 017918 131944
Weight per Piece (excluding packing)	82.2 g
Custom tariff number	85369010
Country of origin	Germany

Technical data

Product type	Component housing lower part
Approval	UL Recognized
Width	67.5 mm
Height	107.5 mm

Electronic housing - EG 67,5-GMF/PC GN - 2764894

Technical data

Depth	75 mm
Color	green
No. of pos. for cross connection	-
Type of cross connection	without bus connector
Functional earth ground contact	without

Classifications

eCl@ss

eCl@ss 4.0	27180401
eCl@ss 4.1	27180401
eCl@ss 5.0	27180506
eCl@ss 5.1	27180506
eCl@ss 6.0	27180802
eCl@ss 7.0	27182702
eCl@ss 8.0	27182702

ETIM

ETIM 2.0	EC001031
ETIM 3.0	EC001031
ETIM 4.0	EC001031
ETIM 5.0	EC001031

UNSPSC

UNSPSC 6.01	31261501
UNSPSC 7.0901	31261501
UNSPSC 11	31261501
UNSPSC 12.01	31261501
UNSPSC 13.2	31261501

Approvals

Approvals

Approvals

UL Recognized

Ex Approvals

Electronic housing - EG 67,5-GMF/PC GN - 2764894

Approvals

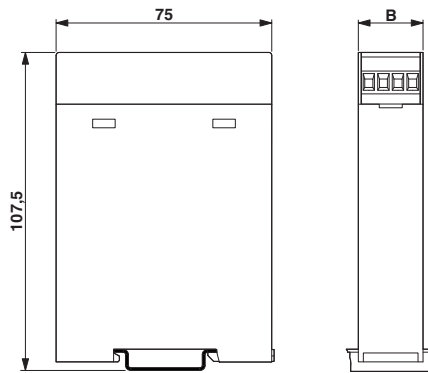
Approvals submitted

Approval details



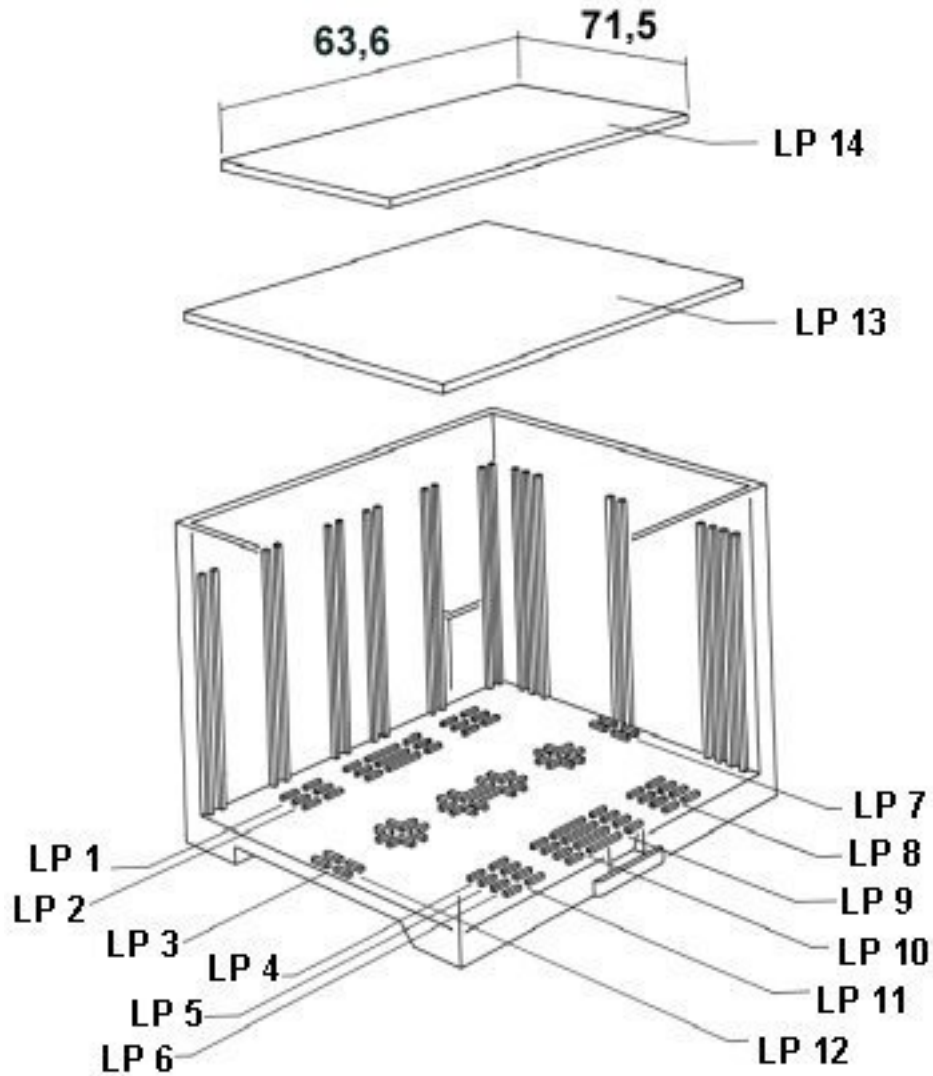
Drawings

Dimensional drawing



Electronic housing - EG 67,5-GMF/PC GN - 2764894

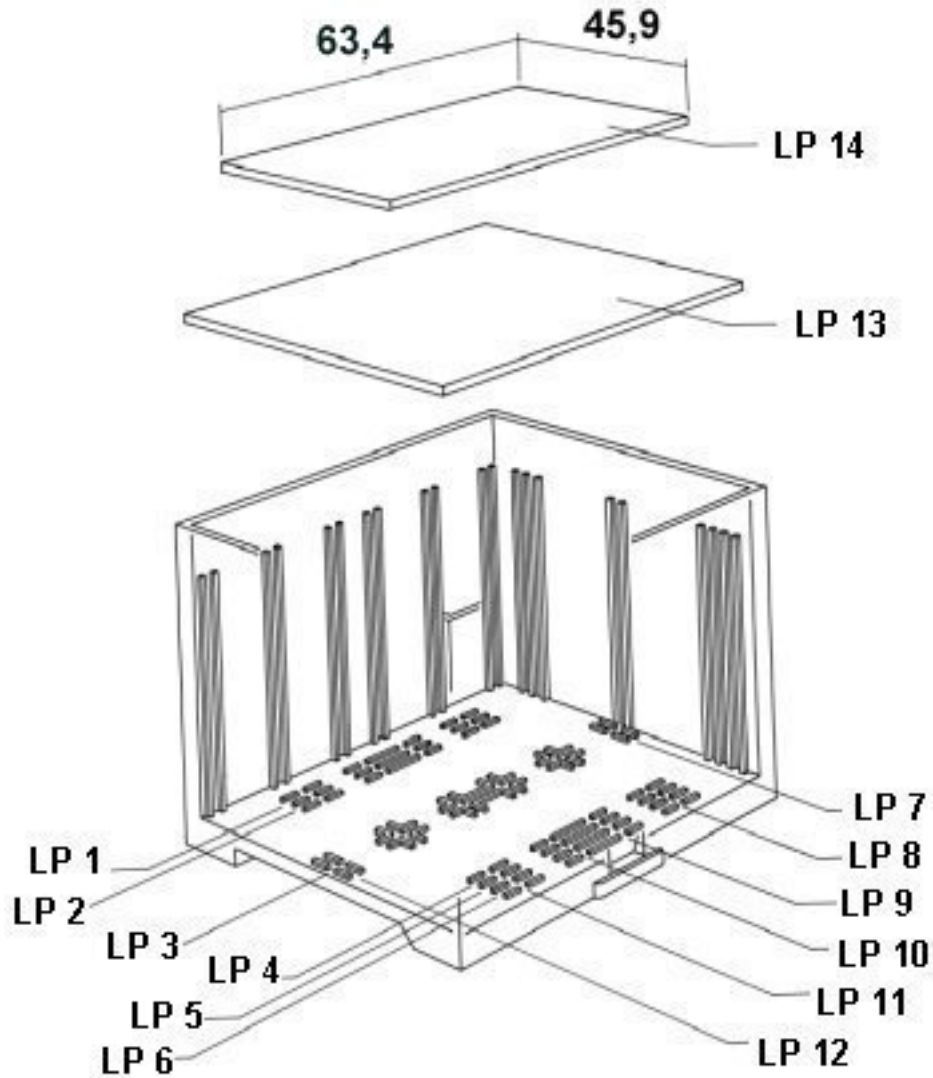
Explosion drawing



valid for PCB 13

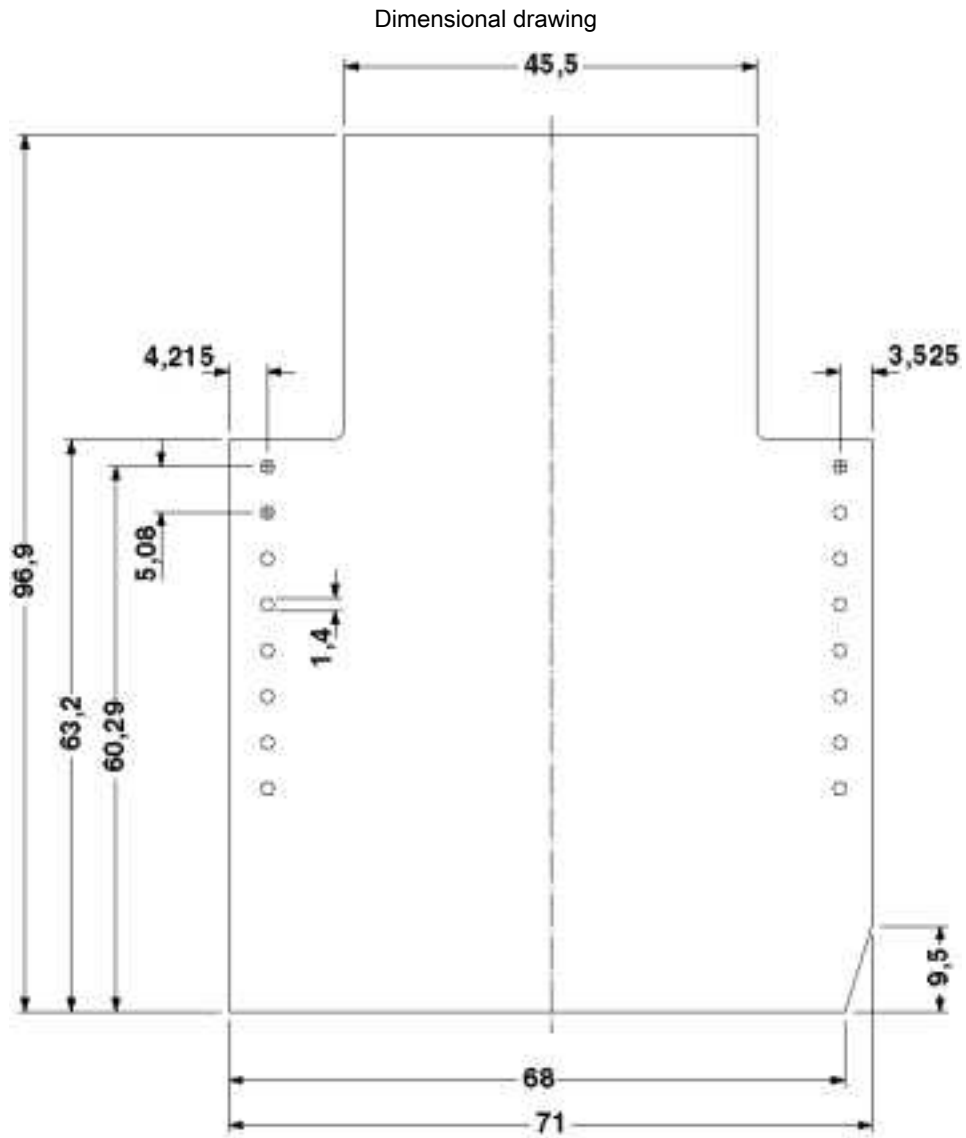
Electronic housing - EG 67,5-GMF/PC GN - 2764894

Explosion drawing



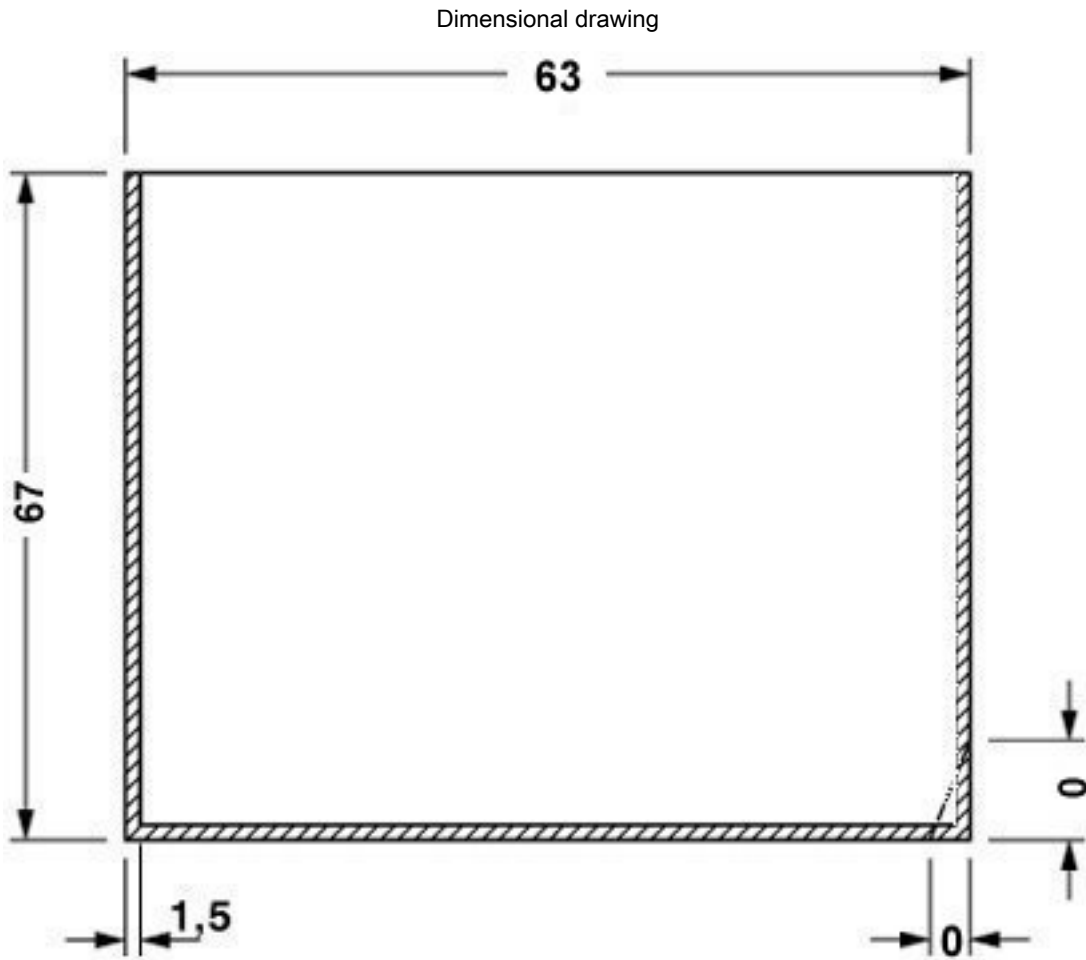
valid for PCB 14

Electronic housing - EG 67,5-GMF/PC GN - 2764894



Component mounting side, if the double-level upper part is used

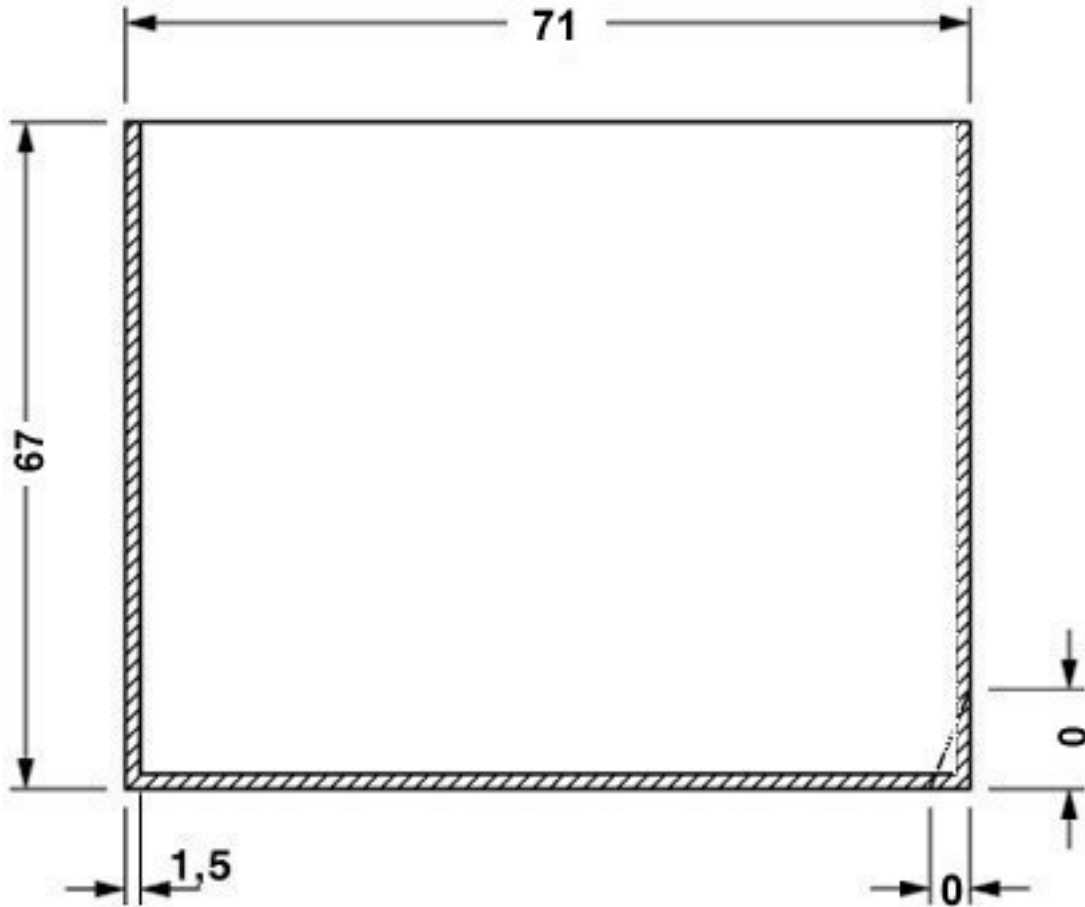
Electronic housing - EG 67,5-GMF/PC GN - 2764894



valid for PCB 1; 2; 3; 4; 5 und 6, see explosion drawing

Electronic housing - EG 67,5-GMF/PC GN - 2764894

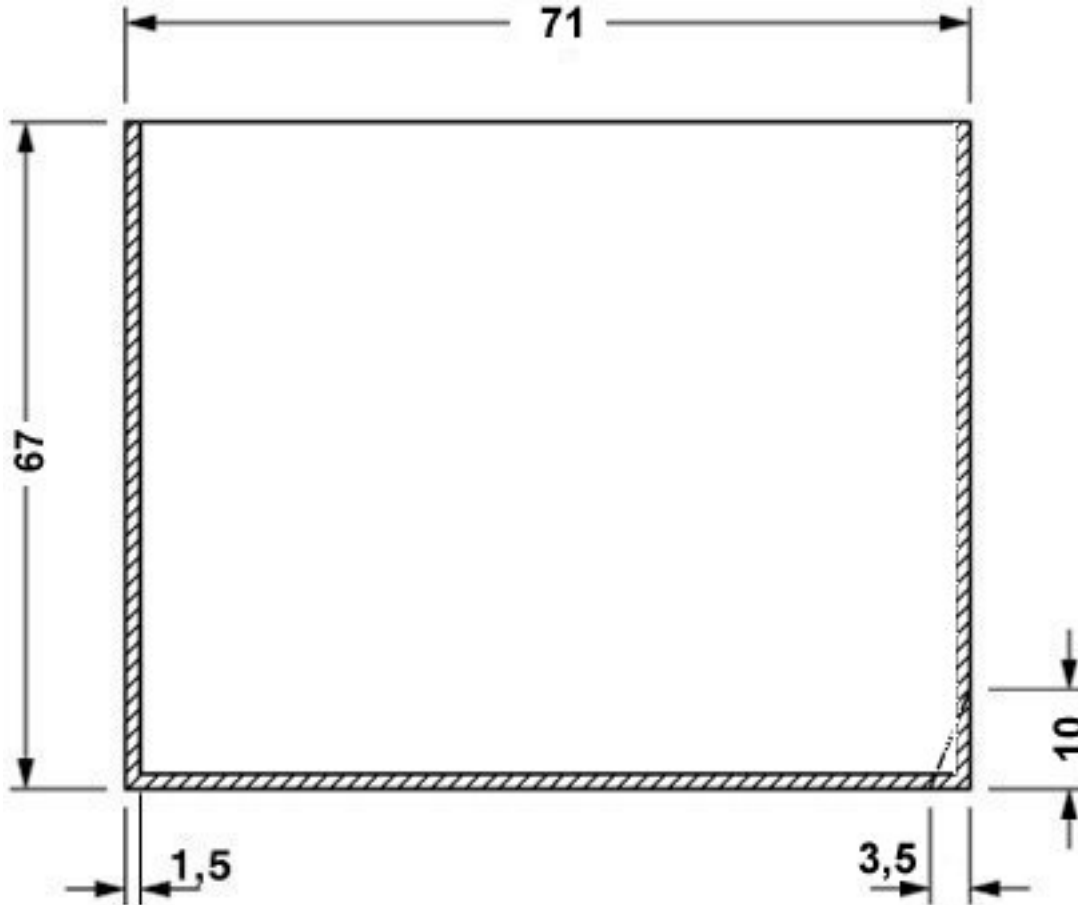
Dimensional drawing



valid for PCB 7; 8; 11 and 12, see explosion drawing

Electronic housing - EG 67,5-GMF/PC GN - 2764894

Dimensional drawing



valid for PCB 9, see explosion drawing