

## D-SUB bus connector - SUBCON-PLUS-CAN - 2744694

Please be informed that the data shown in this PDF Document is generated from our Online Catalog. Please find the complete data in the user's documentation. Our General Terms of Use for Downloads are valid (<http://phoenixcontact.com/download>)



D-SUB connector, 9-pos. female connector, two cable entries < 35° to one terminal block row, bus system: CAN, CANopen®, SafetyBUS p up to 1 Mbps, termination resistor can be switched on via slide switch, pin assignment: 2, 3, 7; screw connection terminal blocks

### Product Features

- Separate terminal blocks for bus cables
- High transmission speed
- Segment-by-segment startup
- Flexibility in terms of cable entry selection
- Assembly under field conditions
- High level of EMC
- Suitable for bus cables according to CiA Draft Recommendation 303-1 with an outside diameter of 8 mm
- Termination resistor can be connected



### Key Commercial Data

|                                      |          |
|--------------------------------------|----------|
| Packing unit                         | 1 pc     |
| Weight per Piece (excluding packing) | 60.8 g   |
| Custom tariff number                 | 85366990 |
| Country of origin                    | Germany  |

### Technical data

#### Dimensions

|                     |       |
|---------------------|-------|
| Max. cable diameter | 10 mm |
| Min. cable diameter | 6 mm  |
| Width               | 16 mm |
| Height              | 44 mm |
| Length              | 60 mm |

#### Ambient conditions

## D-SUB bus connector - SUBCON-PLUS-CAN - 2744694

### Technical data

#### Ambient conditions

|   |  |
|---|--|
| Ambient temperature (operation)         | -20 °C ... 75 °C   |
| Ambient temperature (storage/transport) | -25 °C ... 80 °C   |
| Altitude                                | 5000 m (For restrictions see manufacturer's declaration) |

#### General

|                             |  |
|-----------------------------|--|
| Nominal voltage $U_N$       | 5 V  |
| Nominal current $I_N$       | 100 mA   |
| Bus system                  | CAN, CANopen, SafetyBus-P  |
| Signal                      | CAN  |
|                             | CANopen®   |
|                             | SafetyBUS p  |
| Insertion/withdrawal cycles | > 200  |
| SUBCON fixing screws        | 4-40 UNC   |
| Tightening torque           | 0.4 Nm   |
| Housing material            | ABS, metal-plated  |
| Pin assignment              | 2,3,7  |
| MTTF                        | 6706 Years (SN 29500 standard, temperature 25°C, operating cycle 21 % (5 days a week, 8 hours a day))      |
|                             | 1817 Years (SN 29500 standard, temperature 40 °C, operating cycle 34.25 % (5 days a week, 12 hours a day)) |
|                             | 155 Years (SN 29500 standard, temperature 40°C, operating cycle 100 % (7 days a week, 24 hours a day))     |

#### Connection data

|  |  |
|--|--|
| Connection                                 | D-SUB connection                           |
| Number of positions                        | 9  |
| Connection method                          | D-SUB socket                               |
| Termination resistor                       | 120 $\Omega$ (Can be connected externally) |
| Connection                                 | PCB connection                             |
| Connection method                          | Screw connection                           |
| Conductor cross section flexible min.      | 0.14 mm <sup>2</sup>                       |
| Conductor cross section flexible max.      | 1 mm <sup>2</sup>                          |
| Conductor cross section solid min.         | 0.14 mm <sup>2</sup>                       |
| Conductor cross section solid max.         | 1.5 mm <sup>2</sup>                        |
| Min. AWG conductor cross section, flexible | 26   |
| Max. AWG conductor cross section, flexible | 18   |
| Conductor cross section AWG min.           | 26   |
| Conductor cross section AWG max.           | 16   |
| Stripping length                           | 5 mm                                       |

## D-SUB bus connector - SUBCON-PLUS-CAN - 2744694

### Technical data

#### Connection data

|                   |        |
|-------------------|--------|
| Tightening torque | 0.4 Nm |
|-------------------|--------|

#### Standards and Regulations

|                                  |                            |
|----------------------------------|----------------------------|
| Connection in acc. with standard | CUL                        |
| ATEX                             | # II 3 G Ex nA IIC T4 Gc X |

### Classifications

#### eCl@ss

|            |          |
|------------|----------|
| eCl@ss 4.0 | 27140816 |
| eCl@ss 4.1 | 27140816 |
| eCl@ss 5.0 | 27143424 |
| eCl@ss 5.1 | 27143424 |
| eCl@ss 6.0 | 27143424 |
| eCl@ss 7.0 | 27440209 |
| eCl@ss 8.0 | 27440302 |

#### ETIM

|          |          |
|----------|----------|
| ETIM 2.0 | EC001132 |
| ETIM 3.0 | EC001132 |
| ETIM 4.0 | EC001132 |
| ETIM 5.0 | EC001132 |

#### UNSPSC

|               |          |
|---------------|----------|
| UNSPSC 6.01   | 30211802 |
| UNSPSC 7.0901 | 39121402 |
| UNSPSC 11     | 39121402 |
| UNSPSC 12.01  | 39121402 |
| UNSPSC 13.2   | 39121402 |

### Approvals

#### Approvals

---

#### Approvals

UL Recognized / cUL Recognized / CSA / EAC / cULus Recognized

---

# D-SUB bus connector - SUBCON-PLUS-CAN - 2744694

## Approvals

Ex Approvals

ATEX

Approvals submitted

## Approval details

UL Recognized

cUL Recognized

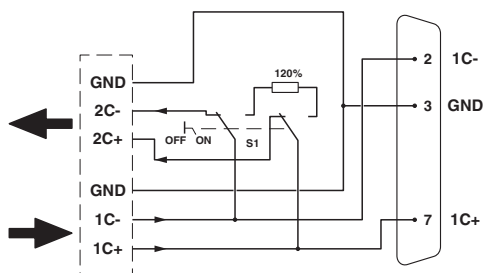
CSA

EAC

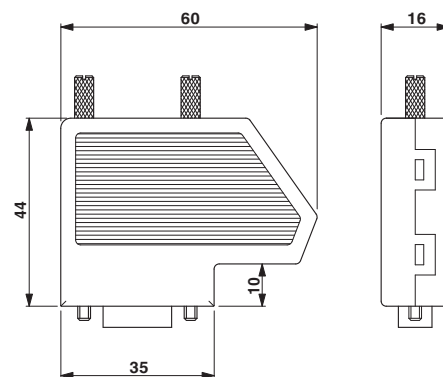
cULus Recognized

## Drawings

Block diagram

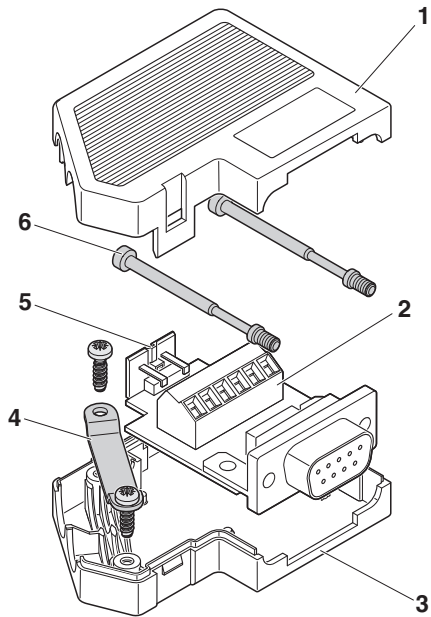


Dimensional drawing



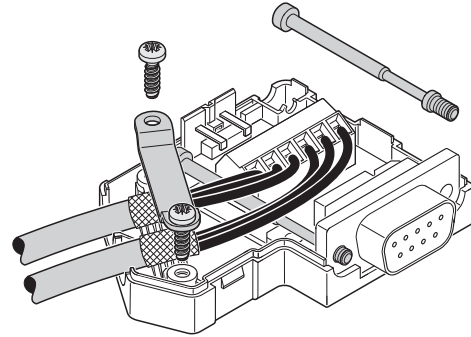
# D-SUB bus connector - SUBCON-PLUS-CAN - 2744694

Schematic diagram



Exploded drawing

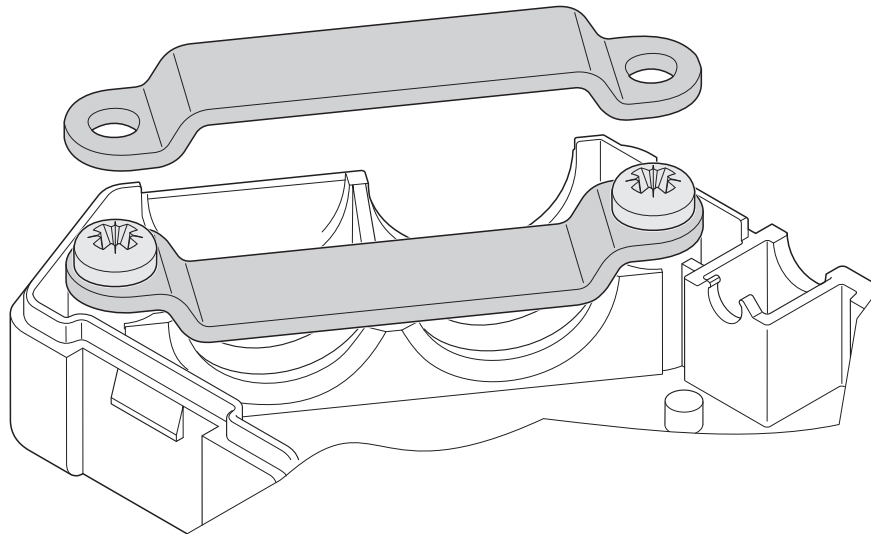
Schematic diagram



Connection of the cables

## D-SUB bus connector - SUBCON-PLUS-CAN - 2744694

Schematic diagram



Clip bracket

---

Phoenix Contact 2016 © - all rights reserved  
<http://www.phoenixcontact.com>