

## D-SUB bus connector - SUBCON-PLUS 9/M - 2744018

Please be informed that the data shown in this PDF Document is generated from our Online Catalog. Please find the complete data in the user's documentation. Our General Terms of Use for Downloads are valid (<http://phoenixcontact.com/download>)



D-SUB connector, 9-pos., male connector, two cable entries < 35°, universal type for all systems, pin assignment: 1, 2, 3, 4, 5, 6, 7, 8, 9 to one screw connection terminal block

### Product Features

- Separate terminal blocks for each cable
- Easy assembly thanks to knurled screws
- Flexibility in terms of cable entry selection
- High level of EMC
- Assembly under field conditions
- For universal use
- High transmission speed



### Key Commercial Data

Packing unit	1 pc
Weight per Piece (excluding packing)	62.0 g
Custom tariff number	85366990
Country of origin	Germany

### Technical data

#### Dimensions

Max. cable diameter	10 mm
Min. cable diameter	6 mm
Width	16 mm
Height	44 mm
Length	60 mm

#### Ambient conditions

Ambient temperature (operation)	-20 °C ... 75 °C
---------------------------------	------------------

## D-SUB bus connector - SUBCON-PLUS 9/M - 2744018

### Technical data

#### Ambient conditions

Ambient temperature (storage/transport)	-25 °C ... 80 °C
Altitude	5000 m (For restrictions see manufacturer's declaration)

#### General

Nominal voltage $U_N$	50 V
Nominal current $I_N$	100 mA
Bus system	RS-485
Signal	RS-485
Insertion/withdrawal cycles	> 200
SUBCON fixing screws	4-40 UNC
Tightening torque	0.4 Nm
Housing material	ABS, metal-plated
Pin assignment	all 1:1
MTTF	6706 Years (SN 29500 standard, temperature 25°C, operating cycle 21 % (5 days a week, 8 hours a day))
	1817 Years (SN 29500 standard, temperature 40 °C, operating cycle 34.25 % (5 days a week, 12 hours a day))
	155 Years (SN 29500 standard, temperature 40°C, operating cycle 100 % (7 days a week, 24 hours a day))

#### Connection data

Connection	D-SUB connection
Number of positions	9
Connection method	D-SUB connector
Tightening torque	0.4 Nm
Connection	PCB connection
Connection method	Screw connection
Conductor cross section flexible min.	0.14 mm <sup>2</sup>
Conductor cross section flexible max.	1 mm <sup>2</sup>
Conductor cross section solid min.	0.14 mm <sup>2</sup>
Conductor cross section solid max.	1.5 mm <sup>2</sup>
Min. AWG conductor cross section, flexible	26
Max. AWG conductor cross section, flexible	18
Conductor cross section AWG min.	26
Conductor cross section AWG max.	16
Stripping length	5 mm
Tightening torque	0.4 Nm

#### Standards and Regulations

# D-SUB bus connector - SUBCON-PLUS 9/M - 2744018

## Technical data

### Standards and Regulations

ATEX	# II 3 G Ex nA IIC T4 Gc X
------	----------------------------

## Classifications

### eCl@ss

eCl@ss 4.0	27140816
eCl@ss 4.1	27140816
eCl@ss 5.0	27143424
eCl@ss 5.1	27143424
eCl@ss 6.0	27143424
eCl@ss 7.0	27440209
eCl@ss 8.0	27440302

### ETIM

ETIM 2.0	EC001132
ETIM 3.0	EC001132
ETIM 4.0	EC001132
ETIM 5.0	EC001132

### UNSPSC

UNSPSC 6.01	30211802
UNSPSC 7.0901	39121402
UNSPSC 11	39121402
UNSPSC 12.01	39121402
UNSPSC 13.2	39121402

## Approvals

### Approvals

---

#### Approvals

UL Recognized / cUL Recognized / EAC / cULus Recognized

---

#### Ex Approvals

ATEX

---

# D-SUB bus connector - SUBCON-PLUS 9/M - 2744018

## Approvals

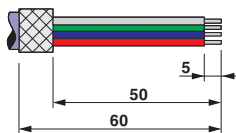
Approvals submitted

### Approval details

UL Recognized
cUL Recognized
EAC
cULus Recognized

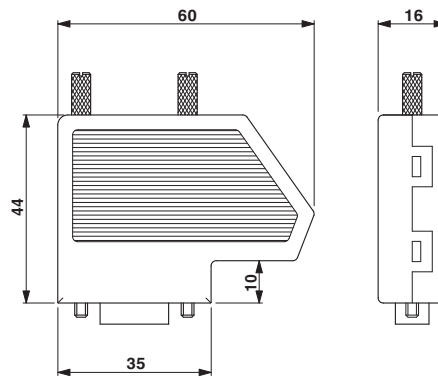
## Drawings

Schematic diagram



Stripping specifications

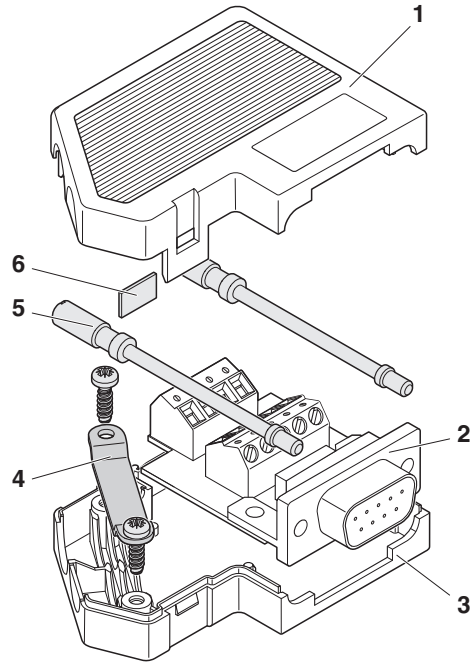
Dimensional drawing



Dimensional drawing SUBCON-PLUS...

# D-SUB bus connector - SUBCON-PLUS 9/M - 2744018

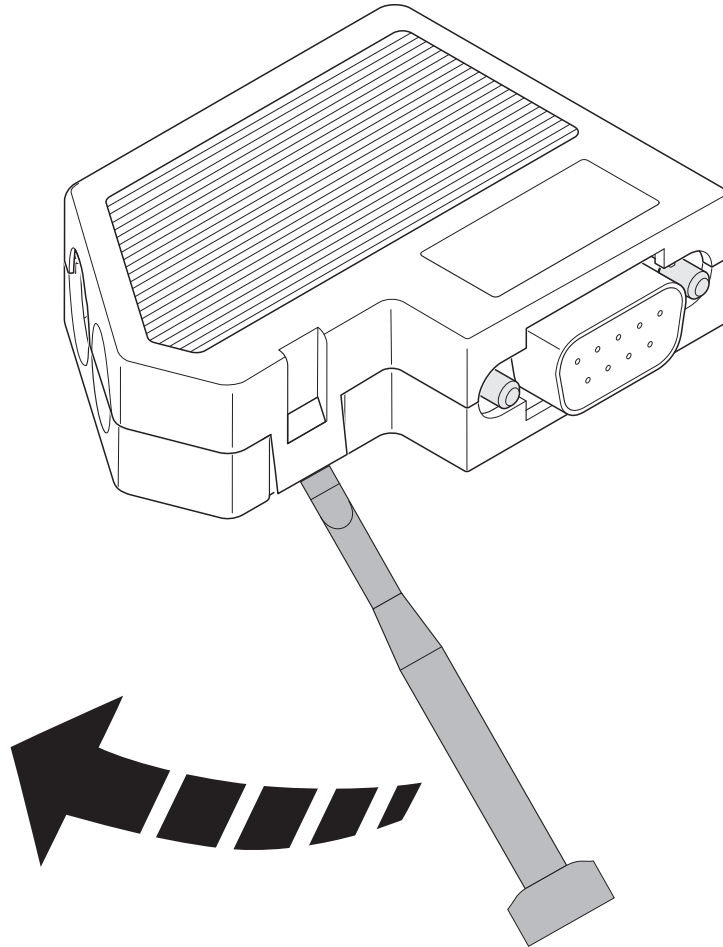
Schematic diagram



Exploded drawing

## D-SUB bus connector - SUBCON-PLUS 9/M - 2744018

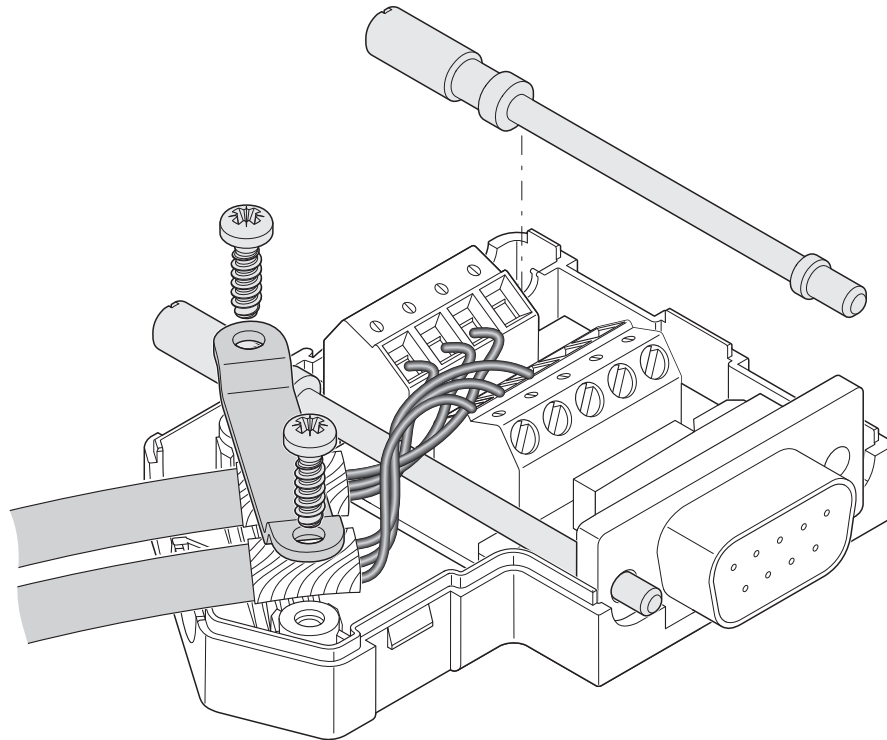
Schematic diagram



Opening the housing

## D-SUB bus connector - SUBCON-PLUS 9/M - 2744018

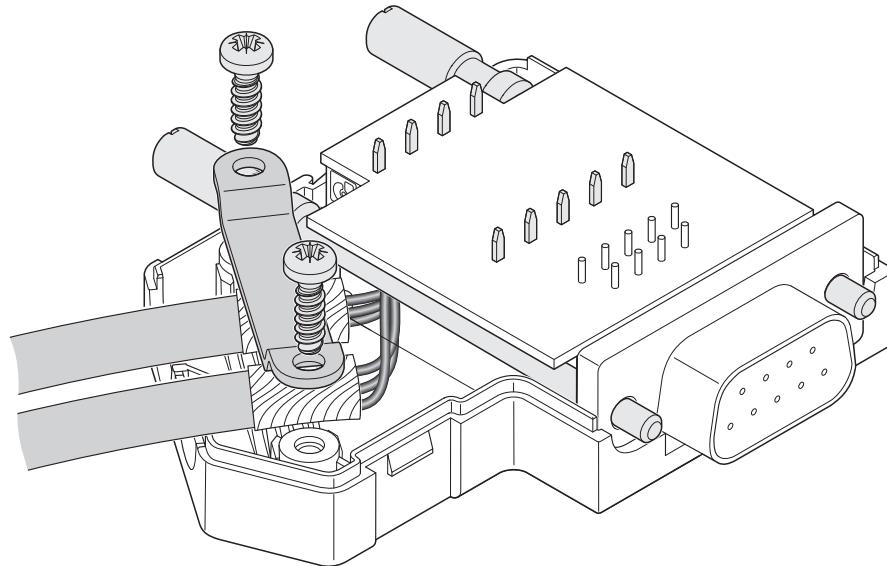
Schematic diagram



Left-hand side cable entry

## D-SUB bus connector - SUBCON-PLUS 9/M - 2744018

Schematic diagram

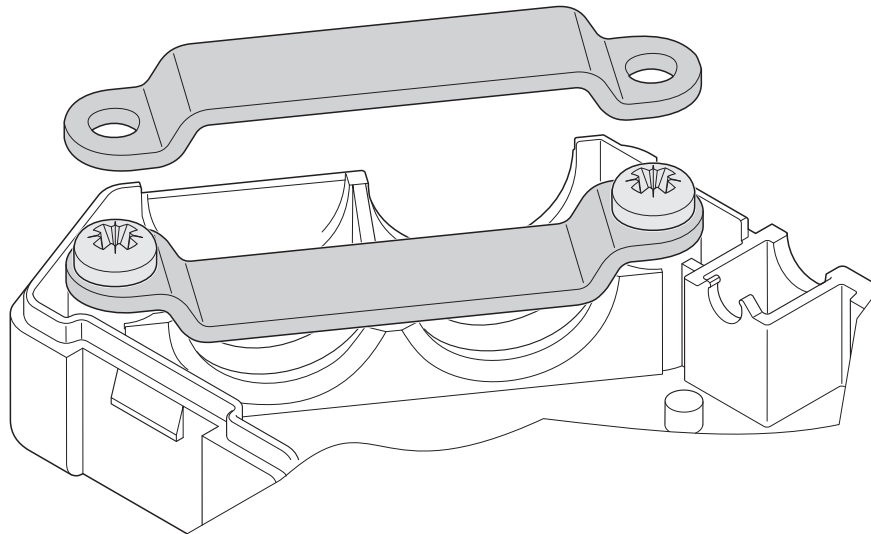


Right-hand side cable entry



## D-SUB bus connector - SUBCON-PLUS 9/M - 2744018

Schematic diagram



Clip bracket

---

Phoenix Contact 2016 © - all rights reserved  
<http://www.phoenixcontact.com>