

I/O module - IB L2 BOX 24 PWR IN DI 4/4 M12 - 2732392

Please be informed that the data shown in this PDF Document is generated from our Online Catalog. Please find the complete data in the user's documentation. Our General Terms of Use for Downloads are valid (<http://phoenixcontact.com/download>)



Power module, 4 digital inputs, 24 V DC, 4-wire connection method, connection for additional power supply, IP65/67 protection

The illustration shows version IB L2 BOX 24 DIO 2/2/4 M12-2A

Product Description

The INTERBUS-Loop 2 power module with IP67 protection boosts the INTERBUS-Loop 2 supply voltage. This may be required, for instance, in an application where the maximum line lengths between two devices as specified in the system parameters is exceeded. The power module enables the INTERBUS network to meet the application requirements.

The module is linked to INTERBUS-Loop 2 like the supply voltage using the QUICKON fast connection system.

The four digital inputs of the module connect four sensors using M12 connectors.

Key Commercial Data

Packing unit	1 pc
Weight per Piece (excluding packing)	235.0 g
Custom tariff number	85389091
Country of origin	Germany

Technical data

Dimensions

Width	62 mm
Height	60 mm

Interfaces

Connection method	QUICKON fast connection
Interface	INTERBUS-Loop 2

Power supply

Typical current consumption	32 mA (from INTERBUS-Loop 2)
I/O voltage	± 24 V DC 5 % (ripple)
I/O voltage range	20 V DC ... 30 V DC

General

Type of protection	Short-circuit protected initiator supply
--------------------	--

I/O module - IB L2 BOX 24 PWR IN DI 4/4 M12 - 2732392

Technical data

General

Weight	200 g
--------	-------

Classifications

eCl@ss

eCl@ss 4.0	27250304
eCl@ss 4.1	27250304
eCl@ss 5.0	27250304
eCl@ss 5.1	27242605
eCl@ss 6.0	27242605
eCl@ss 7.0	27242605
eCl@ss 8.0	27249290
eCl@ss 9.0	27240692

ETIM

ETIM 2.0	EC001433
ETIM 3.0	EC001601
ETIM 4.0	EC002584
ETIM 5.0	EC002584

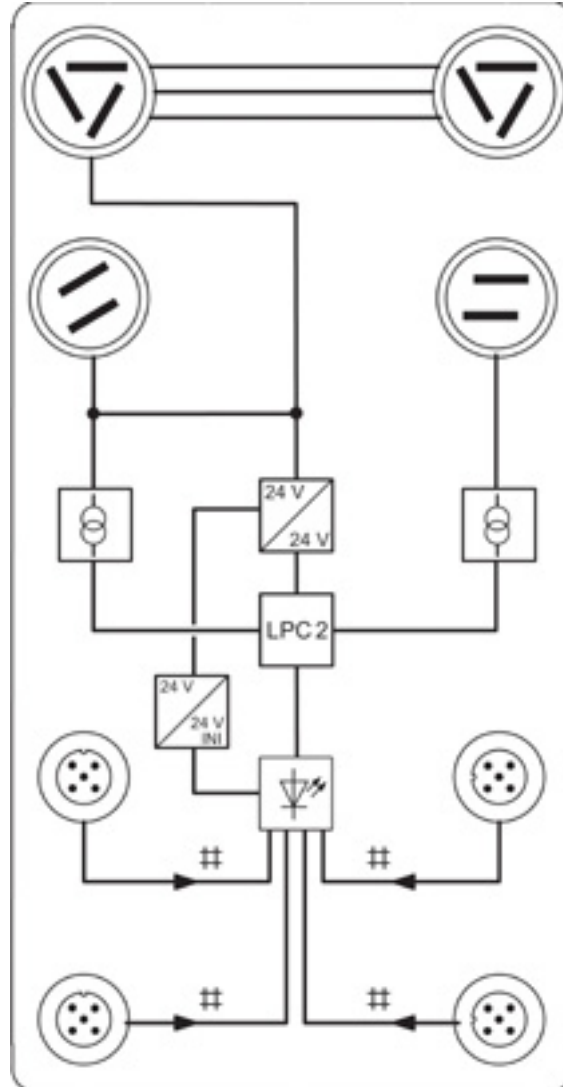
UNSPSC

UNSPSC 6.01	43172015
UNSPSC 7.0901	43201404
UNSPSC 11	43172015
UNSPSC 12.01	43201404
UNSPSC 13.2	43201404

Drawings

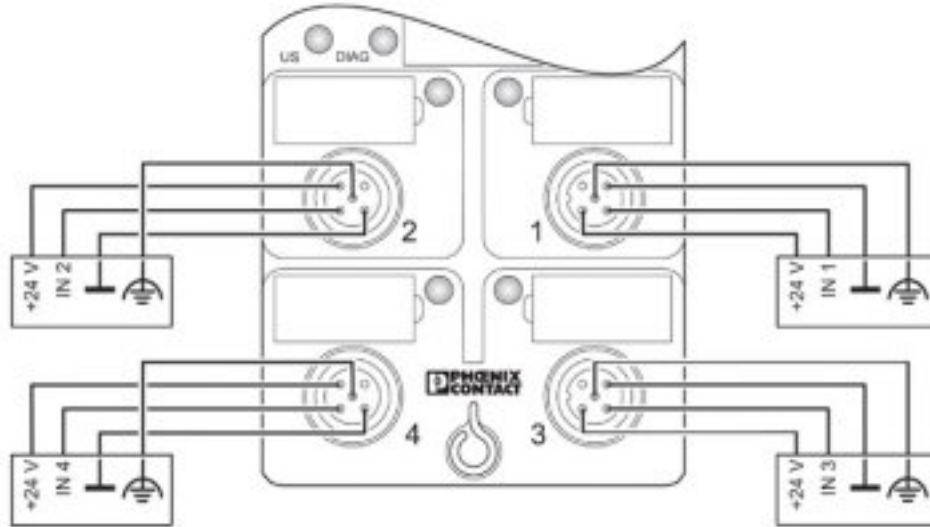
I/O module - IB L2 BOX 24 PWR IN DI 4/4 M12 - 2732392

Block diagram



I/O module - IB L2 BOX 24 PWR IN DI 4/4 M12 - 2732392

Connection diagram



Dimensional drawing

