

## Side element - UM-PRO LID-92 BK - 2200172

Please be informed that the data shown in this PDF Document is generated from our Online Catalog. Please find the complete data in the user's documentation. Our General Terms of Use for Downloads are valid (<http://phoenixcontact.com/download>)

Press-drawn section housings, length: 95 mm, Grid cover, color: black, width: 9.95 mm, height: 36.7 mm



### Your advantages

- ✔ Item is from the UM-BASIC/UM-PRO product range
- ✔ PVC press-drawn section (UM-BASIC) or PA (UM-PRO)
- ✔ Available in individual lengths
- ✔ Available in the overall widths of 72 mm, 108 mm, and 122 mm
- ✔ Variety of connection technologies
- ✔ Can be mounted on the DIN rail

### Key Commercial Data

Packing unit	1 pc
Minimum order quantity	10 pc
GTIN	 4 046356 547628
GTIN	4046356547628
Weight per Piece (excluding packing)	12.000 g
Custom tariff number	39269097
Country of origin	Poland

### Technical data

#### General

Housing type	Press-drawn section housings
Housing material	Polyamide
Color (RAL)	black

## Side element - UM-PRO LID-92 BK - 2200172

### Technical data

#### Ambient conditions

Ambient temperature (operation)	-40 °C ... 100 °C (depending on power dissipation)
---------------------------------	--

#### Dimensions

Length	95 mm
Height	36.7 mm
Width	9.95 mm

#### Standards and Regulations

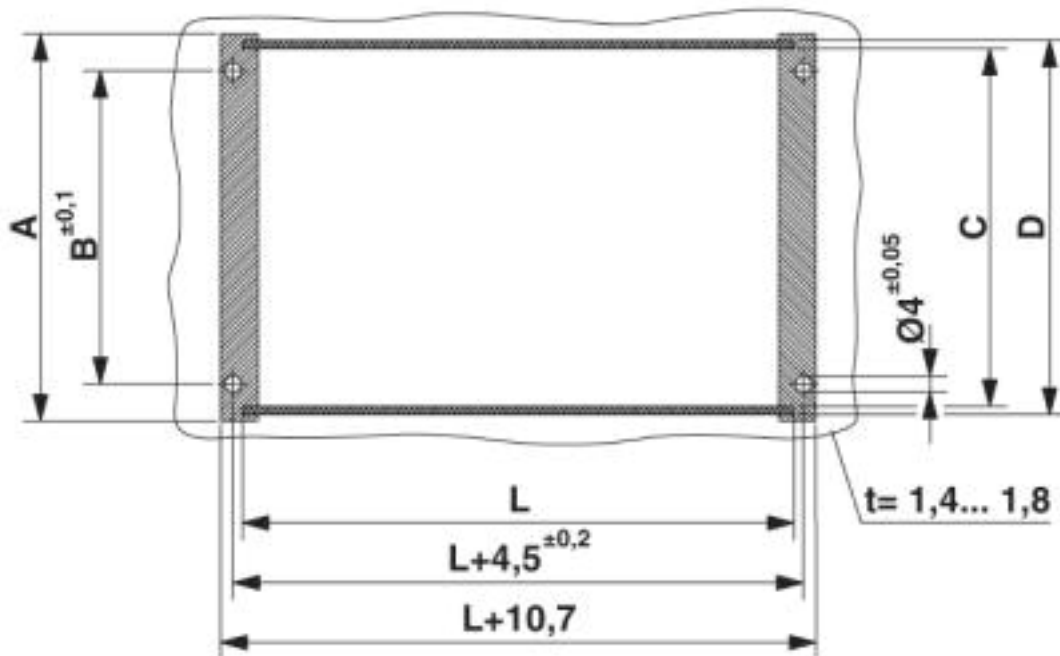
Flammability rating according to UL 94	V0
--	----

#### Environmental Product Compliance

China RoHS	Environmentally friendly use period: unlimited = EFUP-e
	No hazardous substances above threshold values

### Drawings

Dimensional drawing



L = Length of the desired cover; Dimensions: A = 95 mm; B = 77 mm; C = 88 mm; D = 92 mm

## Side element - UM-PRO LID-92 BK - 2200172

### Classifications

#### eCl@ss

eCl@ss 10.0.1	27182701
eCl@ss 4.0	27180400
eCl@ss 4.1	27180400
eCl@ss 5.0	27180500
eCl@ss 5.1	27180500
eCl@ss 6.0	27400500
eCl@ss 7.0	27182701
eCl@ss 8.0	27182701
eCl@ss 9.0	27182701

#### ETIM

ETIM 3.0	EC001031
ETIM 4.0	EC000482
ETIM 5.0	EC002779
ETIM 6.0	EC002779
ETIM 7.0	EC002779

#### UNSPSC

UNSPSC 6.01	31261501
UNSPSC 7.0901	31261501
UNSPSC 11	31261501
UNSPSC 12.01	31261501
UNSPSC 13.2	31261501