

PCB terminal block - PTSM 0,5/ 8-2,5-V SMD R44 - 1771156

Please be informed that the data shown in this PDF Document is generated from our Online Catalog. Please find the complete data in the user's documentation. Our General Terms of Use for Downloads are valid (<http://phoenixcontact.com/download>)



PCB terminal block, Nominal current: 6 A, Nom. voltage: 160 V, Pitch: 2.5 mm, Number of positions: 8, Connection method: Push-in spring connection, Mounting: SMD soldering, Conductor/PCB connection direction: 90 °, Color: black

The illustration shows a 3-position version

Product Features

- Compact low-profile SMD PCB terminal block with 2.5 mm pitch
- High current carrying capacity for high power transmission
- Supplied in tape-on-reel packing according to IEC 60286-3 for automated mounting
- Rugged solder anchor for secure, mechanical fixing to the surface
- Spring-cage connection with direct plug-in technology with a release mechanism
- Specifically designed for use in dedicated SMT processes



Key Commercial Data

| | |
|--------------------------------------|----------|
| Packing unit | 1 pc |
| Minimum order quantity | 400 pc |
| Weight per Piece (excluding packing) | 3.15 g |
| Custom tariff number | 85369010 |
| Country of origin | India |

Technical data

Dimensions

| | |
|--------------------------|---------|
| Length | 5 mm |
| Pitch | 2.50 mm |
| Dimension a | 17.5 mm |
| Length of the solder pin | 2 mm |
| Pin spacing | 2.5 mm |

PCB terminal block - PTSM 0,5/ 8-2,5-V SMD R44 - 1771156

Technical data

General

| | |
|--|---------------------|
| Range of articles | PTSM 0,5/..-V-SMD |
| Insulating material group | IIIa |
| Rated surge voltage (III/3) | 2.5 kV |
| Rated surge voltage (III/2) | 2.5 kV |
| Rated surge voltage (II/2) | 2.5 kV |
| Rated voltage (III/3) | 32 V |
| Rated voltage (III/2) | 160 V |
| Rated voltage (II/2) | 160 V |
| Connection in acc. with standard | EN-VDE |
| Nominal current I_N | 6 A |
| Nominal cross section | 0.5 mm ² |
| Maximum load current | 6 A |
| Insulating material | LCP |
| Solder pin surface | Sn |
| Flammability rating according to UL 94 | V0 |
| Stripping length | 6 mm |
| Number of positions | 8 |

Connection data

| | |
|--|----------------------|
| Conductor cross section solid min. | 0.14 mm ² |
| Conductor cross section solid max. | 0.5 mm ² |
| Conductor cross section flexible min. | 0.2 mm ² |
| Conductor cross section flexible max. | 0.5 mm ² |
| Conductor cross section flexible, with ferrule without plastic sleeve min. | 0.25 mm ² |
| Conductor cross section flexible, with ferrule without plastic sleeve max. | 0.5 mm ² |
| Conductor cross section AWG min. | 24 |
| Conductor cross section AWG max. | 20 |

Standards and Regulations

| | |
|--|--------|
| Connection in acc. with standard | EN-VDE |
| | UL |
| Flammability rating according to UL 94 | V0 |

Classifications

eCl@ss

| | |
|------------|----------|
| eCl@ss 4.0 | 27141109 |
| eCl@ss 4.1 | 27141109 |

PCB terminal block - PTSM 0,5/ 8-2,5-V SMD R44 - 1771156

Classifications

eCl@ss

| | |
|------------|----------|
| eCl@ss 5.0 | 27141190 |
| eCl@ss 5.1 | 27141190 |
| eCl@ss 6.0 | 27261101 |
| eCl@ss 7.0 | 27440401 |
| eCl@ss 8.0 | 27440401 |
| eCl@ss 9.0 | 27440401 |

ETIM

| | |
|----------|----------|
| ETIM 3.0 | EC001121 |
| ETIM 4.0 | EC002643 |
| ETIM 5.0 | EC002637 |

UNSPSC

| | |
|---------------|----------|
| UNSPSC 6.01 | 30211801 |
| UNSPSC 7.0901 | 39121432 |
| UNSPSC 11 | 39121432 |
| UNSPSC 12.01 | 39121432 |
| UNSPSC 13.2 | 39121432 |

Approvals

Approvals

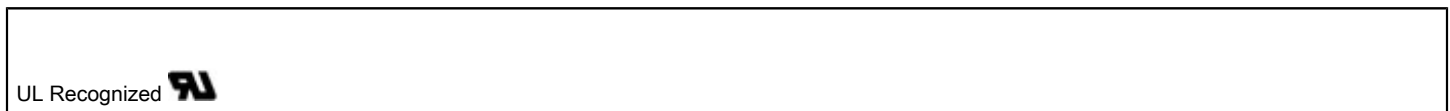
Approvals

UL Recognized / UL Recognized / EAC

Ex Approvals

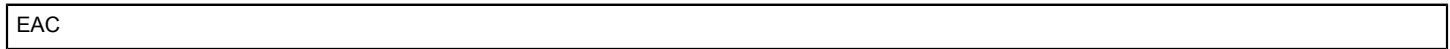
Approvals submitted

Approval details



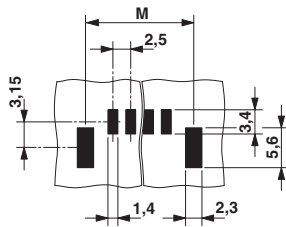
PCB terminal block - PTSM 0,5/ 8-2,5-V SMD R44 - 1771156

Approvals

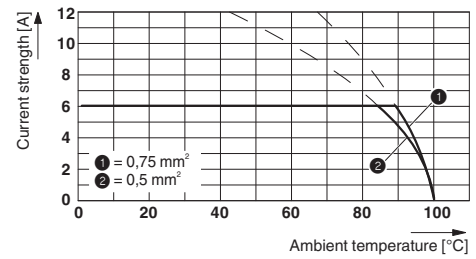


Drawings

Drilling diagram

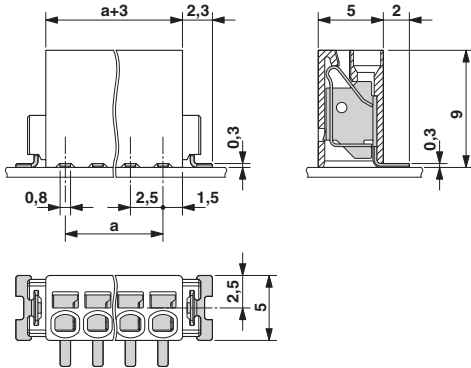


Diagram



Dimension M: 23.4 mm

Dimensional drawing



Dimensional drawing

