

Panel mounting frames - VS-08-A-RJ45/MOD-1-R-IP67 - 1689844

Please be informed that the data shown in this PDF Document is generated from our Online Catalog. Please find the complete data in the user's documentation. Our General Terms of Use for Downloads are valid (<http://phoenixcontact.com/download>)



RJ45 panel mounting frame, IP67, for modular socket inserts (Keystone), for round panel cutout, with grommet, with thread and union nut, color: gray



Ethernet

Key Commercial Data

Packing unit	1 pc
GTIN	 4 017918 970802
Weight per Piece (excluding packing)	11.6 g
Custom tariff number	85389099
Country of origin	Germany

Technical data

Mechanical characteristics

Number of slots	1
Insertion/withdrawal cycles	≥ 1000
Color	gray
Tightening torque, min.	2.5 Nm

Ambient conditions

Ambient temperature (operation)	-40 °C ... 80 °C
Degree of protection	IP67

Material data

Flammability rating according to UL 94	V0
Housing material	PA
Material	Plastic
Sealing material	NBR

Panel mounting frames - VS-08-A-RJ45/MOD-1-R-IP67 - 1689844

Technical data

Material data

Seal material	NBR
---------------	-----

Electrical characteristics

Pollution degree	2
------------------	---

Standards and Regulations

Flammability rating according to UL 94	V0
----------------------------------------	----

Classifications

eCl@ss

eCl@ss 4.0	27140816
eCl@ss 4.1	27260701
eCl@ss 5.0	27260701
eCl@ss 5.1	27260701
eCl@ss 6.0	27260705
eCl@ss 7.0	27440309
eCl@ss 8.0	27440210

ETIM

ETIM 2.0	EC000764
ETIM 3.0	EC001121
ETIM 4.0	EC002310
ETIM 5.0	EC002310

UNSPSC

UNSPSC 6.01	31261501
UNSPSC 7.0901	31261501
UNSPSC 11	31261501
UNSPSC 12.01	31261501
UNSPSC 13.2	31261501

Approvals

Approvals

Approvals

EAC

Panel mounting frames - VS-08-A-RJ45/MOD-1-R-IP67 - 1689844

Approvals

Ex Approvals

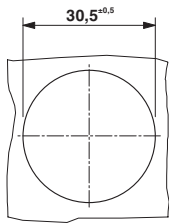
Approvals submitted

Approval details

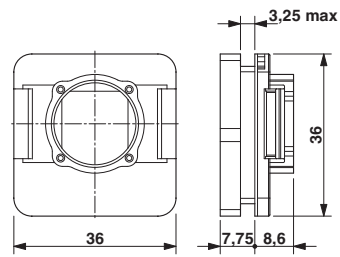
EAC

Drawings

Dimensional drawing



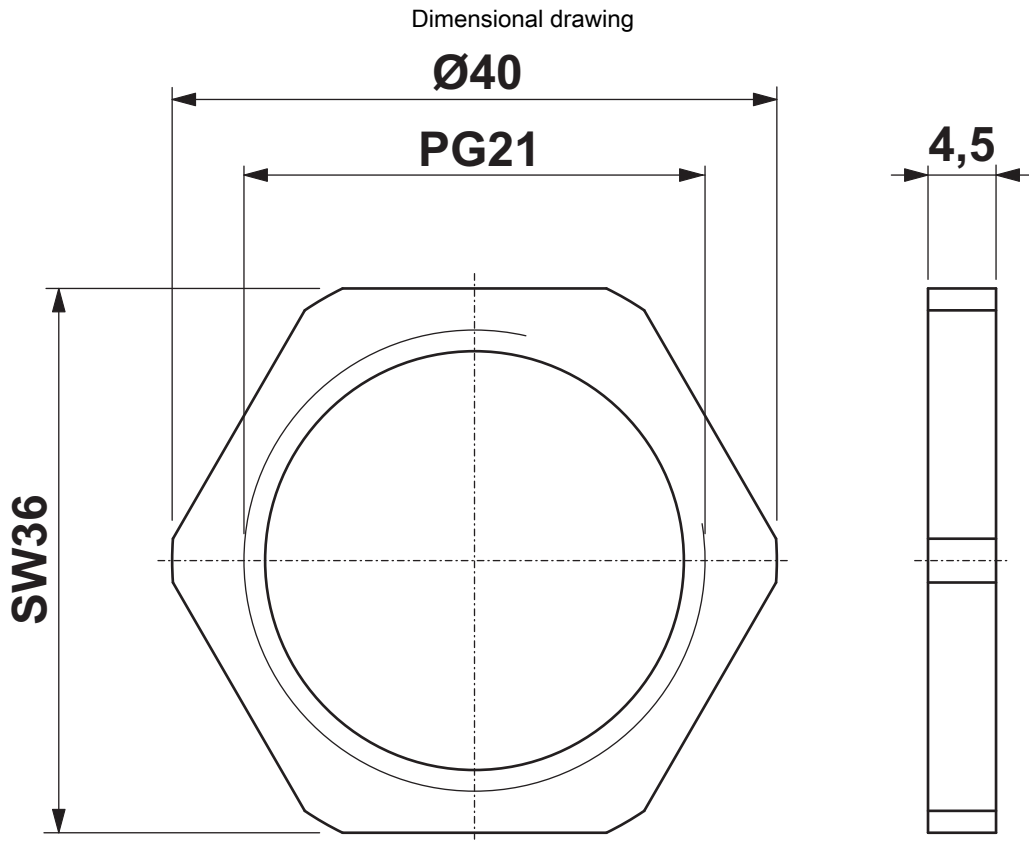
Dimensional drawing



RJ45 panel mounting frame, IP67

Panel cutout

Panel mounting frames - VS-08-A-RJ45/MOD-1-R-IP67 - 1689844



Union nut