

D-SUB cable - VS-09-DSUB-20-LI-5,0 - 1656259

Please be informed that the data shown in this PDF Document is generated from our Online Catalog. Please find the complete data in the user's documentation. Our General Terms of Use for Downloads are valid (<http://phoenixcontact.com/download>)



Assembled D-SUB cable, shielded, 9-pos., stranded (7-wire), cable color: RAL 7000 (gray), secured using 4-40 UNC thread, IP20 protection, head 1 with socket shell 1 and straight cable outlet, head 2 with pin shell 1 and straight cable outlet, length: 5 m

RoHS

Key Commercial Data

| | |
|--------------------------------------|---|
| Packing unit | 1 pc |
| GTIN |  4 046356 029735 |
| GTIN | 4046356029735 |
| Weight per Piece (excluding packing) | 232.400 g |
| Custom tariff number | 85444290 |
| Country of origin | China |

Technical data

Mechanical characteristics

| | |
|-----------------------------|----------|
| Number of positions | 9 |
| Insertion/withdrawal cycles | ≥ 50 |
| Cable outlet | straight |
| Degree of protection | IP20 |

Ambient conditions

| | |
|---------------------------------|----------------|
| Ambient temperature (operation) | 0 °C ... 70 °C |
| Degree of protection | IP20 |

Material data

| | |
|------------------|--------------|
| Housing material | PVC |
| Contact material | Copper alloy |

D-SUB cable - VS-09-DSUB-20-LI-5,0 - 1656259

Technical data

Material data

| | |
|--------------------------|-------------|
| Contact surface material | gold-plated |
| Outer sheath, material | PVC |

Electrical characteristics

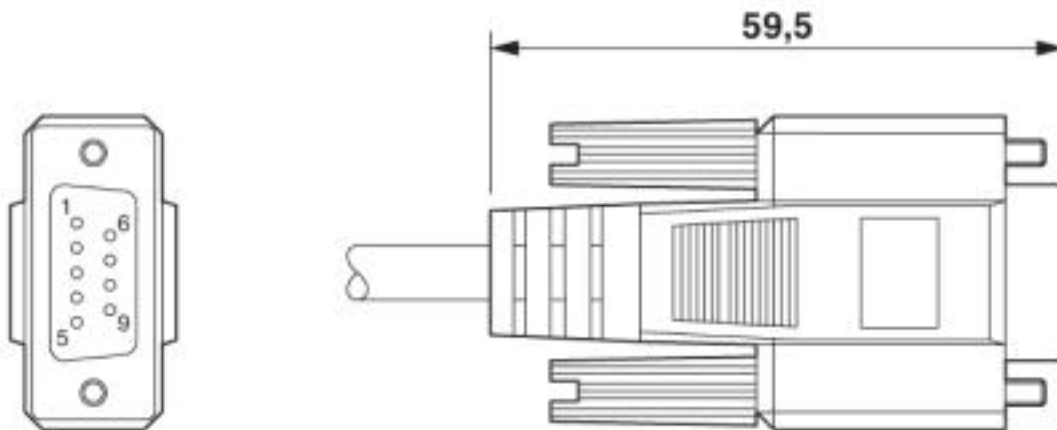
| | |
|-----------------------|-------|
| Number of positions | 9 |
| Rated current | 1 A |
| Overvoltage category | III |
| Degree of pollution | 2 |
| Rated voltage (III/3) | 125 V |

Environmental Product Compliance

| | |
|------------|---|
| China RoHS | Environmentally friendly use period: unlimited = EFUP-e |
| | No hazardous substances above threshold values |

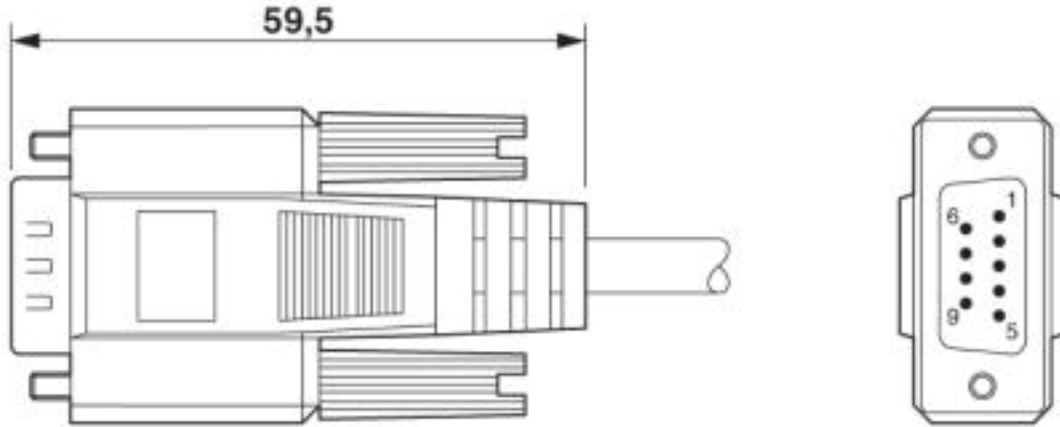
Drawings

Dimensional drawing



D-SUB cable - VS-09-DSUB-20-LI-5,0 - 1656259

Dimensional drawing

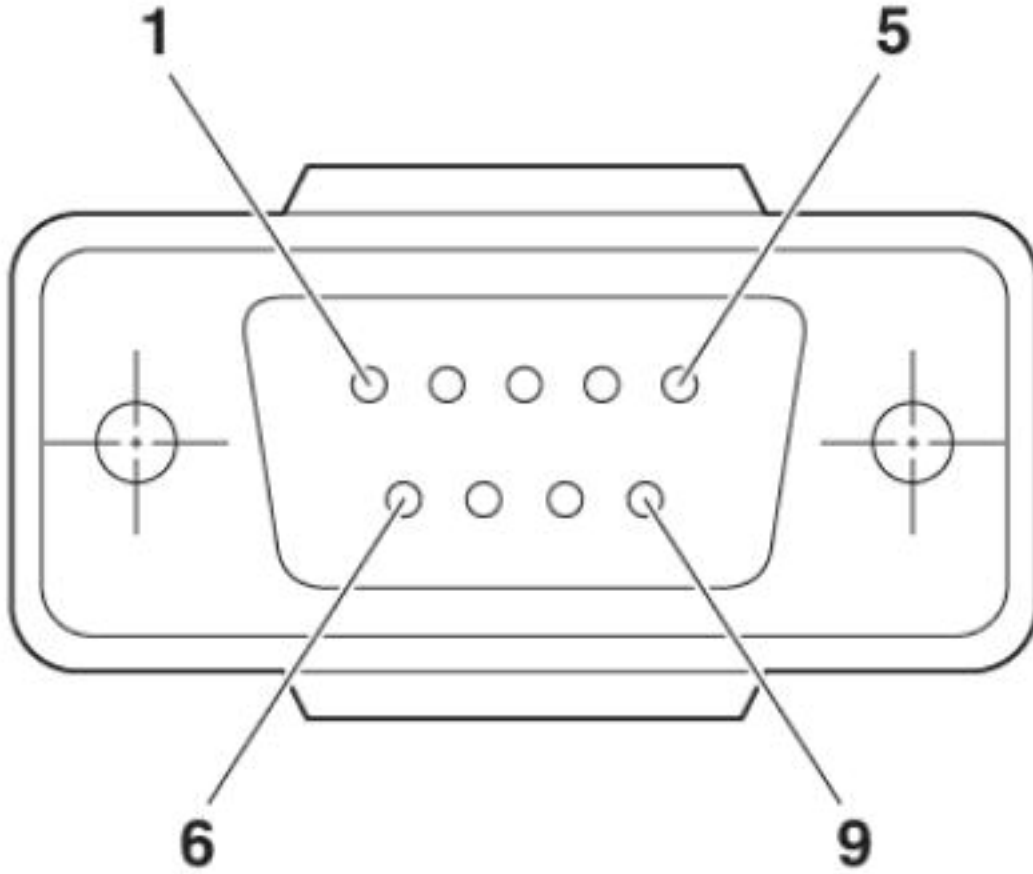


Circuit diagram



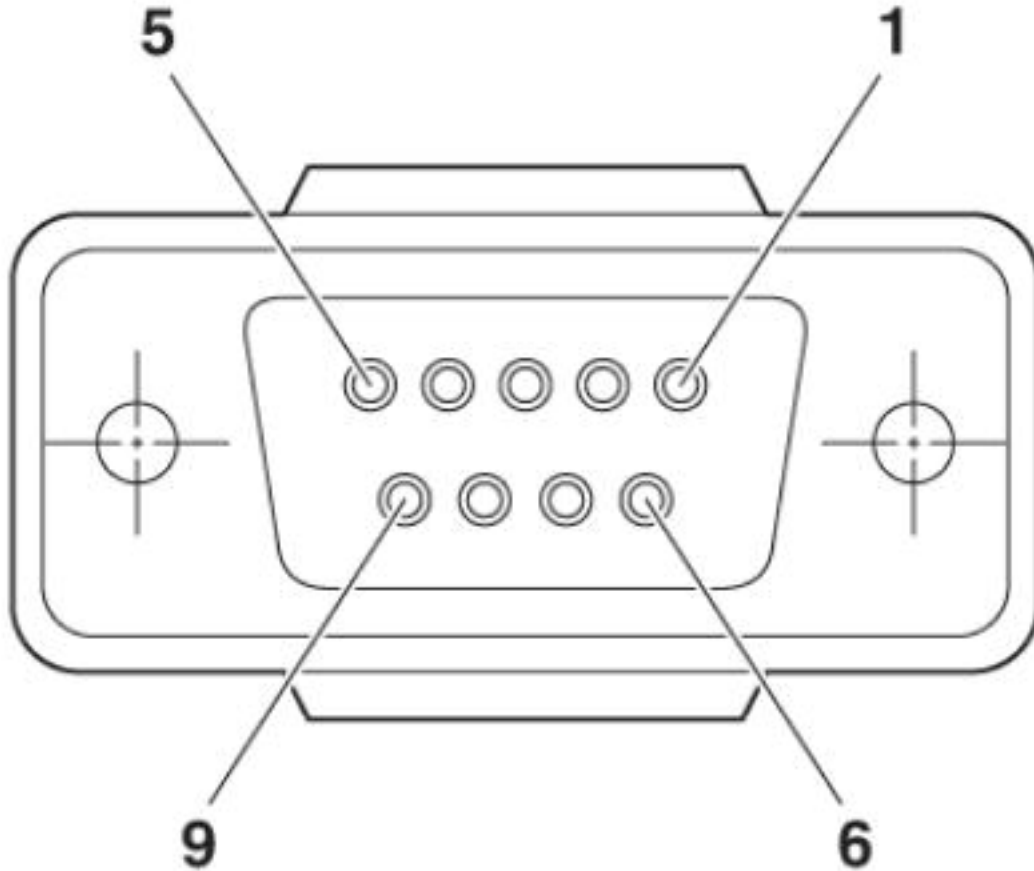
D-SUB cable - VS-09-DSUB-20-LI-5,0 - 1656259

Schematic diagram



D-SUB cable - VS-09-DSUB-20-LI-5,0 - 1656259

Schematic diagram



Classifications

eCl@ss

| | |
|---------------|----------|
| eCl@ss 10.0.1 | 27060390 |
| eCl@ss 4.0 | 24010400 |
| eCl@ss 4.1 | 24010400 |
| eCl@ss 5.0 | 19030300 |
| eCl@ss 5.1 | 19030300 |
| eCl@ss 6.0 | 27060300 |
| eCl@ss 7.0 | 27060390 |
| eCl@ss 8.0 | 27060390 |
| eCl@ss 9.0 | 27060390 |

D-SUB cable - VS-09-DSUB-20-LI-5,0 - 1656259

Classifications

ETIM

| | |
|----------|----------|
| ETIM 2.0 | EC000830 |
| ETIM 3.0 | EC001855 |
| ETIM 4.0 | EC001855 |
| ETIM 5.0 | EC001408 |
| ETIM 6.0 | EC000748 |
| ETIM 7.0 | EC000748 |

UNSPSC

| | |
|---------------|----------|
| UNSPSC 6.01 | 31261501 |
| UNSPSC 7.0901 | 31261501 |
| UNSPSC 11 | 31261501 |
| UNSPSC 12.01 | 31261501 |
| UNSPSC 13.2 | 26121604 |

Approvals

Approvals


Approvals

EAC / EAC

Ex Approvals

Approval details

| | | |
|-----|---|---------|
| EAC |  | B.01742 |
|-----|---|---------|

| | | |
|-----|---|---------|
| EAC |  | B.00767 |
|-----|---|---------|
