

D-SUB gender changer - VS-15-GC-BU/BU - 1652664

Please be informed that the data shown in this PDF Document is generated from our Online Catalog. Please find the complete data in the user's documentation. Our General Terms of Use for Downloads are valid (<http://phoenixcontact.com/download>)

D-SUB contact insert, shell size 2, with 15 signal contacts, type of contact socket, gender changer, fixing with 4-40 UNC thread



Key Commercial Data

Packing unit	1 STK
Minimum order quantity	10 STK
Weight per Piece (excluding packing)	13.560 g
Custom tariff number	85366990
Country of origin	Germany

Technical data

Mechanical characteristics

Number of positions	15
Insertion/withdrawal cycles	≥ 200
Connection method	Gender changer
Cable exit	straight
Mounting type	Threads
Design	D-SUB 15
Size of housing	2

Ambient conditions

Ambient temperature (operation)	-55 °C ... 125 °C
---------------------------------	-------------------

Material data

Flammability rating according to UL 94	V0
Housing material	Steel, yellow chromated
Contact carrier material	Polyester GF

D-SUB gender changer - VS-15-GC-BU/BU - 1652664

Technical data

Material data

Contact material	Copper alloy
Contact surface material	Hard gold-plated over nickel

Electrical characteristics

Number of positions	15
Rated current	5 A
Overvoltage category	III
Degree of pollution	2

Standards and Regulations

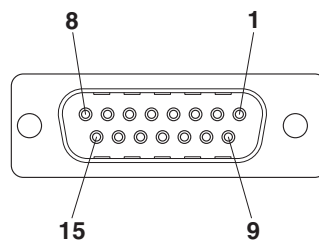
Flammability rating according to UL 94	V0
--	----

Environmental Product Compliance

China RoHS	Environmentally Friendly Use Period = 50
	For details about hazardous substances go to tab "Downloads", Category "Manufacturer's declaration"

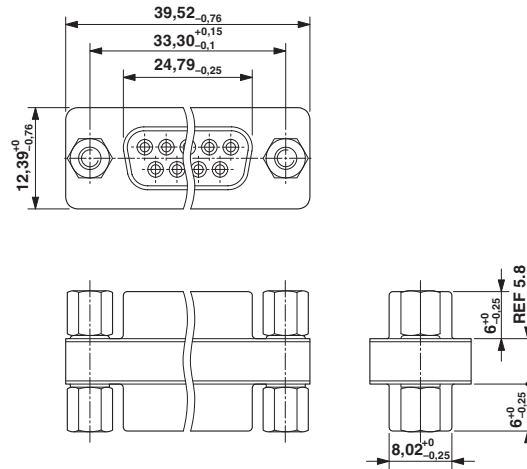
Drawings

Schematic diagram



D-SUB gender changer - VS-15-GC-BU/BU - 1652664

Dimensional drawing



Gender changer

Approvals

Approvals

Approvals

EAC

Ex Approvals

Approval details

EAC B.01742
