

## Sensor/actuator cable - SAC-3P-M12MS/5,0-PUR/M12FR2LBK - 1555457

Please be informed that the data shown in this PDF Document is generated from our Online Catalog. Please find the complete data in the user's documentation. Our General Terms of Use for Downloads are valid (<http://phoenixcontact.com/download>)

Sensor/actuator cable, 3-position, PUR/PVC, black-gray RAL 7021, Plug straight M12, A-coded, on Socket angled M12, A-coded, with 2 LEDs, cable length: 5 m

### Key Commercial Data

Packing unit	1 pc
Minimum order quantity	50 pc
GTIN	 4 046356 165617
GTIN	4046356165617
Weight per Piece (excluding packing)	209.000 g
Custom tariff number	85444290
Country of origin	Poland

### Technical data

#### Dimensions

Length of cable	5 m
-----------------	-----

#### Ambient conditions

Degree of protection	IP65
	IP67
	IP68

#### General

Rated current at 40°C	4 A
Rated voltage	24 V
	24 V DC
Number of positions	3
Insulation resistance	≥ 100 MΩ
Coding	A - standard
Status display	2 LEDs
Overvoltage category	II

# Sensor/actuator cable - SAC-3P-M12MS/5,0-PUR/M12FR2LBK - 1555457

## Technical data

### General

Degree of pollution	3
Insertion/withdrawal cycles	≥ 100

### Material

Flammability rating according to UL 94	HB
Contact material	CuSn
Contact surface material	Ni/Au
Contact carrier material	TPU GF
Material of grip body	TPU, hardly inflammable, self-extinguishing
Material, knurls	Zinc die-cast, nickel-plated
Sealing material	NBR

### Standards and Regulations

Flammability rating according to UL 94	HB
--	----

### Cable

Cable type	PUR/PVC black
Cable type (abbreviation)	350
Cable abbreviation	LiYY-11Y
UL AWM style	20549 / 1729
Conductor cross section	0.34 mm <sup>2</sup>
Conductor structure signal line	42x 0.10 mm
Core diameter including insulation	1.5 mm ±0.05 mm
Thickness, insulation	≥ 0.23 mm (Core insulation)
Wire colors	brown, blue, black
Overall twist	3 wires, twisted
Length of twist, overall twist	55 mm
External sheath, color	black-gray RAL 7021
Inner sheath thickness	approx. 0.5 mm
Outer sheath thickness	≥ 0.38 mm (Outer cable sheath)
External cable diameter D	5.2 mm ±0.2 mm
Smallest bending radius, fixed installation	26 mm
Smallest bending radius, movable installation	52 mm
Cable weight	37 kg/km
Outer sheath, material	PUR
Material, inner sheath	PVC
Material conductor insulation	PVC
Conductor material	Bare Cu litz wires
Insulation resistance	≥ 100 MΩ*km (at 20 °C)

## Sensor/actuator cable - SAC-3P-M12MS/5,0-PUR/M12FR2LBK - 1555457

### Technical data

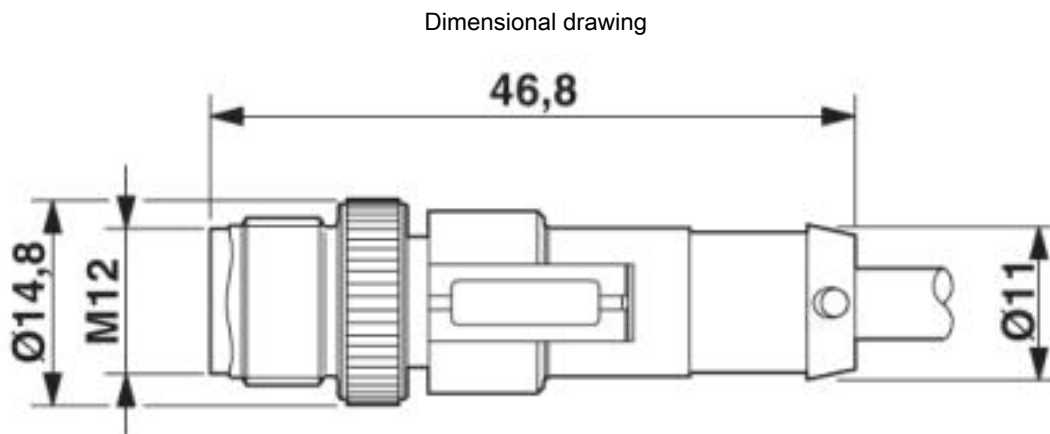
#### Cable

Conductor resistance	max. 58 Ω/km (at 20 °C)
Nominal voltage, cable	300 V
Test voltage, cable	3000 V
Special properties	Flexible use, however not recommended for use in drag chains
Flame resistance	according to UL 758/1581 (horizontal)
	in accordance with UL 758/1581 FT2
	According to DIN EN 60332-2-2 (20 s)
Other resistance	hydrolysis and microbe resistant
	Low adhesion
	abrasion-resistant
Ambient temperature (operation)	-40 °C ... 80 °C (cable, fixed installation)
	-20 °C ... 80 °C (cable, flexible installation)

#### Environmental Product Compliance

China RoHS	Environmentally friendly use period: unlimited = EFUP-e
	No hazardous substances above threshold values

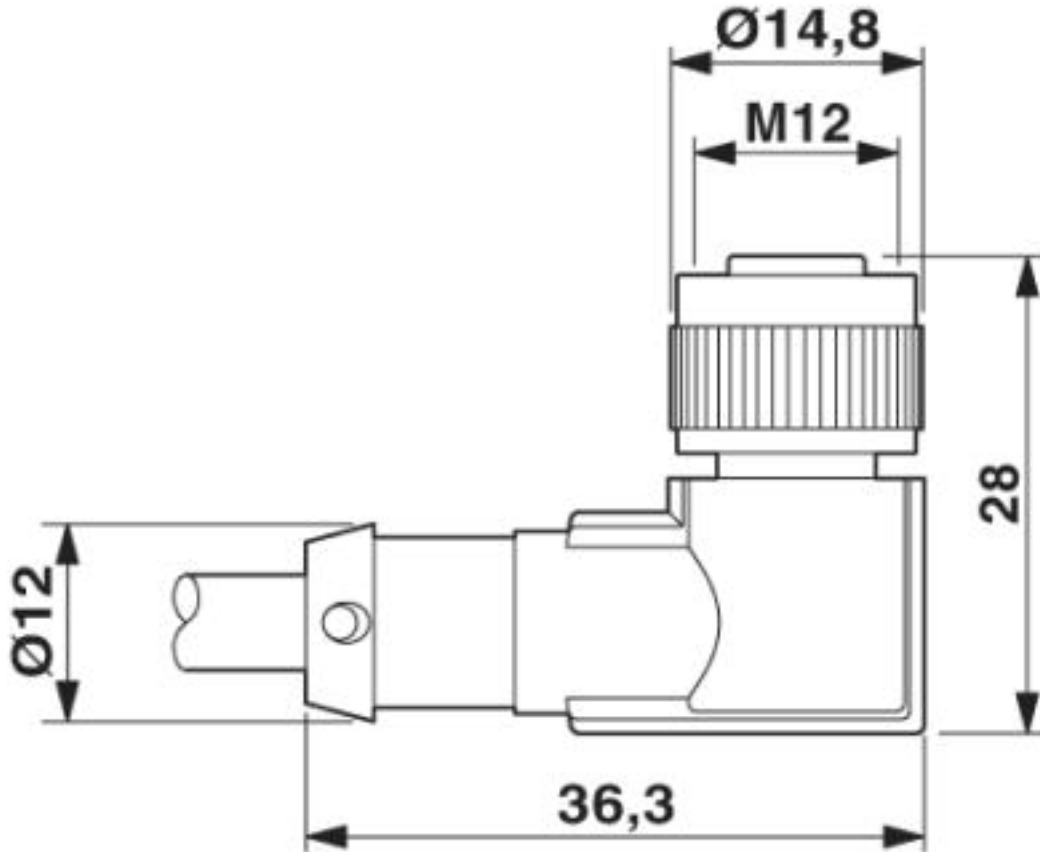
### Drawings



Plug, M12 x 1, straight, shielded

# Sensor/actuator cable - SAC-3P-M12MS/5,0-PUR/M12FR2LBK - 1555457

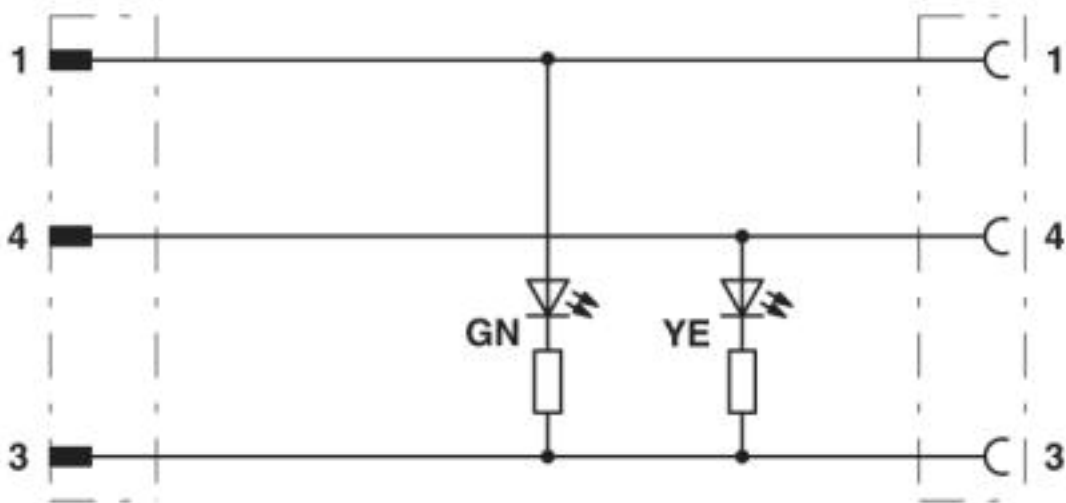
Dimensional drawing



Socket M12 x 1, angled, with LED

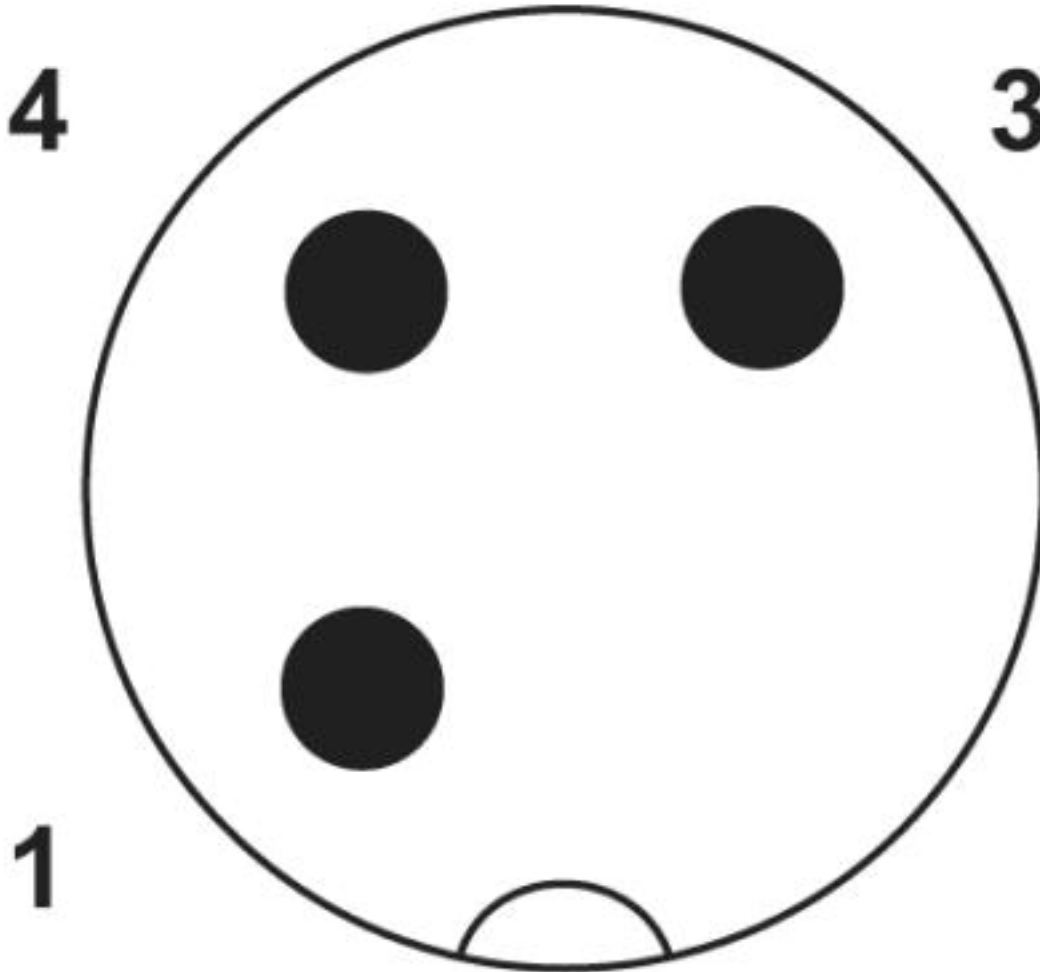
# Sensor/actuator cable - SAC-3P-M12MS/5,0-PUR/M12FR2LBK - 1555457

Circuit diagram



# Sensor/actuator cable - SAC-3P-M12MS/5,0-PUR/M12FR2LBK - 1555457

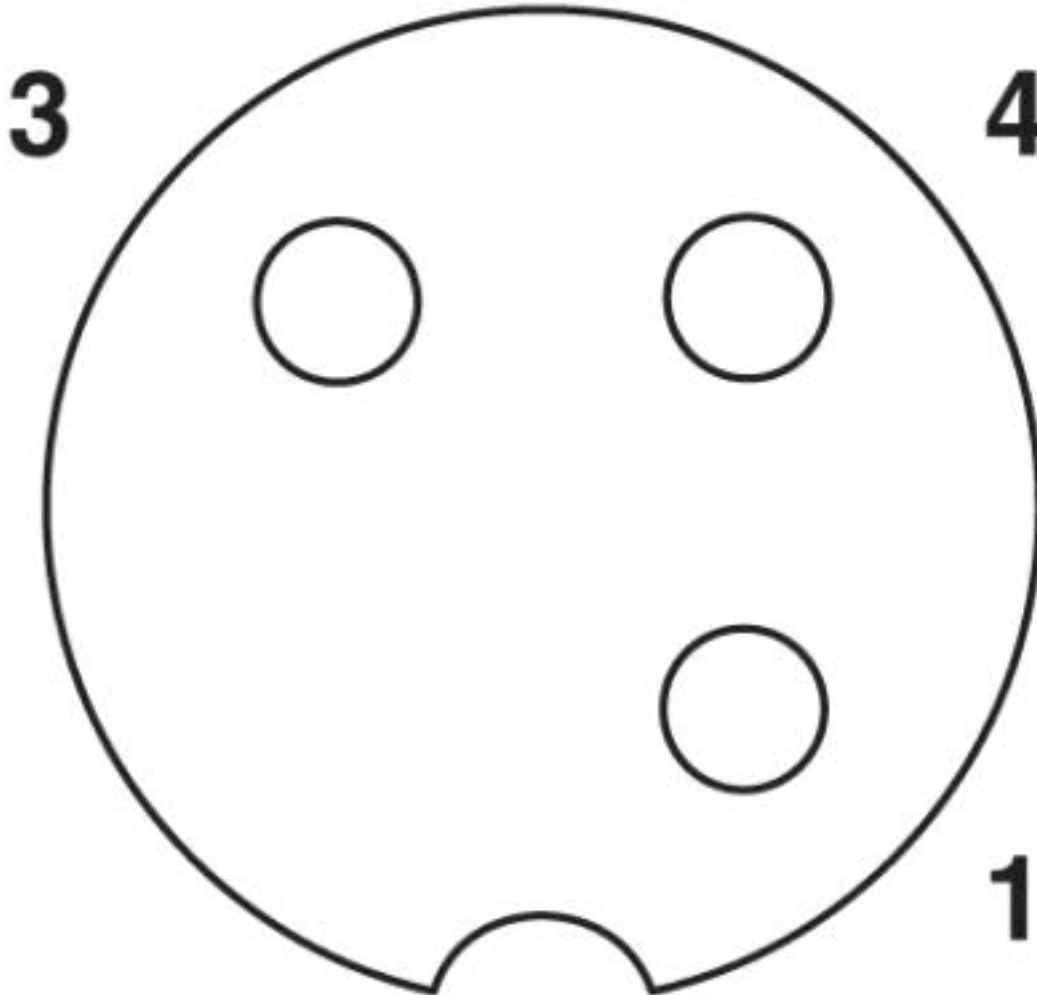
Schematic diagram



Pin assignment M12 plug, 3-pos., A-coded, view male side

# Sensor/actuator cable - SAC-3P-M12MS/5,0-PUR/M12FR2LBK - 1555457

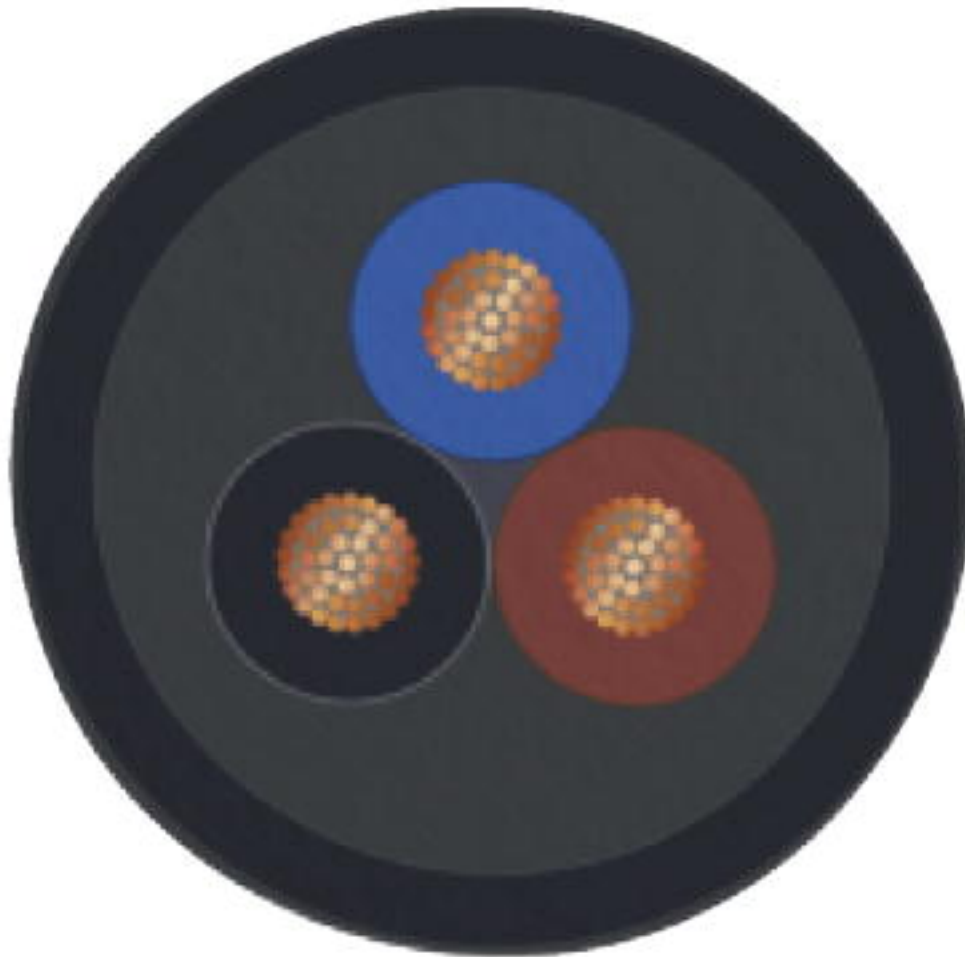
Schematic diagram



Pin assignment M12 socket, 3-pos., A-coded, view female side

## Sensor/actuator cable - SAC-3P-M12MS/5,0-PUR/M12FR2LBK - 1555457

Cable cross section



PUR/PVC black [350]

### Classifications

eCl@ss

eCl@ss 4.0	27060300
eCl@ss 4.1	27060300
eCl@ss 5.0	27061800
eCl@ss 5.1	27061800
eCl@ss 6.0	27279200
eCl@ss 7.0	27279218
eCl@ss 8.0	27279218



# Sensor/actuator cable - SAC-3P-M12MS/5,0-PUR/M12FR2LBK - 1555457

## Classifications

eCl@ss

eCl@ss 9.0	27060311
------------	----------

### ETIM

ETIM 3.0	EC001855
ETIM 4.0	EC001855
ETIM 5.0	EC001855
ETIM 6.0	EC001855
ETIM 7.0	EC001855

### UNSPSC

UNSPSC 6.01	31251501
UNSPSC 7.0901	31251501
UNSPSC 11	31251501
UNSPSC 12.01	31251501
UNSPSC 13.2	31251501

## Approvals

### Approvals

---

Approvals


UL Listed / cUL Listed / cULus Listed

---

Ex Approvals


---

### Approval details

UL Listed		<a href="http://database.ul.com/cgi-bin/XYV/template/LISEXT/1FRAME/index.htm">http://database.ul.com/cgi-bin/XYV/template/LISEXT/1FRAME/index.htm</a>	FILE E 221474
Nominal voltage UN	24 V		
Nominal current IN	4 A		

# Sensor/actuator cable - SAC-3P-M12MS/5,0-PUR/M12FR2LBK - 1555457

## Approvals

cUL Listed		<a href="http://database.ul.com/cgi-bin/XYV/template/LISEXT/1FRAME/index.htm">http://database.ul.com/cgi-bin/XYV/template/LISEXT/1FRAME/index.htm</a>	FILE E 221474
Nominal voltage UN		24 V	
Nominal current IN		4 A	

cULus Listed	
--------------	---