

EMV nut - SACC-PG9-KD-NUT-SH - 1440177


Please be informed that the data shown in this PDF Document is generated from our Online Catalog. Please find the complete data in the user's documentation. Our General Terms of Use for Downloads are valid (<http://phoenixcontact.com/download>)



Product Description

EMC nut Pg9 required for shield contact with coated housing surfaces.

Key Commercial Data

Packing unit	1 pc
Minimum order quantity	10 pc
GTIN	 4 046356 483292
GTIN	4046356483292
Weight per Piece (excluding packing)	4.000 g
Custom tariff number	74153300
Country of origin	Germany

Technical data

General

Rated surge voltage	1.5 kV
Insertion/withdrawal cycles	> 100
Torque	2 Nm ... 3 Nm (Installation-side)
Mounting type	Threads Pg9

Material

Contact material	CuZn
Sealing material	FKM

EMV nut - SACC-PG9-KD-NUT-SH - 1440177

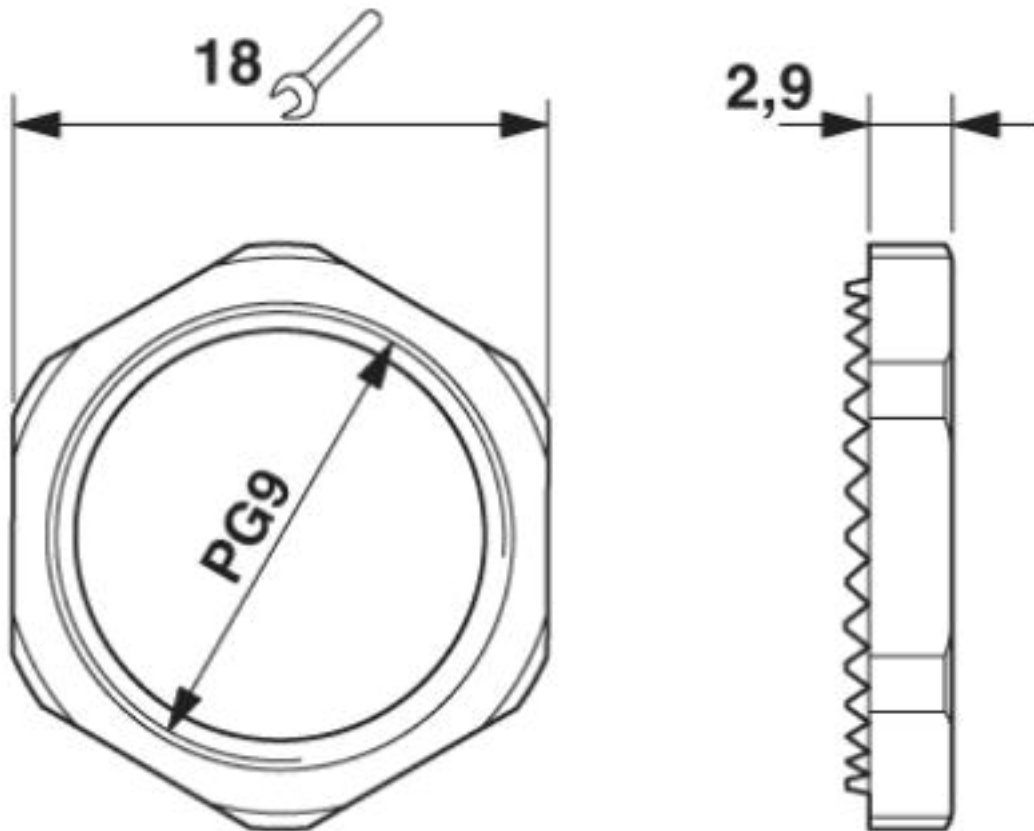
Technical data

Environmental Product Compliance

REACH SVHC	Lead 7439-92-1
China RoHS	Environmentally Friendly Use Period = 50 years
	For details about hazardous substances go to tab "Downloads", Category "Manufacturer's declaration"

Drawings

Dimensional drawing



Classifications

eCl@ss

eCl@ss 10.0.1	27440102
eCl@ss 4.0	27140800
eCl@ss 4.1	27140800

EMV nut - SACC-PG9-KD-NUT-SH - 1440177

Classifications

eCl@ss

eCl@ss 5.0	27143400
eCl@ss 5.1	27143400
eCl@ss 6.0	27279200
eCl@ss 7.0	27440103
eCl@ss 8.0	27440103
eCl@ss 9.0	27440102

ETIM

ETIM 3.0	EC000129
ETIM 4.0	EC000129
ETIM 5.0	EC002061
ETIM 6.0	EC002061

UNSPSC

UNSPSC 6.01	31251501
UNSPSC 7.0901	31251501
UNSPSC 11	31251501
UNSPSC 12.01	31251501
UNSPSC 13.2	39121413
UNSPSC 18.0	39121413
UNSPSC 19.0	39121413
UNSPSC 20.0	39121413
UNSPSC 21.0	39121413

Approvals

Approvals

Approvals

EAC

Ex Approvals

Approval details

EMV nut - SACC-PG9-KD-NUT-SH - 1440177

Approvals

EAC		B.01687
-----	---	---------