

## Connector - SACC-MS-5PL M SCO - 1424649

Please be informed that the data shown in this PDF Document is generated from our Online Catalog. Please find the complete data in the user's documentation. Our General Terms of Use for Downloads are valid (<http://phoenixcontact.com/download>)



Connector, 5-position, Plug straight M12 SPEEDCON, A-coded, Spring-cage connection, Knurl material: Zinc die-cast, nickel-plated, External cable diameter 4 mm ... 8 mm

### Why buy this product

- Safe use in the field, thanks to a high degree of protection
- Flexible: connectors for on-site assembly
- Save time, thanks to installation with SPEEDCON fast locking system
- Spring-cage connection: connect more securely, even in the case of shock and vibration, thanks to high contact forces
- Quick and easy installation, thanks to Push-in connection technology
- Easy tool free wiring with the push-in connection



### Key Commercial Data

Packing unit	1
GTIN	
GTIN	4055626374970

### Technical data

#### Dimensions

External cable diameter	4 mm ... 8 mm
Stripping length of the sheath	24 mm
Stripping length of the individual wire	8 mm

#### Ambient conditions

Ambient temperature (operation)	-40 °C ... 85 °C (Plug / socket)
Degree of protection	IP65
	IP67

# Connector - SACC-MS-5PL M SCO - 1424649

## Technical data

### General

Rated current at 40°C	4 A
Rated voltage	60 V
Number of positions	5
Insulation resistance	≥ 100 MΩ
Coding	A - standard
Standards/regulations	M12 connector IEC 61076-2-101
	Shock, vibration EN 50155:2001
Status display	No
Overvoltage category	II
Degree of pollution	3
Connection method	Spring-cage connection
Conductor cross section	0.14 mm <sup>2</sup> ... 0.75 mm <sup>2</sup>
	0.08 mm <sup>2</sup> ... 0.5 mm <sup>2</sup> (with ferrule)
Conductor cross section AWG	26 ... 18
	28 ... 20 (with ferrule)
Insertion/withdrawal cycles	≥ 100
Torque	0.4 Nm (M12 knurl)
	0.4 Nm (Connector with coupling sleeve)
	1.5 Nm (Pressure nut with coupling sleeve)
Assembly instructions	The wires can be connected both with ferrules and without ferrules

### Material

Flammability rating according to UL 94	V0
Contact material	CuSn
Contact surface material	Ni/Au
Contact carrier material	PA 6.6
Material of grip body	PA 66
Material, knurls	Zinc die-cast, nickel-plated
Sealing material	NBR

### Cable

Standards/specifications	M12 connector IEC 61076-2-101
	Shock, vibration EN 50155:2001

### Standards and Regulations

Standard designation	M12 connector
Standards/regulations	IEC 61076-2-101
Standard designation	Shock, vibration
Standards/regulations	EN 50155:2001

# Connector - SACC-MS-5PL M SCO - 1424649

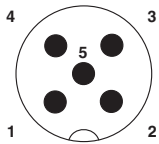
## Technical data

### Standards and Regulations

Flammability rating according to UL 94	V0
--	----

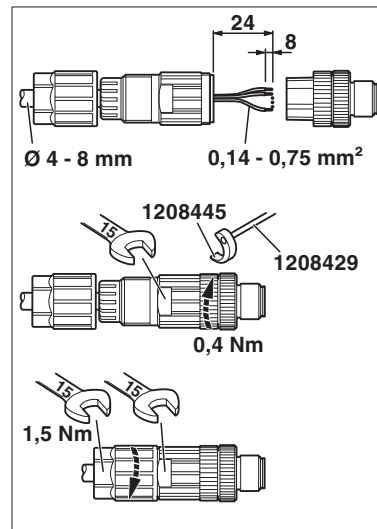
## Drawings

Schematic diagram

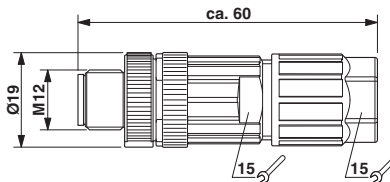


Pin assignment M12 male connector, 5-pos., A-coded, male side

Functional drawing



Dimensional drawing



M12 SPEEDCON plug, straight

## Approvals

Approvals

Approvals

EAC

## Connector - SACC-MS-5PL M SCO - 1424649

### Approvals

Ex Approvals

---

#### Approval details

EAC		EAC-Zulassung
-----	---	---------------