

Control cabinet feed-through - CUC-BH-M12D1PBK-A/R4BE - 1414397

Please be informed that the data shown in this PDF Document is generated from our Online Catalog. Please find the complete data in the user's documentation. Our General Terms of Use for Downloads are valid (<http://phoenixcontact.com/download>)




Control cabinet feed-through, M12, 4-pos., D-coded to RJ45 socket, socket entry: 90°, IP65/IP67

Your advantages

- ✓ Compact design
- ✓ 100 Mbps
- ✓ IP65/67
- ✓ UL



Key Commercial Data

Packing unit	1 pc
GTIN	 4 055626 166742
GTIN	4055626166742
Weight per Piece (excluding packing)	40.000 g
Custom tariff number	85366990
Country of origin	Germany

Technical data

Mechanical characteristics

Number of positions	4
Shielded	yes
Insertion/withdrawal cycles	≥ 100
Cable outlet	angled
Color	black
Mounting type	Rear mounting

Control cabinet feed-through - CUC-BH-M12D1PBK-A/R4BE - 1414397

Technical data

Mechanical characteristics

Degree of protection	IP65/IP67
Type	Angled

Ambient conditions

Ambient temperature (operation)	-25 °C ... 85 °C
---------------------------------	------------------

Material data

Flammability rating according to UL 94	V0
Housing material	PA
Contact material	Copper alloy

Electrical characteristics

Number of positions	4
Nominal voltage U_N	48 V
Nominal current I_N	0.5 A
Transmission characteristics (category)	CAT5 (IEC 11801:2002)
GRP transmission properties	Ethernet CAT5 (IEC 11801:2002) CAT5 (IEC 11801:2002)
Transmission speed	100 Mbps
Rated current	1.75 A
Rated voltage (III/3)	72 V (DC)

Standards and Regulations

Flammability rating according to UL 94	V0
--	----

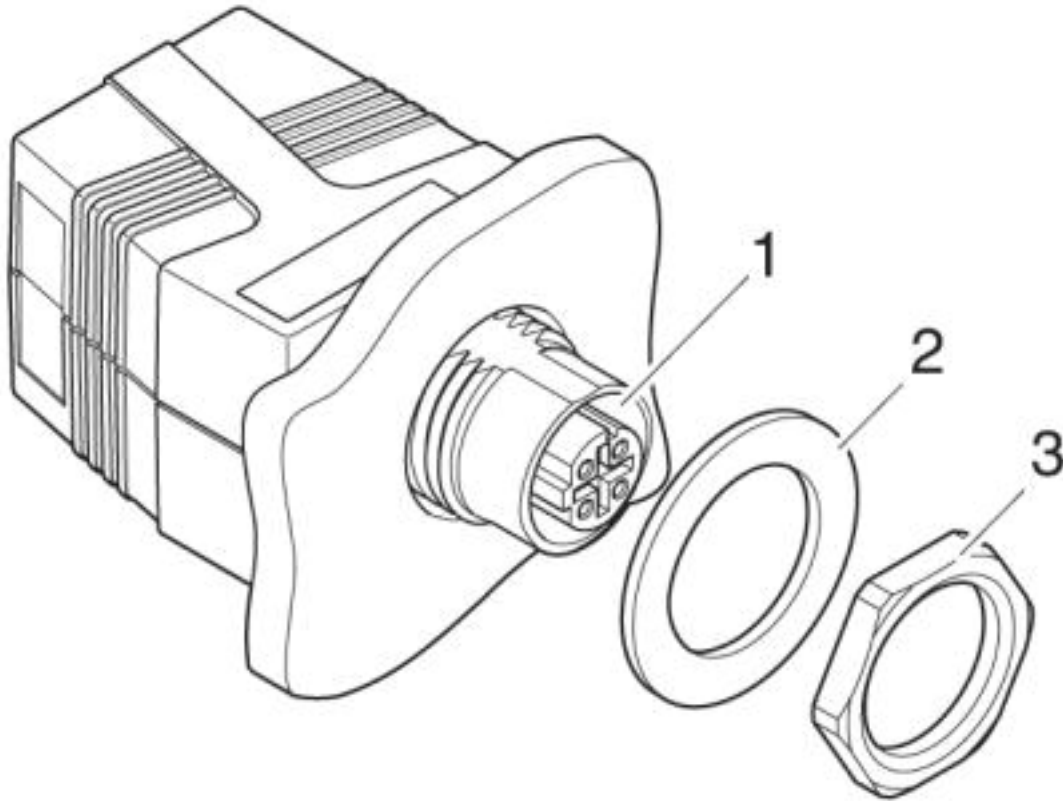
Environmental Product Compliance

	Lead 7439-92-1
China RoHS	Environmentally Friendly Use Period = 50
	For details about hazardous substances go to tab "Downloads", Category "Manufacturer's declaration"

Drawings

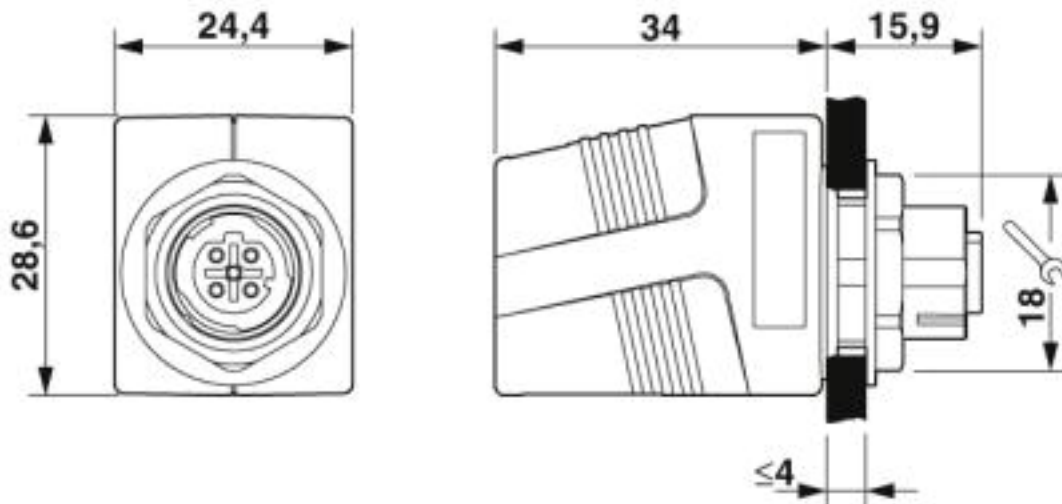
Control cabinet feed-through - CUC-BH-M12D1PBK-A/R4BE - 1414397

Exploded view



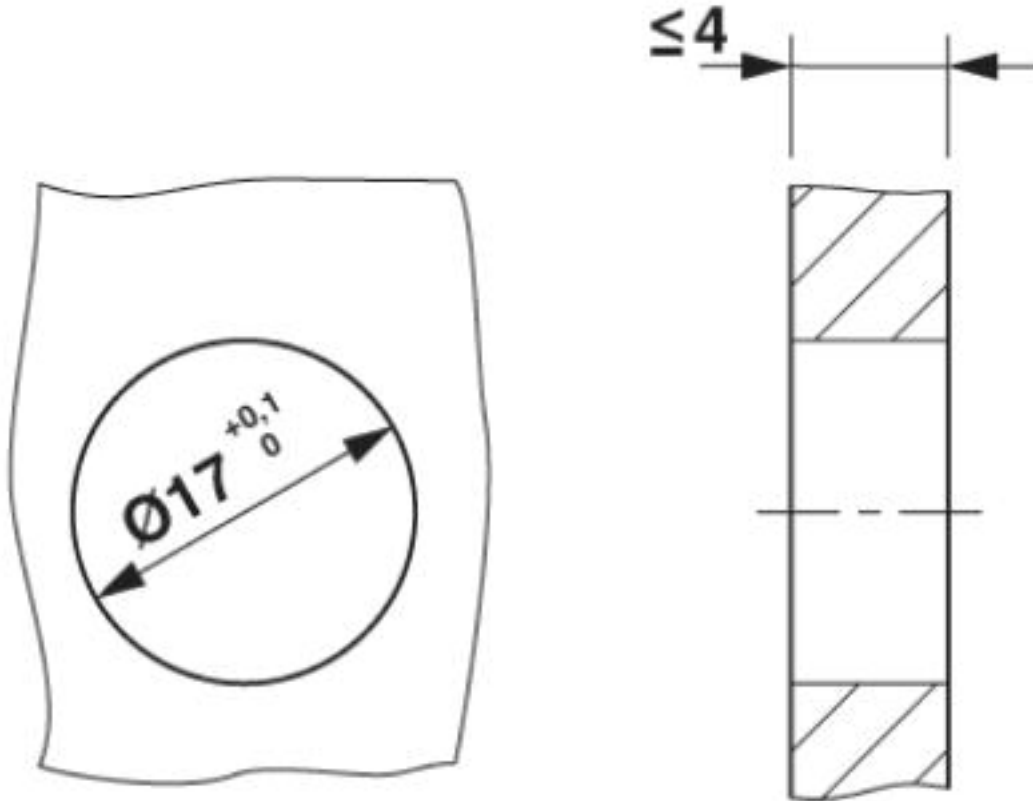
Exploded drawing

Dimensional drawing



Control cabinet feed-through - CUC-BH-M12D1PBK-A/R4BE - 1414397

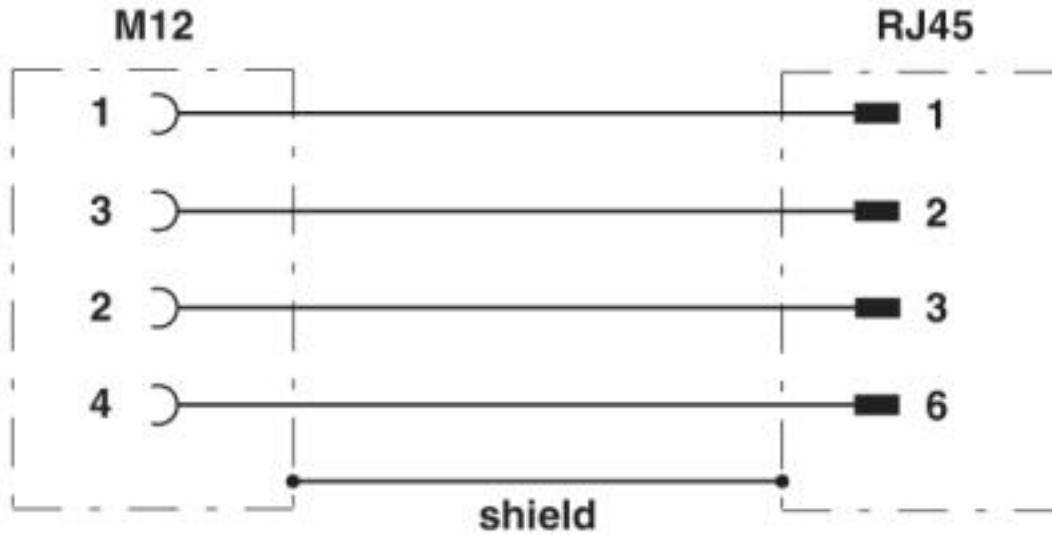
Dimensional drawing



Mounting cutout

Control cabinet feed-through - CUC-BH-M12D1PBK-A/R4BE - 1414397

Circuit diagram



Circuit diagram

Classifications

eCl@ss

eCl@ss 5.0	27141100
eCl@ss 5.1	27141100
eCl@ss 6.0	27141100
eCl@ss 7.0	27141134
eCl@ss 8.0	27141134
eCl@ss 9.0	27141134

ETIM

ETIM 5.0	EC001283
ETIM 6.0	EC001283
ETIM 7.0	EC001283

UNSPSC

UNSPSC 13.2	39121410
-------------	----------

Approvals

Approvals

Control cabinet feed-through - CUC-BH-M12D1PBK-A/R4BE - 1414397

Approvals

Approvals

UL Listed / cUL Listed / EAC / cULus Listed

Ex Approvals

Approval details

UL Listed		http://database.ul.com/cgi-bin/XYVV/template/LISEXT/1FRAME/index.htm	E335024-20140306
Nominal voltage UN		60 V	
Nominal current IN		0.5 A	

cUL Listed		http://database.ul.com/cgi-bin/XYVV/template/LISEXT/1FRAME/index.htm	E335024-20140306
Nominal voltage UN		60 V	
Nominal current IN		0.5 A	

EAC			B.01742
-----	--	--	---------

cULus Listed			
--------------	--	--	--