

Network cable - NBC-MS/ 0,5-94B/MS SCO US - 1408748


Please be informed that the data shown in this PDF Document is generated from our Online Catalog. Please find the complete data in the user's documentation. Our General Terms of Use for Downloads are valid (<http://phoenixcontact.com/download>)



Network cable, Ethernet CAT5 (1 Gbps), 8-position, PUR halogen-free, water blue RAL 5021, shielded, Plug straight M12 SPEEDCON / IP67, coding: A, on Plug straight M12 SPEEDCON / IP67, coding: A, cable length: 0.5 m



Key Commercial Data

| | |
|--------------------------------------|---|
| Packing unit | 1 pc |
| GTIN |  4 046356 828581 |
| GTIN | 4046356828581 |
| Weight per Piece (excluding packing) | 58.000 g |
| Custom tariff number | 85444210 |
| Country of origin | United States |

Technical data

Dimensions

| | |
|-----------------|-------|
| Length of cable | 0.5 m |
|-----------------|-------|

Ambient conditions

| | |
|---------------------------------|----------------------------------|
| Degree of protection | IP65 |
| | IP67 |
| Ambient temperature (operation) | -25 °C ... 85 °C (M12 connector) |

General data

| | |
|-----------------------|---|
| Rated current at 40°C | 2 A |
| Rated voltage | 48 V AC |
| | 60 V DC |
| Number of positions | 8 |
| Signal type/category | Ethernet CAT5 (on the basis of IEC 11801), 1 Gbps |

Network cable - NBC-MS/ 0,5-94B/MS SCO US - 1408748

Technical data

General data

| | |
|--------------------------|-------------------------------|
| Standards/regulations | M12 connector IEC 61076-2-101 |
| Contact material | CuSn |
| Contact carrier material | TPU GF |
| Contact surface material | Ni/Au |

Characteristics head 1

| | |
|-----------|-----------------------------------|
| Head type | Plug straight M12 SPEEDCON / IP67 |
| Coding | A (Standard) |

Characteristics head 2

| | |
|-----------|-----------------------------------|
| Head type | Plug straight M12 SPEEDCON / IP67 |
| Coding | A (Standard) |
| Color | black |

Standards and Regulations

| | |
|-----------------------|-----------------|
| Standard designation | M12 connector |
| Standards/regulations | IEC 61076-2-101 |

Cable

| | |
|---|--|
| Cable type | Ethernet, flexible, CAT5 |
| Cable type (abbreviation) | 94B |
| UL AWM style | 20963 (80°C/30 V) |
| Signal type/category | Ethernet CAT5 (IEC 11801), 1 Gbps |
| Cable structure | 4x2xAWG26/7; SF/UTP |
| Conductor cross section | 4x 2x 0.14 mm ² |
| AWG signal line | 26 |
| Conductor structure signal line | 7x 0.16 mm |
| Core diameter including insulation | 0.96 mm |
| Wire colors | white/blue-blue, white/orange-orange, white/green-green, white/brown-brown |
| Twisted pairs | 2 cores to the pair |
| Overall twist | 4 pairs for core |
| Shielding | Aluminum-coated foil, tinned copper braided shield |
| Optical shield covering | 70 % |
| External sheath, color | water blue RAL 5021 |
| Outer sheath thickness | 1.05 mm |
| External cable diameter D | 6.4 mm ±0.2 mm |
| Minimum bending radius, fixed installation | 4 x D |
| Minimum bending radius, flexible installation | 8 x D |
| Tensile strength GRP | ≤ 100 N |

Network cable - NBC-MS/ 0,5-94B/MS SCO US - 1408748

Technical data

Cable

| | | |
|---------------------------------------|--|----------------------|
| Cable weight | 47 kg/km | |
| Outer sheath, material | PUR | |
| Material conductor insulation | Foamed PE | |
| Conductor material | Bare Cu litz wires | |
| Insulation resistance | ≥ 500 MΩ*km | |
| Loop resistance | ≤ 290.00 Ω/km | |
| Cable capacity | 48 nF/km (at 1 kHz) | |
| Wave impedance | 100 Ω ±5 Ω (at 100 MHz) | |
| Near end crosstalk attenuation (NEXT) | 71.3 dB (with 1 MHz) | |
| | 62.3 dB (at 4 MHz) | |
| | 56.3 dB (at 10 MHz) | |
| | 53.2 dB (at 16 MHz) | |
| | 51.8 dB (at 20 MHz) | |
| | 48.9 dB (at 31.25 MHz) | |
| | 44.4 dB (at 62.5 MHz) | |
| | 41.3 dB (at 100 MHz) | |
| | Power-summated near end crosstalk attenuation (PSNEXT) | 62.3 dB (with 1 MHz) |
| | | 53.3 dB (at 4 MHz) |
| 47.3 dB (at 10 MHz) | | |
| 44.2 dB (at 16 MHz) | | |
| 42.8 dB (at 20 MHz) | | |
| 39.9 dB (at 31.25 MHz) | | |
| 35.4 dB (at 62.5 MHz) | | |
| Attenuation | 32.3 dB (at 100 MHz) | |
| | 3.2 dB (with 1 MHz) | |
| | 6 dB (at 4 MHz) | |
| | 9.5 dB (at 10 MHz) | |
| | 12.1 dB (at 16 MHz) | |
| | 13.6 dB (at 20 MHz) | |
| | 17.1 dB (at 31.25 MHz) | |
| Return loss (RL) | 24.8 dB (at 62.5 MHz) | |
| | 32 dB (at 100 MHz) | |
| | 23 dB (at 4 MHz) | |
| | 24.1 dB (at 8 MHz) | |
| | 25 dB (at 10 MHz) | |
| | 25 dB (at 16 MHz) | |
| | 25 dB (at 20 MHz) | |

Network cable - NBC-MS/ 0,5-94B/MS SCO US - 1408748

Technical data

Cable

| | |
|---|---|
| | 23.6 dB (at 31.25 MHz) |
| | 21.5 dB (at 62.5 MHz) |
| | 20.1 dB (at 100 MHz) |
| Signal runtime | 5.3 ns/m |
| Coupling resistance | ≤ 100.00 mΩ/m (at 10 MHz) |
| Nominal voltage, cable | ≤ 100 V |
| Test voltage Core/Core | 700 V (50 Hz, 1 min.) |
| Test voltage Core/Shield | 700 V (50 Hz, 1 min.) |
| Flame resistance | according to IEC 60332-1-2 |
| Halogen-free | according to IEC 60754-1 |
| Resistance to oil | according to EN 60811-2-1 |
| Ambient temperature (operation) | -40 °C ... 80 °C (cable, fixed installation) |
| | -20 °C ... 80 °C (cable, flexible installation) |
| Ambient temperature (installation) | -20 °C ... 80 °C |
| Ambient temperature (storage/transport) | -20 °C ... 80 °C |

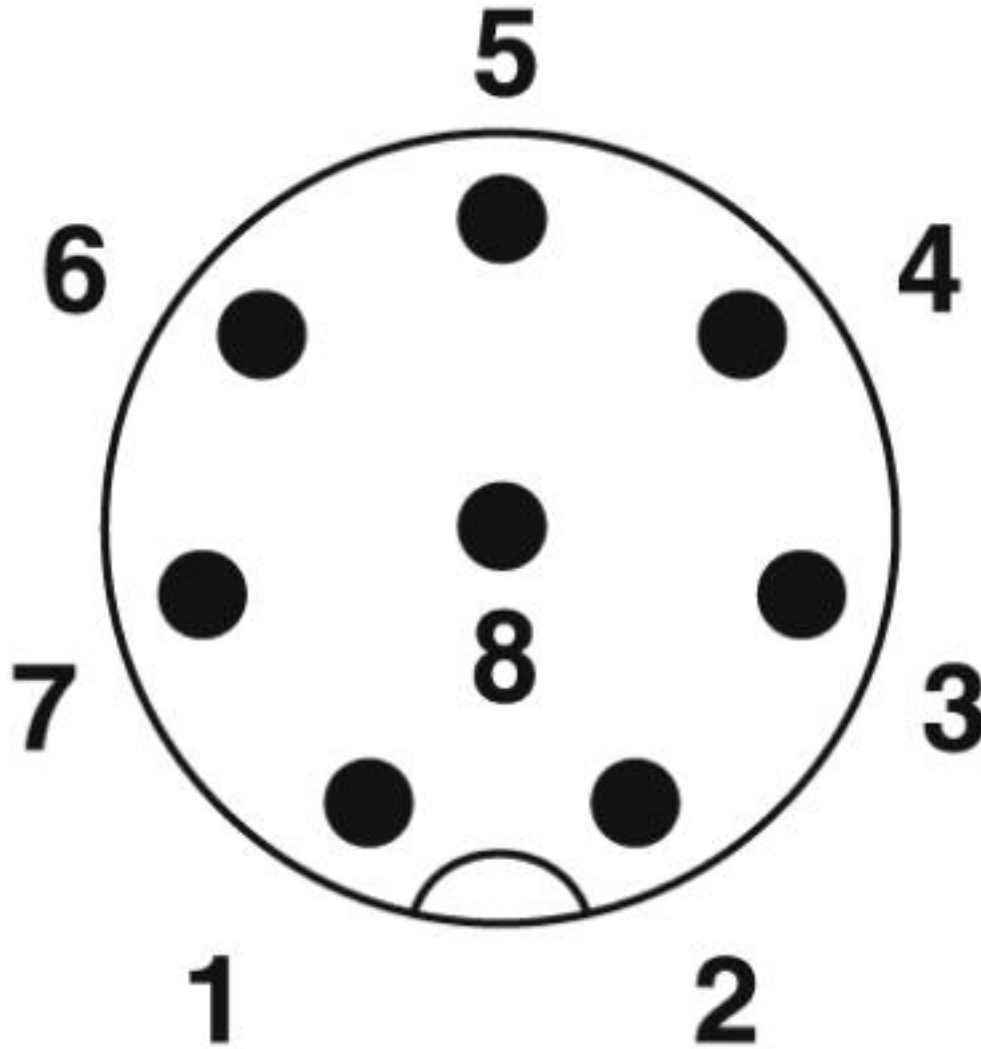
Environmental Product Compliance

| | |
|------------|---|
| | Lead 7439-92-1 |
| China RoHS | Environmentally friendly use period: unlimited = EFUP-e |
| | No hazardous substances above threshold values |

Drawings

Network cable - NBC-MS/ 0,5-94B/MS SCO US - 1408748

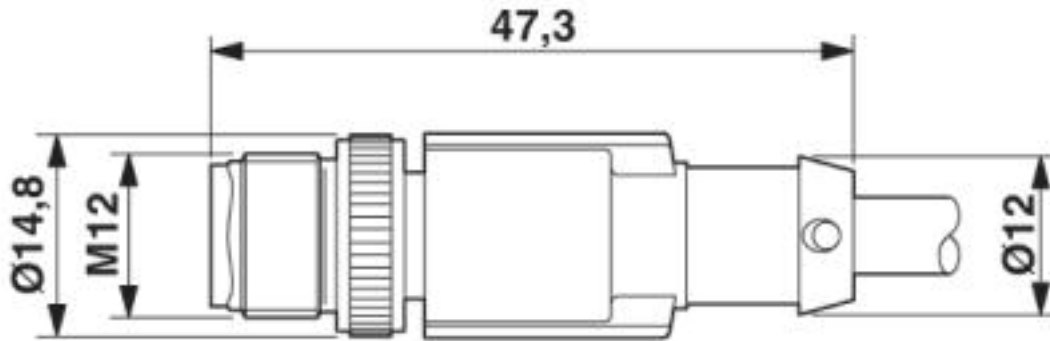
Schematic diagram



Pin assignment M12 plug, 8-pos., A-coded, view plug side

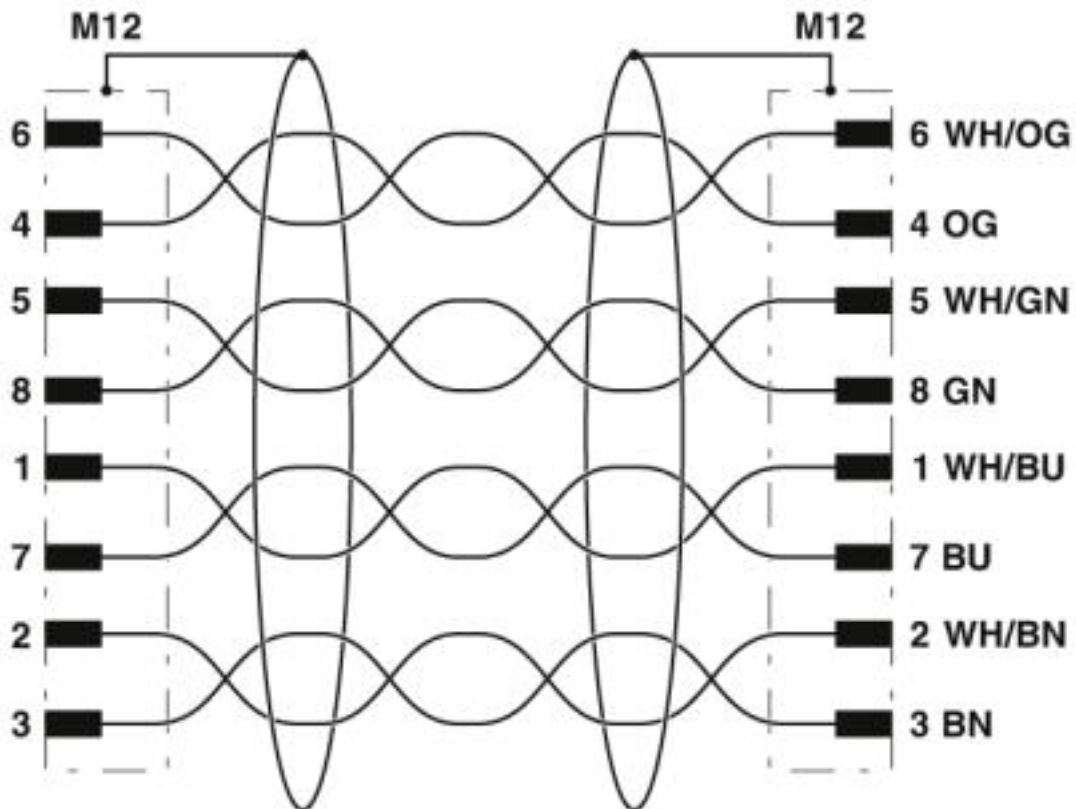
Network cable - NBC-MS/ 0,5-94B/MS SCO US - 1408748

Dimensional drawing



Plug, M12 x 1, straight, shielded

Circuit diagram



Contact assignment of the M12 plugs

Network cable - NBC-MS/ 0,5-94B/MS SCO US - 1408748

Cable cross section



Ethernet, flexible, CAT5 [94B]

Classifications

eCl@ss

| | |
|------------|----------|
| eCl@ss 4.0 | 24010400 |
| eCl@ss 4.1 | 24010400 |
| eCl@ss 5.0 | 19030300 |
| eCl@ss 5.1 | 19030300 |
| eCl@ss 6.0 | 27061800 |
| eCl@ss 7.0 | 27061801 |
| eCl@ss 8.0 | 27061801 |

Network cable - NBC-MS/ 0,5-94B/MS SCO US - 1408748

Classifications

eCl@ss

| | |
|------------|----------|
| eCl@ss 9.0 | 27060308 |
|------------|----------|

ETIM

| | |
|----------|----------|
| ETIM 3.0 | EC001855 |
| ETIM 4.0 | EC002599 |
| ETIM 5.0 | EC002599 |
| ETIM 6.0 | EC000830 |
| ETIM 7.0 | EC003249 |

UNSPSC

| | |
|---------------|----------|
| UNSPSC 6.01 | 31251501 |
| UNSPSC 7.0901 | 31251501 |
| UNSPSC 11 | 31251501 |
| UNSPSC 12.01 | 31251501 |
| UNSPSC 13.2 | 31251501 |

Approvals

Approvals

Approvals

UL Listed

Ex Approvals

Approval details

| | | | |
|--------------------|-------|---|---------------|
| UL Listed | | http://database.ul.com/cgi-bin/XYV/template/LISEXT/1FRAME/index.htm | FILE E 335024 |
| Nominal voltage UN | 30 V | | |
| Nominal current IN | 1.5 A | | |