

Sensor/actuator cable - SAC-3P-3,0-PUR/A-1L-R - 1400588

Please be informed that the data shown in this PDF Document is generated from our Online Catalog. Please find the complete data in the user's documentation. Our General Terms of Use for Downloads are valid (<http://phoenixcontact.com/download>)



Sensor/actuator cable, 3-position, PUR halogen-free, black-gray RAL 7021, free cable end, on Valve connector A, with 1 LED, connected with Damping diode, cable length: 3 m

Your advantages

- ✓ Easy and safe: 100% electrically tested plug-in components
- ✓ Robust valve connector with freewheeling diode as protective circuit
- ✓ Convenient: increased machine availability thanks to quick and easy diagnostics
- ✓ Our standard: robust halogen-free PUR cable

Key Commercial Data

| | |
|--------------------------------------|---|
| Packing unit | 1 pc |
| GTIN |  4 046356 510318 |
| GTIN | 4046356510318 |
| Weight per Piece (excluding packing) | 120.000 g |
| Custom tariff number | 85444290 |
| Country of origin | Poland |

Technical data

Dimensions

| | |
|-------------------------------|---------|
| Length of cable | 3 m |
| Central screw valve connector | M3 x 29 |

Ambient conditions

| | |
|---------------------------------|-------------------------------|
| Ambient temperature (operation) | -20 °C ... 85 °C (valve plug) |
| Degree of protection | IP65 |

Sensor/actuator cable - SAC-3P-3,0-PUR/A-1L-R - 1400588

Technical data

Ambient conditions

| | |
|--|------|
| | IP67 |
|--|------|

General

| | |
|------------------------------|-------------------------------|
| Rated current at 40°C | 2 A |
| Rated voltage | 24 V DC |
| Number of positions | 3 |
| Color handle area | black |
| Insulation resistance | ≥ 100 MΩ |
| Standards/regulations | Valve connector EN 175301-803 |
| Status display | 1 LED |
| Protective circuit/component | Damping diode |
| Overvoltage category | III |
| Degree of pollution | 3 |
| Torque | 0.6 Nm (Valve connector) |

Material

| | |
|--|-------------------|
| Flammability rating according to UL 94 | HB |
| Valve plug contact material | CuSn |
| Valve plug contact surface material | Sn |
| Valve plug contact insert material | PA 6.6 |
| Material housing valve plug | TPU |
| Sealing material | TPU (Seal molded) |

Standards and Regulations

| | |
|--|-----------------|
| Standard designation | Valve connector |
| Standards/regulations | EN 175301-803 |
| Flammability rating according to UL 94 | HB |

Cable

| | |
|------------------------------------|--------------------------------|
| Cable type | PUR halogen-free black |
| Cable type (abbreviation) | PUR |
| Cable abbreviation | Li9Y11Y-HF |
| UL AWM style | 20549 |
| Conductor cross section | 3x 0.5 mm ² |
| AWG signal line | 20 |
| Conductor structure signal line | 28x 0.15 mm |
| Core diameter including insulation | 1.5 mm ±0.05 mm (Signal line) |
| Wire colors | black 1, black 2, green/yellow |
| Overall twist | 3 wires, twisted |

Sensor/actuator cable - SAC-3P-3,0-PUR/A-1L-R - 1400588

Technical data

Cable

| | |
|---|--|
| External sheath, color | black-gray RAL 7021 |
| External cable diameter D | 4.5 mm ±0.2 mm |
| Smallest bending radius, fixed installation | 22.5 mm |
| Number of bending cycles | 15000000 |
| Bending radius | 50 mm |
| Traversing path | 0.9 m |
| Traversing rate | 5 m/s |
| Acceleration | 30 m/s ² |
| Outer sheath, material | PUR |
| Material conductor insulation | PP |
| Conductor material | Bare Cu litz wires |
| Insulation resistance | min. 20 MΩ*km |
| Conductor resistance | 39 Ω/km (at 20 °C) |
| Nominal voltage, cable | ≤ 300 V |
| Test voltage, cable | ≥ 1200 V |
| Flame resistance | according to DIN VDE 0482 |
| | According to DIN EN 50265-2-1 |
| Halogen-free | in accordance with DIN VDE 0472 part 815 |
| Other resistance | largely oil-resistant |
| | partly UV-resistant in accordance with DIN EN ISO 4892-2-A |
| Ambient temperature (operation) | -40 °C ... 80 °C (cable, fixed installation) |
| | -20 °C ... 80 °C (cable, flexible installation) |

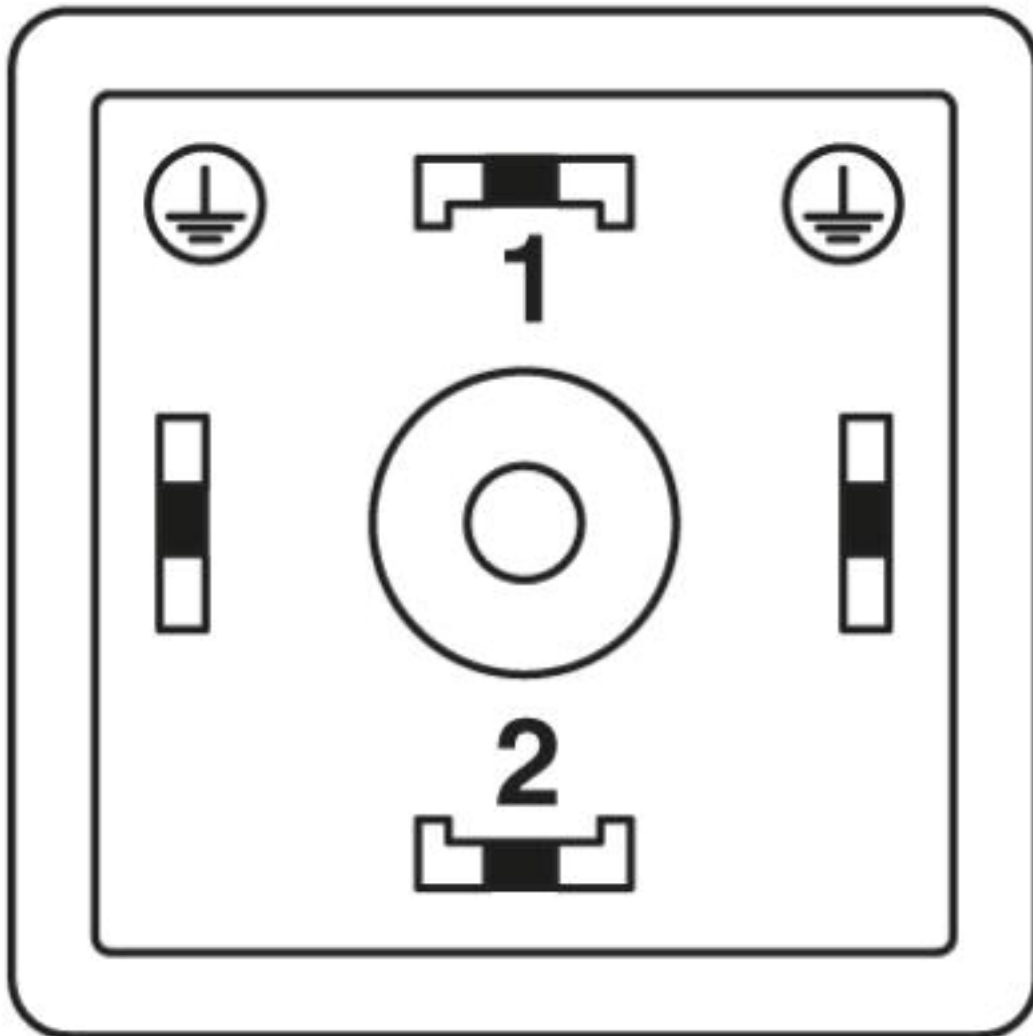
Environmental Product Compliance

| | |
|------------|---|
| China RoHS | Environmentally Friendly Use Period = 50 |
| | For details about hazardous substances go to tab "Downloads", Category "Manufacturer's declaration" |

Drawings

Sensor/actuator cable - SAC-3P-3,0-PUR/A-1L-R - 1400588

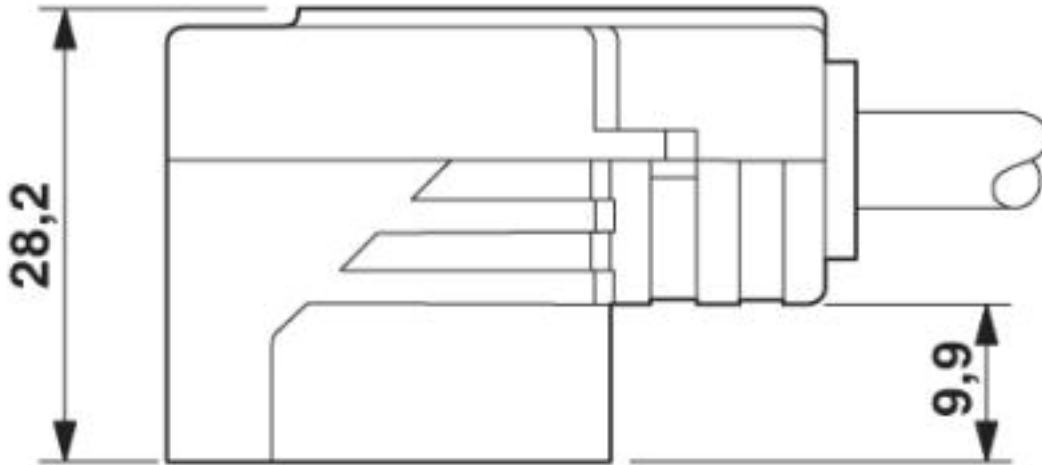
Schematic diagram



Valve connector pin assignment, type A

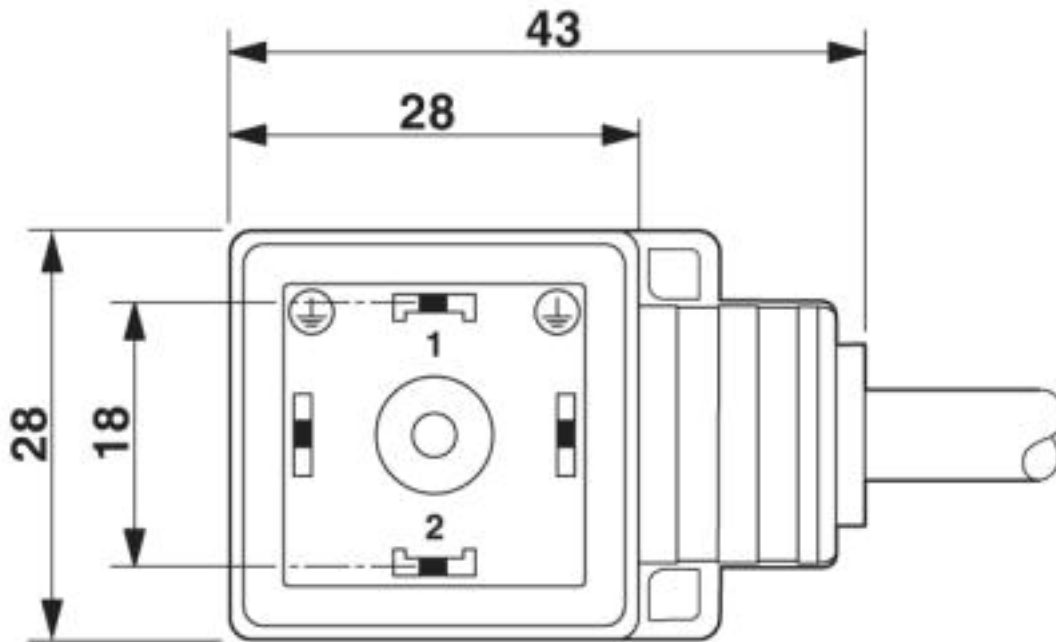
Sensor/actuator cable - SAC-3P-3,0-PUR/A-1L-R - 1400588

Dimensional drawing



Valve connector, type A, side view

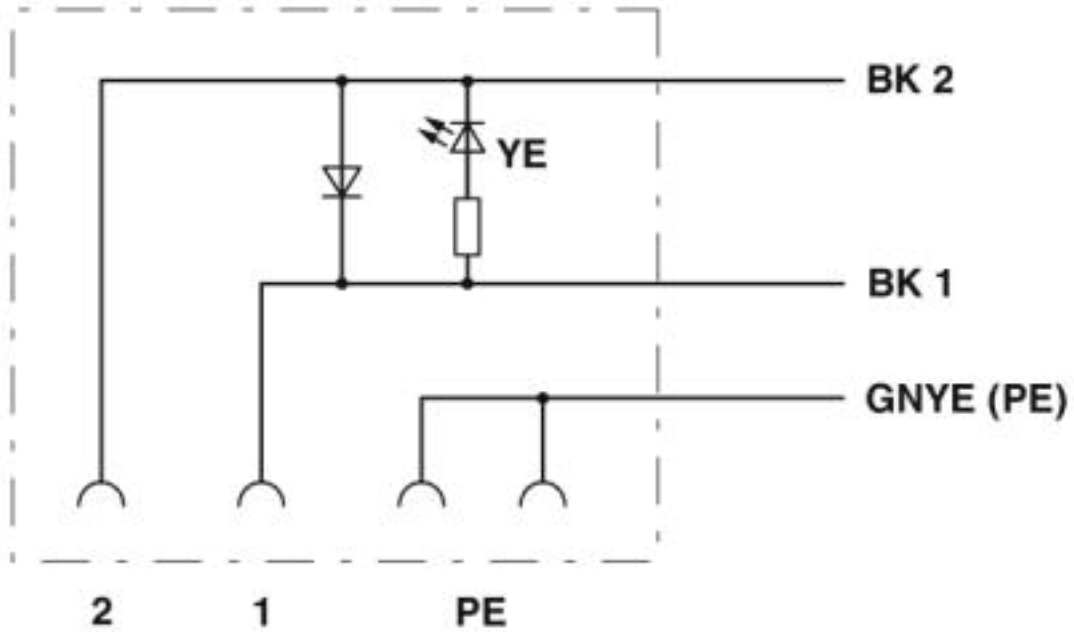
Dimensional drawing



Valve connector, type A

Sensor/actuator cable - SAC-3P-3,0-PUR/A-1L-R - 1400588

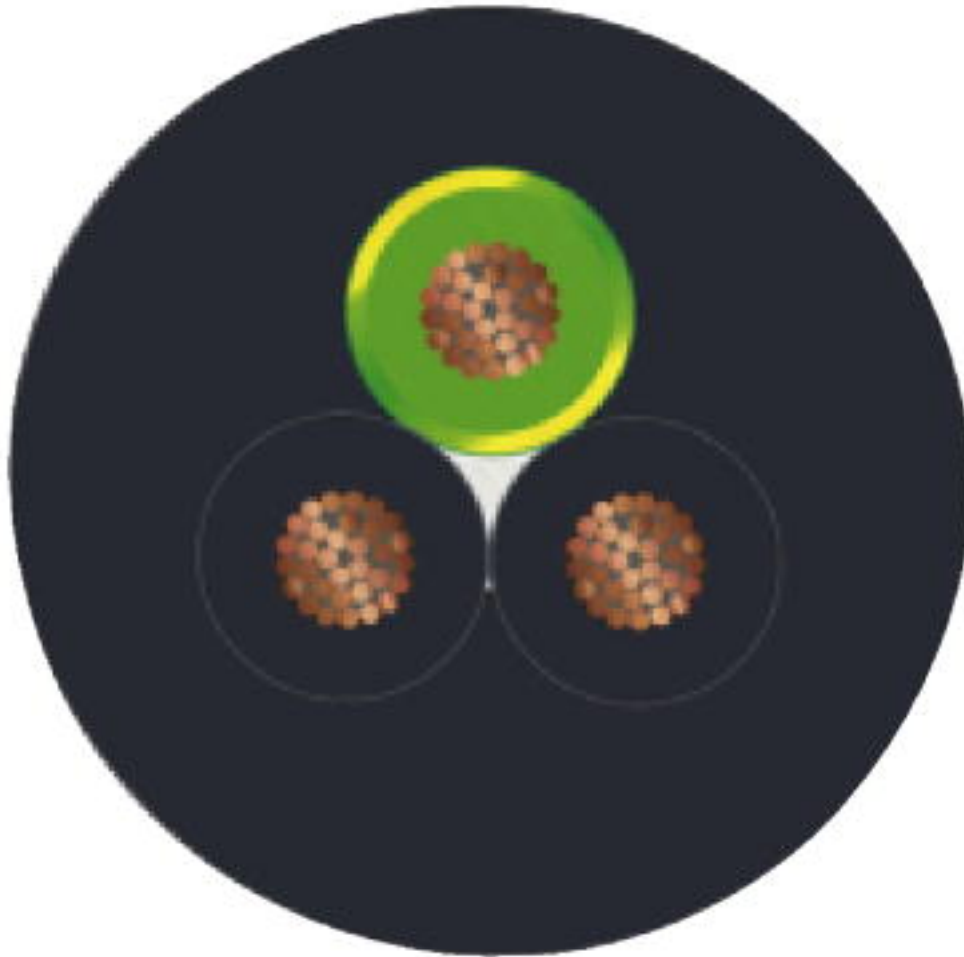
Circuit diagram



Contact assignment of the valve plug

Sensor/actuator cable - SAC-3P-3,0-PUR/A-1L-R - 1400588

Cable cross section



PUR halogen-free black [PUR]

Classifications

eCl@ss

| | |
|---------------|----------|
| eCl@ss 10.0.1 | 27060312 |
| eCl@ss 4.0 | 27060300 |
| eCl@ss 4.1 | 27060300 |
| eCl@ss 5.0 | 27061800 |
| eCl@ss 5.1 | 27061800 |
| eCl@ss 6.0 | 27279200 |
| eCl@ss 7.0 | 27279218 |

Sensor/actuator cable - SAC-3P-3,0-PUR/A-1L-R - 1400588

Classifications

eCl@ss

| | |
|------------|----------|
| eCl@ss 8.0 | 27279218 |
| eCl@ss 9.0 | 27060312 |

ETIM

| | |
|----------|----------|
| ETIM 3.0 | EC001855 |
| ETIM 4.0 | EC001855 |
| ETIM 5.0 | EC001855 |
| ETIM 6.0 | EC001855 |
| ETIM 7.0 | EC001855 |

UNSPSC

| | |
|---------------|----------|
| UNSPSC 6.01 | 31251501 |
| UNSPSC 7.0901 | 31251501 |
| UNSPSC 11 | 31251501 |
| UNSPSC 12.01 | 31251501 |
| UNSPSC 13.2 | 31251501 |
| UNSPSC 19.0 | 31251501 |
| UNSPSC 20.0 | 31251501 |
| UNSPSC 21.0 | 31251501 |

Approvals


Approvals

Approvals

CSA / CSAus / cCSAus

Ex Approvals

Approval details

| | | | |
|--------------------|---|---|-------|
| CSA |  | http://www.csagroup.org/services-industries/product-listing/ | 13631 |
| Nominal voltage UN | 24 V | | |
| Nominal current IN | 2 A | | |

Sensor/actuator cable - SAC-3P-3,0-PUR/A-1L-R - 1400588

Approvals

| | | | |
|--------------------|--|---|-------|
| CSAus | | http://www.csagroup.org/services-industries/product-listing/ | 13631 |
| Nominal voltage UN | | 24 V | |
| Nominal current IN | | 2 A | |

| | |
|--------|--|
| cCSAus | |
|--------|--|

Accessories

Accessories

Conductor marking

Insert label - PABA WH/23 - 1013779



Insert label, Strip, white, unlabeled, can be labeled with: CMS-P1-PLOTTER, mounting type: thread on, cable diameter range: 1.5 ... 35 mm, lettering field size: 23 x 4 mm, Number of individual labels: 20

Insert label - PABA YE/23 - 1013782



Insert label, Strip, yellow, unlabeled, can be labeled with: CMS-P1-PLOTTER, mounting type: thread on, cable diameter range: 1.5 ... 35 mm, lettering field size: 23 x 4 mm, Number of individual labels: 20

Corrugated pipe

Protective hose - WP-PA HF 13,0 BK - 3240681



Polyamide protective hose, inflammability class V0, UV resistant

Sensor/actuator cable - SAC-3P-3,0-PUR/A-1L-R - 1400588

Accessories

Protective hose - WP-PA HF-HB 13,0 BK - 3240839



Polyamide protective hose, inflammability class HB, UV resistant

Cutting tools

Diagonal cutter - CUTFOX-S VDE - 1212207



Diagonal cutter for hard (piano wire) and soft wires, VDE 1000 V AC/1500 V DC tested

Marker pen

Marker pen - B-STIFT - 1051993



Marker pen, for manual labeling of unprinted Zack strips, smear-proof and waterproof, line thickness 0.5 mm

Mounting material

Screw - SAC-V-SCREW-M3-29 KNURL - 1403779



Fillister head screw with plastic knurl, M3 x 40

Screwdriver tools

Sensor/actuator cable - SAC-3P-3,0-PUR/A-1L-R - 1400588

Accessories

Screw insert - SF-BIT-PH 1-70 - 1212582



Screw bit, PH crosshead, E6.3-1/4" drive, size: PH 1 x 70 mm, hardened, suitable for holder according to DIN 3126-F6.3/ISO 1173

Stripping tool

Stripping tool - WIREFOX SAC-1 - 1212757



Stripping pliers, for halogen-free sensor/actuator cables (SAC cables), with PUR and PVC insulation, from Ø of 3.2 to 4.4 mm, any stripping length

Stripping tool - WIREFOX SAC - 1212623



Stripping pliers, for halogen-free sensor/actuator cables (SAC cables), with PUR and PVC insulation, from Ø of 4.4 to 7 mm, any stripping length

Stripping tool - WIREFOX 10 - 1212150



Stripping tool, for cables and conductors from 0.02 - 10 mm², self-adjusting, stripping length of up to 18 mm, cutting capacity of up to 10 mm² stranded/1.5 mm² solid, replaceable stripping blade

Torque tool

Torque screwdriver - TSD-M 1,2NM - 1212224



Torque screw driver, accuracy as per EN ISO 6789 standard, adjustable from 0.3 - 1.2 Nm

Sensor/actuator cable - SAC-3P-3,0-PUR/A-1L-R - 1400588

Accessories

Protective hose adapter - WP-CTA POM 13,0 BK - 1422884



Protective hose adapter, for corrugated hoses with a nominal size of 13 (10 x 13), corrugated in parallel
